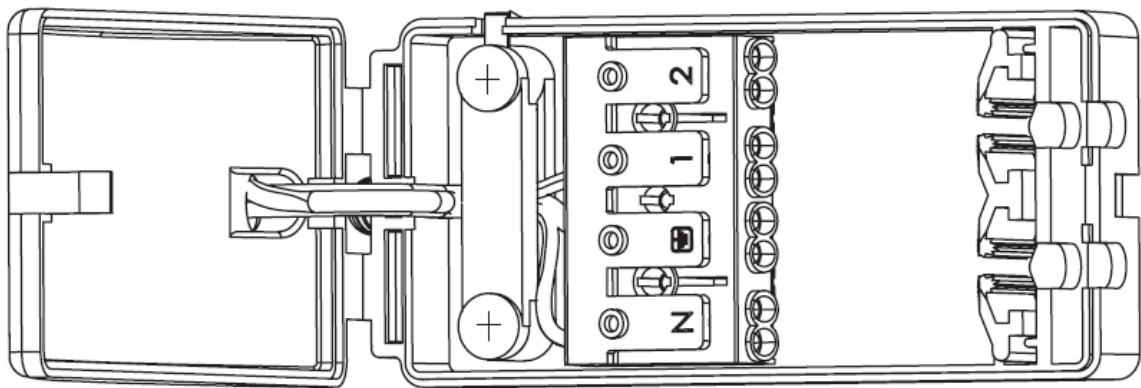
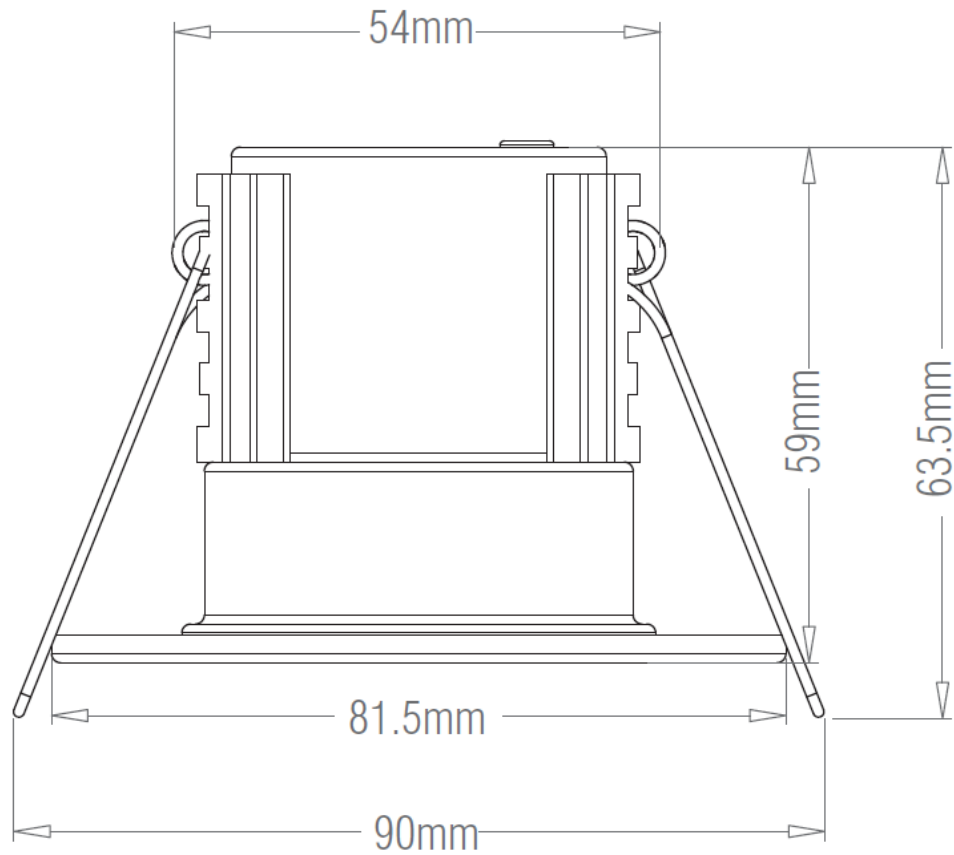




LED canopy spot light - fire rated, IP65 and dimmable. Tool-less and quick to install due to the 4 way push fit screwless terminal block. The 4W LED SMD module produces 500 lumens of cool white light from the anti-glare 60° lens. Slim profile with satin nickel finish.

Spec Data	
Product Wattage : 5W	SDCM : <6
Product Lumen : 500	Driver Type : Constant current 85mA
Lumen/W : 100	Inrush Current at Start Up : Max. 20A
Kelvin : 4000K	Product Voltage : 220-240V
Energy Rating : D	Hertz : 50/60
Dimmable : Yes	Cut Out : 57mm dia
Beam Angle : 60°	Minimum Cavity Depth : 62mm
Power Factor : 0.9	Operating Temp : -20° to 40°
CRI : 80	Product Weight (KG) : 0.19
Lifetime (Hours) : 30000	Terminal Block : 4-way quick fit
LED Type : SMD	Class : 2

Features	
2 years extended warranty	Satin nickel & clear acrylic finish
Constructed from steel & acrylic	Complete with integrated control gear
Fire rated to 30, 60, 90 minutes	Suitable for covering with insulation 270mm
IP65	Also suitable for bathroom zone 2



Quick fit