

Locking technology specialist



Product catalogue

2015

Locking technology specialist



Product catalogue

2015

Preface



For more than 90 years we have been putting our knowledge and our innovations at the service of companies of the locking industry and their customers. Regardless of heating applications, cold storages, medical or electromechanical appliances, we supply premium solutions to your locking problems as your faithful and reliable partner.

Thanks to you and your confidence in the products of Rahrbach, we have established a solid market position. We are convinced, that we will continue to manufacture today and tomorrow excellent locking technologies through our innovative spirit, combined with a high demanding technology challenge and the excellent competence of our team. Our benchmarks are the successful launches of our new developments, which will continuously satisfy the needs of our customers.

As your specialist for all questions of locking technology, our job has not finished when the goods are delivered. Rahrbach joins you for a longer term service agreement and a close cooperation.

That's what we are aiming for.

The management of Rahrbach GmbH

A handwritten signature in blue ink, appearing to read 'W. Taiber'.

Wolfgang Taiber

A handwritten signature in blue ink, appearing to read 'J. Schmidt'.

Joachim Schmidt

■ Rahrbach GmbH	Page 6
■ History	Page 7
■ Locking technology for cold storage	
Manuals	Page 10-11
Multifunctional locking systems	Page 22-27
Multiple pressing lever locking	Page 28
Cold room door locks	Page 29-33
Camlock	Page 34
Edge-mounted hinges	Page 35-47
Pinlock for sliding doors	Page 48
■ Locking technology for refrigerated furnishings	
Manuals	Page 10-11
Edge-mounted latches	Page 51-55
Surface-mounted latches	Page 56-57
Surface-mounted hinges	Page 58
Edge-mounted hinges	Page 59-60
Cylinder locks	Page 61-63
Catch locks	Page 64-65
Spring-loaded hinge	Page 66
Camlock	Page 67
■ Locking technology for heated applications	
Manuals	Page 70-71
Latching mechanism	Page 80-82
Pendulum latch	Page 83-84
Cam-action handle	Page 85
Press lever latches	Page 86-87
Drive-bolts latches	Page 88-90
Handle option	Page 91
Edge-mounted latches	Page 92-94
Electromagnetic latch	Page 95-96
Electromotoric latch	Page 97
Edge-mounted hinge	Page 98
Strike blocking unit	Page 99
■ Electromechanical locks	
Electromagnetic latches	Page 106-110
Electromotoric latches	Page 111-112
Click-closer	Page 113
Manuals	Page 114

Welcome to Rahrbach GmbH, Heiligenhaus

Rahrbach GmbH – Locking technology specialist

Rahrbach locking technology, founded in 1925 by Hubert Rahrbach, is an international operating manufacturer of locking systems, hinges and accessories for a wide range of applications. Conveniently situated between Düsseldorf, Essen and Wuppertal, around 100 employees work on the realisation of locking solutions to the benefit of our customers.

Administration and production areas of that full range supplier cover 4.000 sqm. Including prototype and tool shop, foundry, electroplating, grinding, locksmith and assembly.

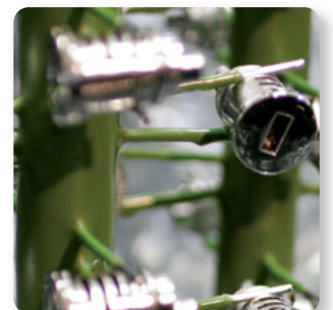
Commitment and creativity in development of new ideas and innovative products distinguish the market presentation of Rahrbach. Based on longterm know-how and by meeting even more challenging requirements, our highly qualified engineers permanently develop customer specific solutions. On-time prototypes support these functional and design-oriented developments. Completed by a wide ranging service, even at an early stage of the process lead to cost-oriented planning and optimization of the process parameters straight from the start.

The zinc die-casts are manufactured in a modern foundry, on machines with locking forces of 200 to 2000 kN. The high level of the process automation and from qualified personnel guarantee homogenous foundry.

The electroplating department meets latest standards in production and environmental technology and caters for stable processes for longlasting brightness and perfect surface protection. Besides our own range, we also refine chromium-plated die-cast components for automotive and sanitary industries.

As a full range supplier, our product range also includes other materials, surfaces and technologies, depending on customer request and technological demand. Rahrbach GmbH would be glad to demonstrate its competence to you as well.

- Certificates
- ISO 9001
 - ISO 14001
 - ISO 50001



Rahrbach GmbH – 1918 until today:

- 2015 You can already look forward to innovations of Rahrbach in 2012
- 2013 Certification of ISO 50001
- 2011 50th patent enrolled
- 2009 Certification of ISO 14001
- 2003 Wolfgang Taiber takes over Rahrbach GmbH as managing director and majority share holder
- 1995 Certification of ISO 9001
- 1994 Merger of H. Rahrbach & Son KG and Trumpf to Rahrbach GmbH
- 1990 Market launch DUPLO
- 1985 Market launch ERGO
- 1970 Market launch JUMBO
- 1960 Development of the first electromechanical closer for Miele laundry machines
- 1948 Trumpf moves from Velbert to Heiligenhaus
- 1925 Founding of Trumpf manufacturing of fittings and hinges, Velbert
 - Owner: Mr. Hubert Rahrbach
 - Range: Locks, hinges, die-cast components for automotive parts and domestic appliances.
- 1918 Founding of Rahrbach & Son KG, Heiligenhaus
 - Owner: Mr. Hubert Rahrbach
 - Range: Wholesale of mining products, wire cables, chains and lifting equipment



RAHRBACH
Verschlusstechnik

BETTER SAFE than sorry!

Limited temperature loss and protection against freeze-ups of the cold storage door thanks to Rahrbach's premium and high performing locking solutions.

Locking technology for cold storage

Multi-functional locking system



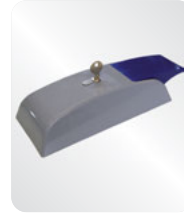
7503



7501



7101



7800



6000



6004

Cold storage latches

Camlock



0270

Edge-mounted hinges



4514



4000/1



4510/11

Edge-mounted hinges



4002/3



4004



4006



7514



4010



7805

Hinges



4296



4297



5000



7902

Pinlock (gastight)



7150

Multiple pressing lever locking



7505

Locking technology for cold storage

General instruction for RAHRBACH hardware for refrigerated furnishings and cold storage

Information on this page and other mediums of information pertaining to these items, are based on a single test with this product and article. The texts indicated in the catalog and website alone serve the description of the product and are not to be understood as characteristics in the sense of law. The determination of the life span as well as the definition of technical data take place in accordance with Rahrbach GmbH internal examinations following generally recognized regulations and/or standards.

Findings reported here, are unique and are subject to change with varying applications and are to be viewed as general guideline. Safety regulations concerning local application are to be examined by the customer in order to evaluate suitability of the product for the its intended use. We recommend to test products under actual conditions in order to evaluate its useability. This is especially important when used in the sense of a panic lock. The final user must be informed about handling, use, maintenance and servicing of latches, in particular with safety-related applications.

Inappropriate treatment, storage, maintenance, repair and/or influencing and/or subsequent treatment can lead to disturbances and damage during operation. We point out that Rahrbach GmbH does not accept liability if our products are changed, unless this is expressly permitted for specific case of application and being agreed upon in writing.

In case questions or problems occur in the field, the equipment manufacturer or Rahrbach is to be contacted immediately. It is recommended for the original equipment manufacturer to prepare a manual.

CE - Marking

CE – marking for the appliance, considering valid guidelines and standards, is to be issued by the equipment manufacturer, since our latches are only components of said equipment. Guidelines for production of manuals and instructions for devices are to be taken from valid standards and guidelines.

Mounting of latches

The choice of mounting method and choice of mounting material lies with the door manufacturer. Since the maximum strain on latches also depend on the nature of the mounting surface (i.e. metal sheet) and mounting materials depend on the material of the wall, frame or door, no mounting material will be supplied with our latches. The number of screws used and their alignment is to be determined by the door manufacturer depending on the door-application.

The condition of the door gasket can affect the life span of a hinge. Please ensure to examine the contact pressure close to the hinges.

Locking technology for cold storage

Mounting of hinges

- The choice of mounting method and choice of mounting material lies with the door manufacturer.
- Since the maximum strain on latches also depend on the nature of the mounting surface (i.e. metal sheet) and mounting materials depend on the material of the wall, frame or door, no mounting material will be supplied with our latches.
- The number of hinges to be used (2/3 or more) and their distance to each other, are to be chosen by the door manufacturer depending on the use.
- The condition of the door gasket can affect the life span of a hinge. Please ensure to examine the contact pressure close to the hinges.
- For height adjustable hinges, an even adjustment is important to prevent increased wear for the hinge curves.

Characteristics

- Use and positioning of door stoppers are to be examined by the door manufacturer for suitability. A door wedging with foreign material between door gap and framework is considered inappropriate.
- Please consider the maximum opening angle of the hinges, in order to prevent destruction at the hinge or its attachment.
- The maximum indicated door weights are related to use of at least 2 hinges and contain total weight of the door including all components, e.g. latches, shieldings and other installations.
- All latches and hinges are RoHS compliant.
- Parts illustrated blue in the catalogue sheet, are not part of our scope of supply and are optional. If necessary, these parts can be ordered specially with Rahrbach or to be produced by the client.

Your opinion

With utmost accuracy, we have tried to list all important figures, data, facts and findings for you.

Should you have any additions, critical notes or field experiences in the use of our products, or should you even be dissatisfied, we kindly ask you to let us know immediately.

E-mail address: info@rahrbach.de | Website: www.rahrbach.de



NEW!

Multi-functional locking system

Series 7503 | NITRO

Locking technology for cold storage

Multi-functional locking system | Series 7503 | NITRO

- Modern turning lever latch for high standards
- Multiple latching variations by modular design
- Ideal for cold storage rooms
- Quick and easy assembly
- Integrated adaptation to varying door thickness tolerances
- To be used with right- and left-hinged doors
- Lockable and ready for master-key systems, KABA-Version available
- Diversity of keys available
- Standard door thicknesses 80 - 200 mm
- Material: Handle - stainless steel; Housing - plastic; Inner parts - stainless steel

Outside handle geared for the following door thicknesses:



door thickness	handle stainless steel / insert black
80 mm	Art.-Nr. 7503-020080
90 mm	Art.-Nr. 7503-020090
100 mm	Art.-Nr. 7503-020100
110 mm	Art.-Nr. 7503-020110
120 mm	Art.-Nr. 7503-020120
130 mm	Art.-Nr. 7503-020130
140 mm	Art.-Nr. 7503-020140
160 mm	Art.-Nr. 7503-020160
180 mm	Art.-Nr. 7503-020180
200 mm	Art.-Nr. 7503-020200



Angular press lever, multiple locking, M = 80 mm:

right hand Art.-Nr. 7500-020010
left hand Art.-Nr. 7500-020011



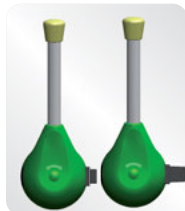
Angular press lever, multiple locking, M = 100 mm:

right hand Art.-Nr. 7500-020012
left hand Art.-Nr. 7500-020013

Variations of turning handle inside-openers:



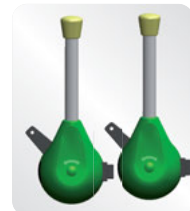
Handle with catch lock, M = 80 mm:
Art.-Nr. 7503-020220



Press lever:
M = 80 mm:
Art.-Nr. 7503-020221
M = 100 mm:
Art.-Nr. 7501-020231



For doors opening to inside:
Art.-Nr. 7503-020235



Press lever, multiple locking:
M = 80 mm:
right hand Art.-Nr. 7501-020222
left hand Art.-Nr. 7501-020223
M = 100 mm:
right hand Art.-Nr. 7501-020232
left hand Art.-Nr. 7501-020233

Accessories:



Locking cam for inside opener:
Art.-Nr. 7101-020061



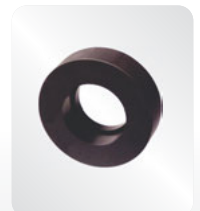
Spacer for locking cam, 3 mm:
Art.-Nr. 7500-020062



Strike for doors opening to inside, 74 mm:
right hand Art.-Nr. 7101-020520
left hand Art.-Nr. 7101-020521



Fastening bolt for push-rod, multiple locking:
Art.-Nr. 7101-020080



Spacer:
Art.-Nr. 7501-020063



NEW!

Multiple pressing lever locking
Series 7505 | ROBUSTO

Locking technology for cold storage

Multiple pressing lever locking | Series 7505 | ROBUSTO

- Ideal locking system for extreme temperatures (i.e. testing chambers, shock froster, etc.)
- To be used with single- or multiple-point locking
- Multiple latching variations by modular design
- Options for customization available
- Complementary handle options NITRO and VITRO
- Material: Outside handle - stainless steel/plastic, Inside parts - stainless steel

Outside handle geared for the following door thicknesses:

door thickness	handle stainless steel / insert black
80 mm	Art.-Nr. 7503-020080
90 mm	Art.-Nr. 7503-020090
100 mm	Art.-Nr. 7503-020100
110 mm	Art.-Nr. 7503-020110
120 mm	Art.-Nr. 7503-020120
130 mm	Art.-Nr. 7503-020130
140 mm	Art.-Nr. 7503-020140
160 mm	Art.-Nr. 7503-020160
180 mm	Art.-Nr. 7503-020180
200 mm	Art.-Nr. 7503-020200

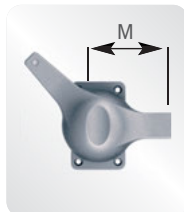
Other option:

door thickness	handle grey / insert black
80 mm	Art.Nr 7501-020080
90 mm	Art.Nr 7501-020090
100 mm	Art.Nr 7501-020100
110 mm	Art.Nr 7501-020110
120 mm	Art.Nr 7501-020120
130 mm	Art.Nr 7501-020130
140 mm	Art.Nr 7501-020140
160 mm	Art.Nr 7501-020160
180 mm	Art.Nr 7501-020180
200 mm	Art.Nr 7501-020200

Inside handle:



Multiple pressing lever locking:
for right handed (hinged) doors
Art.-Nr. 7505-020010
for left handed (hinged) doors
Art.-Nr. 7505-020011



Angular pressing lever :
for right handed (hinged) doors
Art.-Nr. 7505-020020
for left handed (hinged) doors
Art.-Nr. 7505-020021

(may be shortened to dimension of M= 80 mm)

Option:



Frame part:
Art.-Nr. 7505-020060



Fastening bolt for push-rod,
multiple locking:
Art.-Nr. 7101-020080



NEW!

Leaf hinge

Series 5000 | Lift-off

Locking technology for cold storage

Leaf hinge | Series 5000 | Lift-off

- Robust stainless steel hinge for flash doors
- For coldroom doors, service doors, fire proof doors
- Rising
- Lift-off
- Theft protection
- Adjustability in two dimension
- Door weight capacity of 80 kg or as heavy duty version 120 kg using 2 hinges
- Material: Stainless steel

Variations:



Lift-off hinge, right hand rising
Art.-Nr. 5000-020011

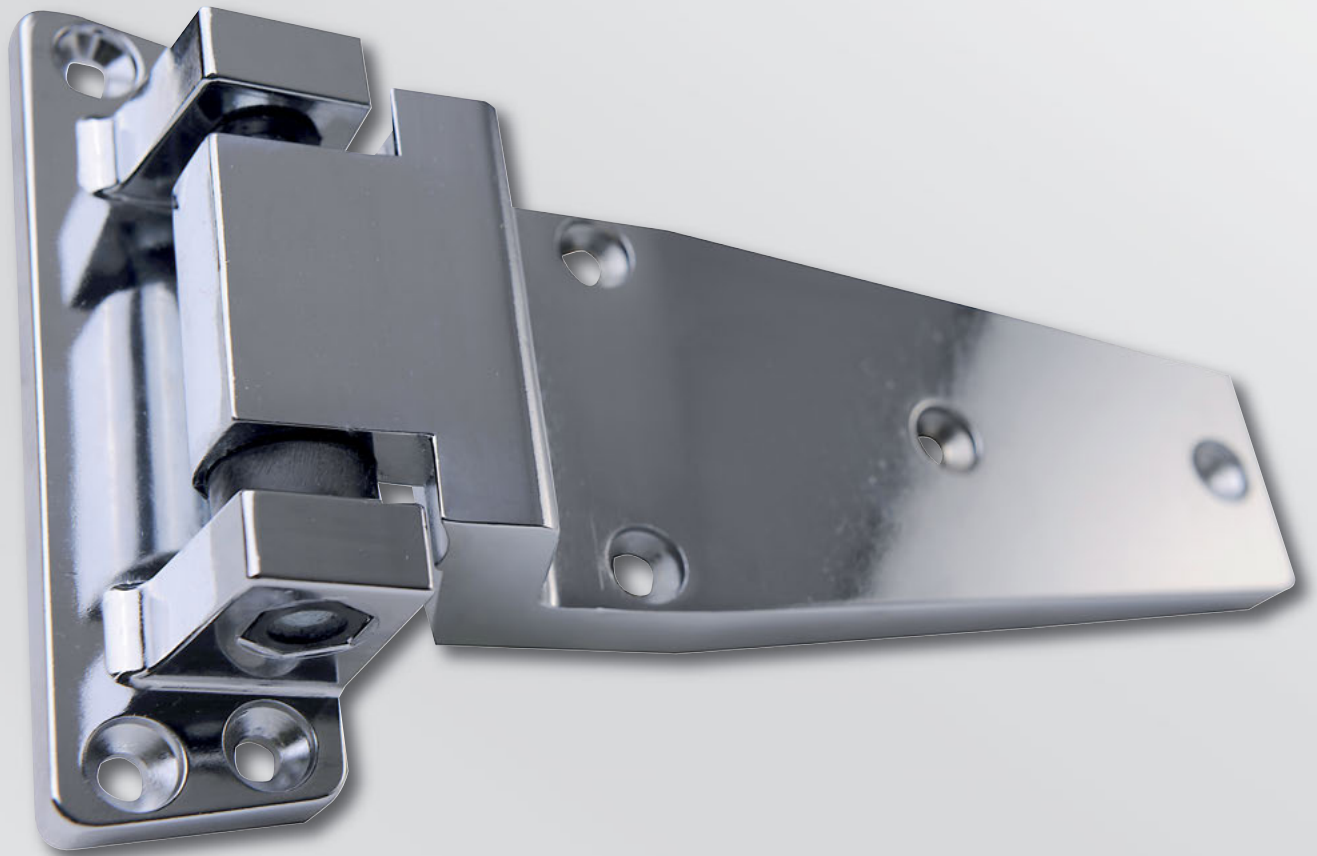


Lift-off hinge, left hand rising
Art.-Nr. 5000-020021



Exploded view

* heavy duty version upon request



NEW!

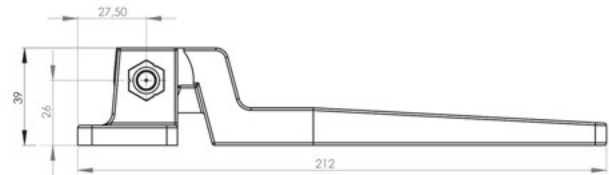
Leaf hinge

Series 4297 | Flash doors

Locking technology for cold storage

Leaf hinge | Series 4297

- High-performance hinge for flush doors
- For cold rooms and many more applications
- Rising
- Door weight capacity max. 80 kg using 2 hinges
- Material: Zinc die-cast



Surface finishes:



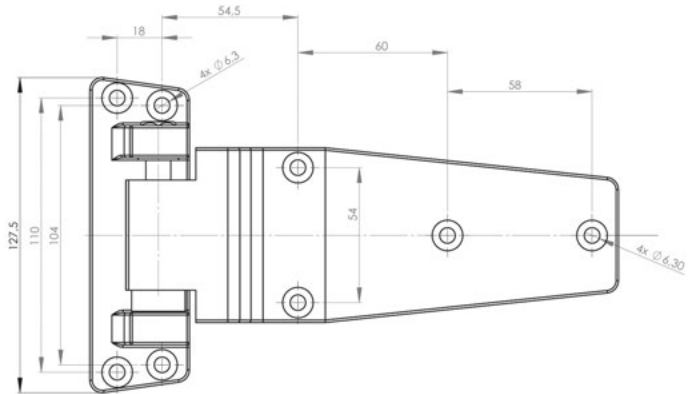
Chromium-plated, left hand rising:
Art.-Nr. 4297-020021

Chromium-plated, right hand rising:
Art.-Nr. 4297-020020



Grey (RAL 7001), left hand rising:
Art.-Nr. 4297-020011

Grey (RAL 7001), right hand rising:
Art.-Nr. 4297-020010





NEW!

Pinlock (gas-tight)

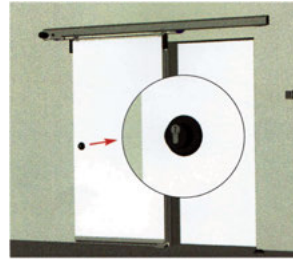
Series 7150

Locking technology for cold storage

Pinlock (gas-tight) | Series 7150

- Solid, gas-tight latch for sliding doors
- For cold storage and other applications
- For door thicknesses 80 - 200 mm
- Ready for master key systems, KABA-Versions available
- Profile locking cylinder
- No freeze-ups due to gas-tight construction
- Material: Housing, pin - plastic

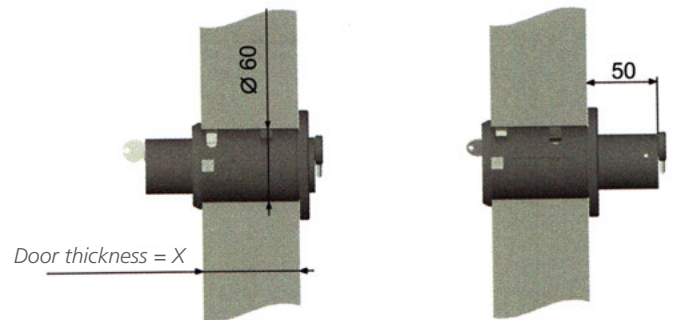
Example of use:



Pinlock:



X = 80 mm	Art.-Nr. 7150-020080
X = 100 mm	Art.-Nr. 7150-020100
X = 120 mm	Art.-Nr. 7150-020120
X = 140 mm	Art.-Nr. 7150-020140
X = 160 mm	Art.-Nr. 7150-020160



Option:

Status report (Reed-Switch):

X = 80 mm	Art.-Nr. 7150-020081
X = 100 mm	Art.-Nr. 7150-020101
X = 120 mm	Art.-Nr. 7150-020121
X = 140 mm	Art.-Nr. 7150-020141
X = 160 mm	Art.-Nr. 7150-020161



Status report (Reed switch) with 0,5 m wire*

Art.-Nr. 7150-020081



Spacer ring, 5 mm for adaptation to varying door thicknesses:

Art.-Nr. 7150-020005

*more versions upon request

NEW!

Locking technology for cold storage

Multi-functional locking system | Series 7503 | NITRO



- Modern turning lever latch for high standards
- Multiple latching variations by modular design
- Ideal for cold storage rooms
- Quick and easy assembly
- Integrated adaptation to varying door thickness tolerances
- To be used with right- and left-hinged doors
- Lockable and ready for master-key systems, KABA-Versions available
- Diversity of keys available
- Standard door thicknesses 80 - 200 mm
- Material: Handle - stainless steel; Housing - plastic; Inner parts - stainless steel

Outside handle geared for the following door thicknesses:



door thickness	handle stainless steel / insert black
80 mm	Art.-Nr. 7503-020080
90 mm	Art.-Nr. 7503-020090
100 mm	Art.-Nr. 7503-020100
110 mm	Art.-Nr. 7503-020110
120 mm	Art.-Nr. 7503-020120
130 mm	Art.-Nr. 7503-020130
140 mm	Art.-Nr. 7503-020140
160 mm	Art.-Nr. 7503-020160
180 mm	Art.-Nr. 7503-020180
200 mm	Art.-Nr. 7503-020200



Angular press lever, multiple locking, M = 80 mm:

right hand Art.-Nr. 7500-020010
left hand Art.-Nr. 7500-020011



Angular press lever, multiple locking, M = 100 mm:

right hand Art.-Nr. 7500-020012
left hand Art.-Nr. 7500-020013

Variations of turning handle inside-openers:



Handle with catch lock, M = 80 mm:

Art.-Nr. 7503-020220



Press lever:

M = 80 mm:

Art.-Nr. 7501-020221

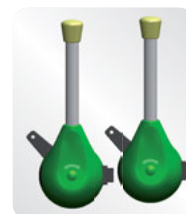
M = 100 mm:

Art.-Nr. 7501-020231



For door opening to inside:

Art.-Nr. 7503-020235



Press lever, multiple locking:

M = 80 mm:

right hand Art.-Nr. 7501-020222

left hand Art.-Nr. 7501-020223

M = 100 mm:

right hand Art.-Nr. 7501-020232

left hand Art.-Nr. 7501-020233

Accessories:



Locking cam for inside opener:

Art.-Nr. 7101-020061



Spacer for locking cam, 3 mm:

Art.-Nr. 7500-020062



Strike for doors opening to inside, 74 mm:

right hand Art.-Nr. 7101-020520

left hand Art.-Nr. 7101-020521



Fastening bolt for push-rod, multiple locking:

Art.-Nr. 7101-020080



Spacer:

Art.-Nr. 7501-020063

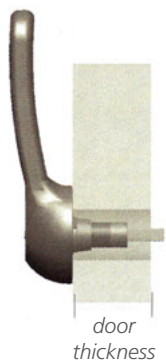
Locking technology for cold storage

Multi-functional locking system | Series 7501 | VITRO



- Modern turning lever latch for high standards
- Multiple latching variations by modular design
- Ideal for cold storage rooms
- Quick and easy assembly
- Integrated adaptation to varying door thickness tolerances
- To be used with right- and left-hinged doors
- Lockable and ready for master-key systems, KABA-Versions available
- Diversity of keys available
- Standard door thicknesses 80 - 200 mm
- Material: Handle - plastic; Mechanical parts - zinc die-cast, cathodic dip painted (black), galvanized steel, stainless steel

Outside handle geared for the following door thicknesses:



door thickness	handle grey / insert black
80 mm	Art.Nr 7501-020080
90 mm	Art.Nr 7501-020090
100 mm	Art.Nr 7501-020100
110 mm	Art.Nr 7501-020110
120 mm	Art.Nr 7501-020120
130 mm	Art.Nr 7501-020130
140 mm	Art.Nr 7501-020140
160 mm	Art.Nr 7501-020160
180 mm	Art.Nr 7501-020180
200 mm	Art.Nr 7501-020200



Angular press lever,
multiple locking, M = 80 mm:

right hand Art.-Nr. 7500-020010
left hand Art.-Nr. 7500-020011



Angular press lever,
multiple locking, M = 100 mm:

right hand Art.-Nr. 7500-020012
left hand Art.-Nr. 7500-020013

Variations of turning handle inside-openers:



Handle with catch lock,
M = 80 mm:
Art.-Nr. 7501-020220



Press lever:
M = 80 mm:
Art.-Nr. 7501-020221
M = 100 mm:
Art.-Nr. 7501-020231



For doors opening to inside:
Art.-Nr. 7501-020235



Press lever, multiple locking:
M = 80 mm:
right hand Art.-Nr. 7501-020222
left hand Art.-Nr. 7501-020223
M = 100 mm:
right hand Art.-Nr. 7501-020232
left hand Art.-Nr. 7501-020233

Accessories:



Locking cam for
inside opener:
Art.-Nr. 7101-020061



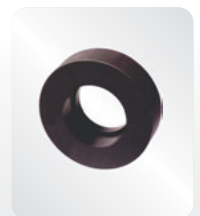
Spacer for locking cam, 3 mm:
Art.-Nr. 7500-020062



Strike for doors opening
to inside, 74 mm
right hand Art.-Nr. 7101-020520
left hand Art.-Nr. 7101-020521



Fastening bolt for push-rod,
multiple locking:
Art.-Nr. 7101-020080



Spacer:
Art.-Nr. 7501-020063

Locking technology for cold storage

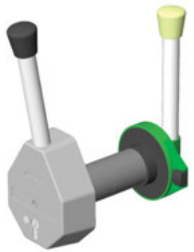
Multi-functional locking system | Series 7101 | TURNO



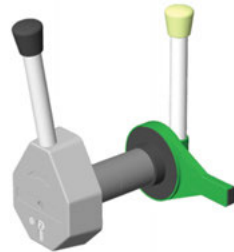
- Stainless steel turning handle
- For cold storage doors
- For door thicknesses 60 - 200 mm
- Many suitable inside opener variations
- Different keys available
- Multiple latching variations by modular design
- Easy assembly with colour-coded adapter-set and convenient bayonet catch
- Material: Stainless steel, zinc die-cast, plastic



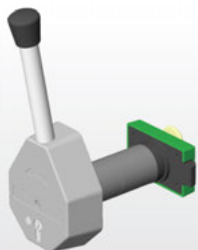
TURNO with variations of inside-openers:



Press lever



Press lever for door opening to inside



Push opener



Multiple locking

Locking technology for cold storage

Multi-functional locking system | Series 7101 | TURNO

Outside handle with profile locking cylinder (key number 1001):



Cap, black, circular:

right hand Art.-Nr. 7101-021290
left hand Art.-Nr. 7101-021291



Cap, grey, circular:

right hand Art.-Nr. 7101-021300
left hand Art.-Nr. 7101-021301



Cap, red, circular:

right hand Art.-Nr. 7101-021270
left hand Art.-Nr. 7101-021271



Cap, blue, circular:

right hand Art.-Nr. 7101-021280
left hand Art.-Nr. 7101-021281

Cap, black, angular:

right hand Art.-Nr. 7101-021200
left hand Art.-Nr. 7101-021201

Cap, grey, angular:

right hand Art.-Nr. 7101-021220
left hand Art.-Nr. 7501-021221

Cap, red, angular:

right hand Art.-Nr. 7101-021260
left hand Art.-Nr. 7101-021261

Cap, blue, angular:

right hand Art.-Nr. 7101-021210
left hand Art.-Nr. 7101-021211

Outside handle, non-lockable:



Cap, black, circular:

right hand Art.-Nr. 7101-021294
left hand Art.-Nr. 7101-021295



Cap, grey, circular:

right hand Art.-Nr. 7101-021304
left hand Art.-Nr. 7101-021305



Cap, red, circular:

right hand Art.-Nr. 7101-021274
left hand Art.-Nr. 7101-021275



Cap, blue, circular:

right hand Art.-Nr. 7101-021284
left hand Art.-Nr. 7101-021285

Cap, black, angular:

right hand Art.-Nr. 7101-021204
left hand Art.-Nr. 7101-021205

Cap, grey, angular:

right hand Art.-Nr. 7101-021224
left hand Art.-Nr. 7101-021225

Cap, red, angular:

right hand Art.-Nr. 7101-021264
left hand Art.-Nr. 7101-021265

Cap, blue, angular:

right hand Art.-Nr. 7101-021214
left hand Art.-Nr. 7101-021215

Outside handle prepared for KABA locking cylinder:



Cap, black, circular:

right hand Art.-Nr. 7101-021292
left hand Art.-Nr. 7101-021293



Cap, grey, circular:

right hand Art.-Nr. 7101-021302
left hand Art.-Nr. 7101-021303



Cap, red, circular:

right hand Art.-Nr. 7101-021272
left hand Art.-Nr. 7101-021273



Cap, blue, circular:

right hand Art.-Nr. 7101-021282
left hand Art.-Nr. 7101-021283

Cap, black, angular:

right hand Art.-Nr. 7101-021202
left hand Art.-Nr. 7101-021203

Cap, grey, angular:

right hand Art.-Nr. 7101-021222
left hand Art.-Nr. 7101-021223

Cap, red, angular:

right hand Art.-Nr. 7101-021262
left hand Art.-Nr. 7101-021263

Cap, blue, angular:

right hand Art.-Nr. 7101-021212
left hand Art.-Nr. 7101-021213

Locking technology for cold storage

Multi-functional locking system | Series 7101 | TURNO

TURNO Inside opener / Press lever | inside opener for doors opening to inside | Inside opener for multi-point locking



M = 78 mm:
left hand
Art.-Nr. 7101-020303
right hand
Art.-Nr. 7101-020302



M = 102 mm:
left hand
Art.-Nr. 7101-020419
right hand
Art.-Nr. 7101-020418



Left hand/right hand:
upon request



Left hand:
M = 78 mm
Art.-Nr. 7101-020301
M = 102 mm
Art.-Nr. 7101-020417



Right hand:
M = 78 mm
Art.-Nr. 7101-020300
M = 102 mm
Art.-Nr. 7101-020416

Option:



Locking cam:
23 mm Art.-Nr. 7101-020064
32 mm Art.-Nr. 7101-020062



Spacer:
Art.-Nr. 7101-020050



Mounting accessories
(Set of cams, bolts, etc.):
Art.-Nr. 7101-020091



Adapter system:
Upon request



Door thickness tolerance
compensation disc
Art.-Nr. 7101.0023



Press lever:
Art.-Nr. 7101-020010



Extension for press lever:
Art.-Nr. 7101-020030



Fastening bolt for push-rod,
multiple locking:
Art.-Nr. 7101-020080



Strike, 74 mm:
left hand Art.-Nr. 7101-020521
right hand Art.-Nr. 7101-020520



Sticker, fluorescent:
Art.-Nr. 7101-0262

TURNO push-inside opener:

Option:



Push-inside opener:
right hand
Art.-Nr. 7101-020044
left hand
Art.-Nr. 7101-020045



Washer:
Art.-Nr. 7101-020055



Fastening part, 30 mm:
Art.-Nr. 7101-020072



Fastening part, 55 mm:
Art.-Nr. 7101-020070

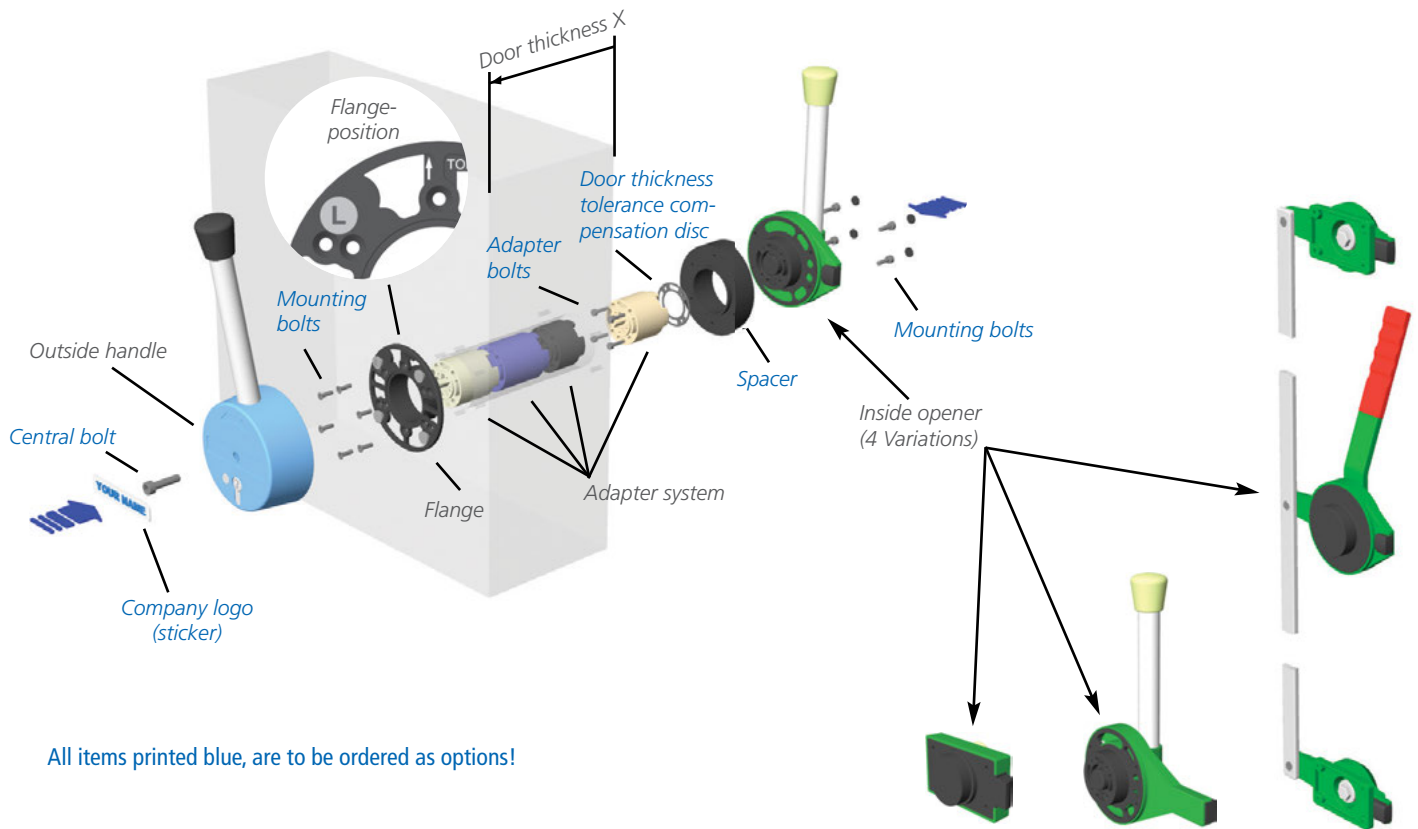


Mounting accessories
(Set of cams, bolts, etc.):
Art.-Nr. 7101-020092

Locking technology for cold storage

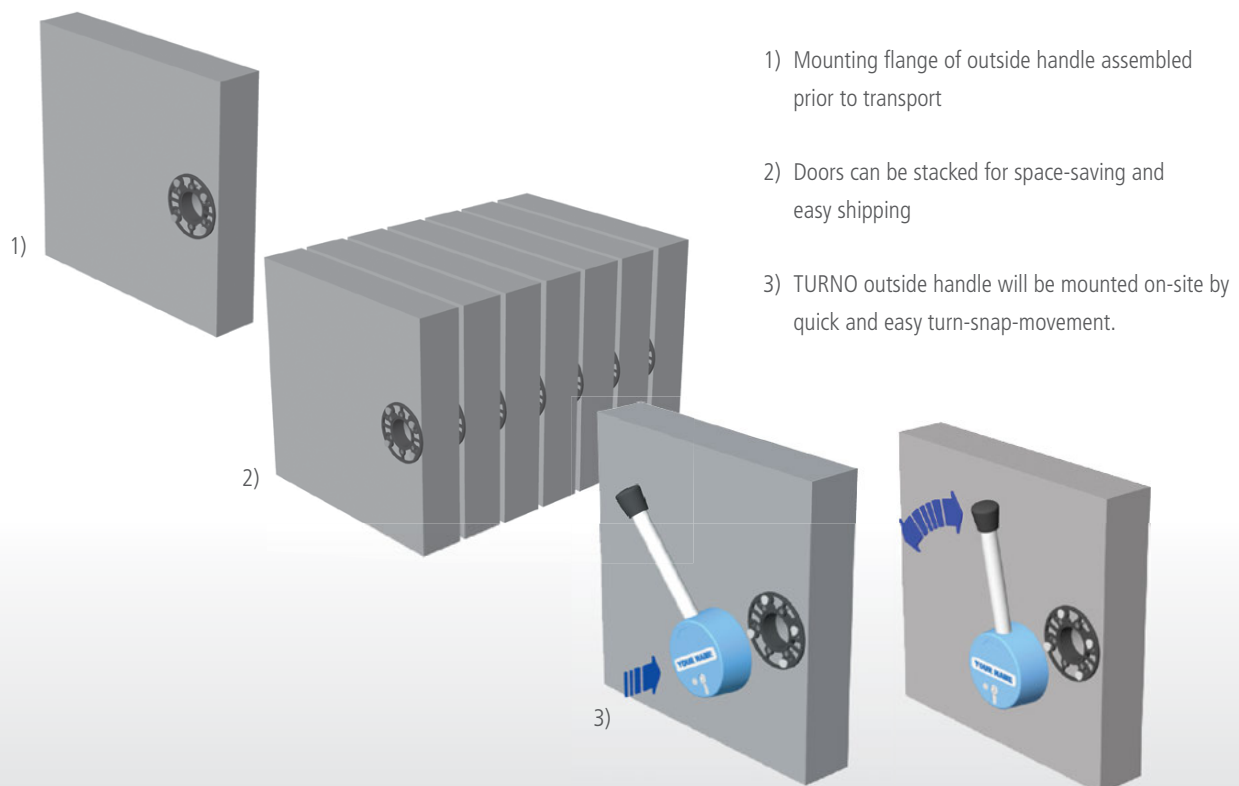
Multi-functional locking system | Series 7101 | TURNO

Structure:



All items printed blue, are to be ordered as options!

TURNO Logistical and assembly-advantages:



NEW!

Locking technology for cold storage

Multiple pressing lever locking | Series 7505 | ROBUSTO



- Ideal locking system for extreme temperatures (i.e. testing chambers, shock froster, etc.)
- To be used with single- or multiple-point locking
- Multiple latching variations by modular design
- Options for customization available
- Complementary handle options NITRO and VITRO
- Material: Outside handle - stainless steel/plastic, Inside parts - stainless steel

Outside handle geared for the following door thicknesses:

door thickness	handle stainless steel / insert black
80 mm	Art.-Nr. 7503-020080
90 mm	Art.-Nr. 7503-020090
100 mm	Art.-Nr. 7503-020100
110 mm	Art.-Nr. 7503-020110
120 mm	Art.-Nr. 7503-020120
130 mm	Art.-Nr. 7503-020130
140 mm	Art.-Nr. 7503-020140
160 mm	Art.-Nr. 7503-020160
180 mm	Art.-Nr. 7503-020180
200 mm	Art.-Nr. 7503-020200

Other option:

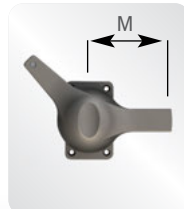
door thickness	handle grey / insert black
80 mm	Art.Nr 7501-020080
90 mm	Art.Nr 7501-020090
100 mm	Art.Nr 7501-020100
110 mm	Art.Nr 7501-020110
120 mm	Art.Nr 7501-020120
130 mm	Art.Nr 7501-020130
140 mm	Art.Nr 7501-020140
160 mm	Art.Nr 7501-020160
180 mm	Art.Nr 7501-020180
200 mm	Art.Nr 7501-020200

Inside handle:



Multiple pressing lever locking:
for right handed (hinged) doors
Art-Nr. 7505-020010

for left handed (hinged) doors
Art-Nr. 7505-020011



Angular pressing lever :
for right handed (hinged) doors
Art-Nr. 7505-020020

for left handed (hinged) doors
Art-Nr. 7505-020021

(may be shortened to
dimension of M = 80 mm)

Accessories:



Locking cam for
inside opener:
Art.-Nr. 7505-020060



Spacer for locking cam, 3 mm:
Art.-Nr. 7505-020061



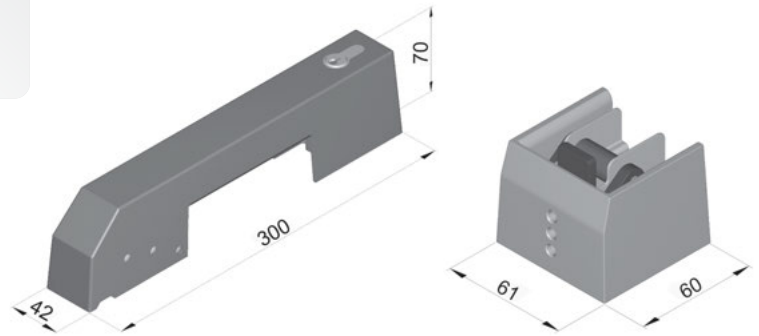
Fastening bolt for push-rod,
multiple locking:
Art.-Nr. 7101-020080

Locking technology for cold storage

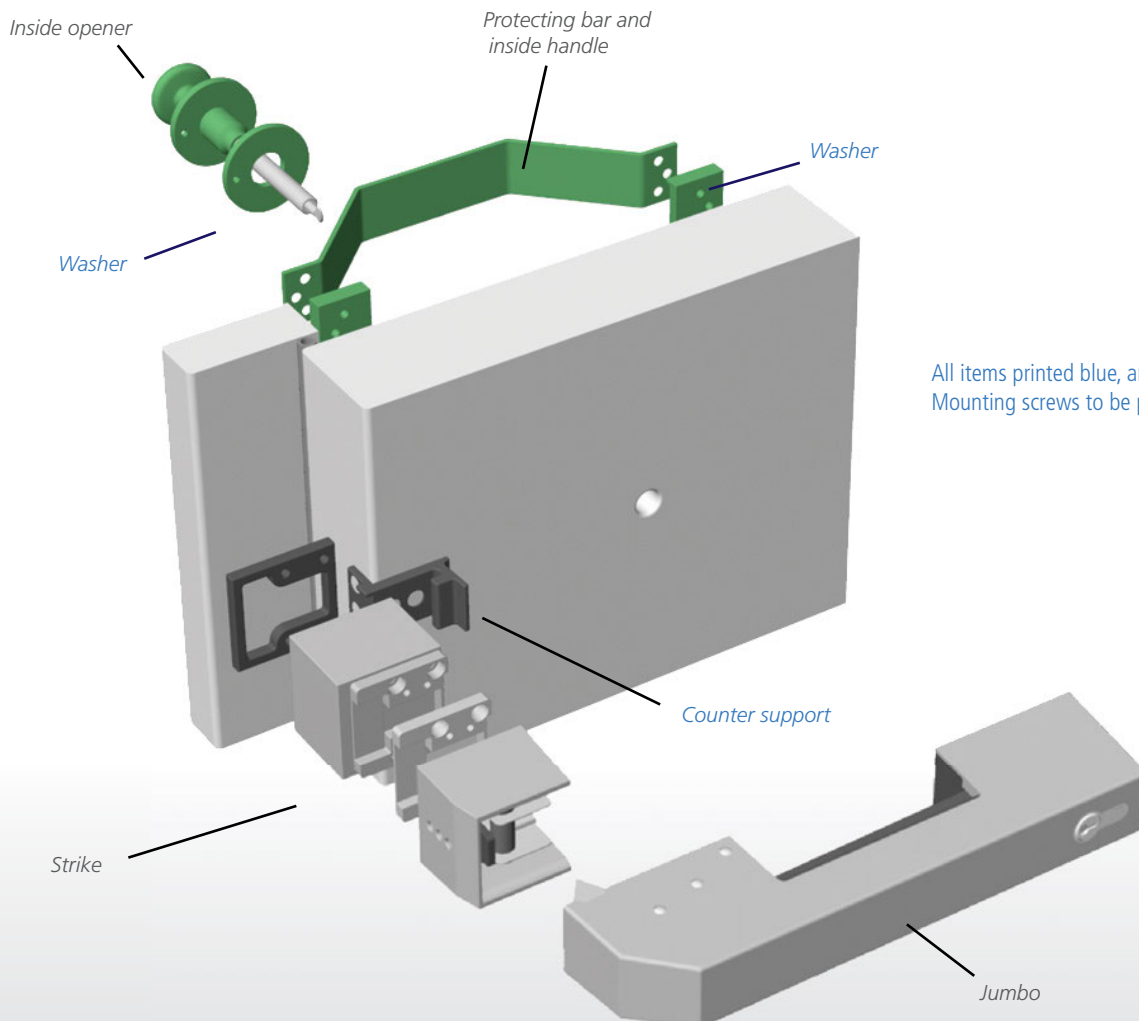
System 6000 | JUMBO



- Classic, self-closing latch
- For hinged doors
- For right- and left-hinged doors
- Wide variety in surface finishes
- Material: Housing - zinc die-cast; Inside opener - metal/plastic



JUMBO system structure:



All items printed blue, are to be ordered as options!
Mounting screws to be provided by client!

Locking technology for cold storage

System 6000 | JUMBO

Bestandteile:



Inside opener (Dimension T = ...):

40-56 mm	Art.-Nr. 6000-020530
60-76 mm	Art.-Nr. 6000-020531
76-92 mm	Art.-Nr. 6000-020532
92-108 mm	Art.-Nr. 6000-020533
108-124 mm	Art.-Nr. 6000-020534
124-140 mm	Art.-Nr. 6000-020535
140-156 mm	Art.-Nr. 6000-020536
156-172 mm	Art.-Nr. 6000-020537



Strike, chromium-plated (Dimension S = ...):

24-43 mm	Art.-Nr. 6000-020800
30-43 mm	Art.-Nr. 6000-020702
37-51 mm	Art.-Nr. 6000-020703
44-58 mm	Art.-Nr. 6000-020704
51-65 mm	Art.-Nr. 6000-020705
59-72 mm	Art.-Nr. 6000-020706
66-80 mm	Art.-Nr. 6000-020707



Strike, grey, RAL 7001 (Dimension S = ...):

24-43 mm	Art.-Nr. 6000-020801
30-43 mm	Art.-Nr. 6000-020720
37-51 mm	Art.-Nr. 6000-020721
44-58 mm	Art.-Nr. 6000-020722
51-65 mm	Art.-Nr. 6000-020723
59-72 mm	Art.-Nr. 6000-020724
66-80 mm	Art.-Nr. 6000-020725



Strike, chromium-plated (Dimension S = ...):

71-85 mm	Art.-Nr. 6000-020708
78-92 mm	Art.-Nr. 6000-020709
86-100 mm	Art.-Nr. 6000-020710
91-105 mm	Art.-Nr. 6000-020711
99-112 mm	Art.-Nr. 6000-020712
106-120 mm	Art.-Nr. 6000-020713



Strike, grey, RAL 7001 (Dimension S = ...):

71-85 mm	Art.-Nr. 6000-020726
78-92 mm	Art.-Nr. 6000-020727
86-100 mm	Art.-Nr. 6000-020728
91-105 mm	Art.-Nr. 6000-020729
99-112 mm	Art.-Nr. 6000-020730
106-120 mm	Art.-Nr. 6000-020731



Status report (Reed switch*)
with 0,5 m wire



Counter support (Dimension F = ...):

13 mm	Art.-Nr. 6000-020699
16 mm	Art.-Nr. 6000-020700
19 mm	Art.-Nr. 6000-020701



*more versions upon request

Locking technology for cold storage

System 6000 and 6002 | JUMBO

Bestandteile:



Standard locking cylinder:
chromium-plated Art.-Nr. 6000-020893
grey (RAL 7001) Art.-Nr. 6000-020894



Profile locking cylinder:
chromium-plated Art.-Nr. 6000-020695
grey (RAL 7001) Art.-Nr. 6000-020696



Prepared for profile locking cylinder:
chromium-plated Art.-Nr. 6000-020551
grey (RAL 7001) Art.-Nr. 6000-020550



Prepared for KABA locking cylinder:
chromium-plated Art.-Nr. 6000-020559
grey (RAL 7001) Art.-Nr. 6000-020558



External handle for in turning cold room doors

External handle, lockable	Art.-Nr. 6002-020675
Inside opener	Art.-Nr. 6002-020674
Strike	Art.-Nr. 6002-020676
Counter bearings	Art.-Nr. 6000-020678
Counter bearings	Art.-Nr. 6000-020701



Protection bar and inside handle:
Art.-Nr. 6000-020002



Option:



Spacer, 6.5 mm for inside handle:
6,5 mm Art.-Nr. 6000-020754



Spacer 5 mm for inside opener:
5 mm Art.-Nr. 6000-020615



Cover plug for use without locking cylinder:
Art.-Nr. 6000-020556



Spacer for strike, 7.5 mm:
7,5 mm Art.-Nr. 6000-020719

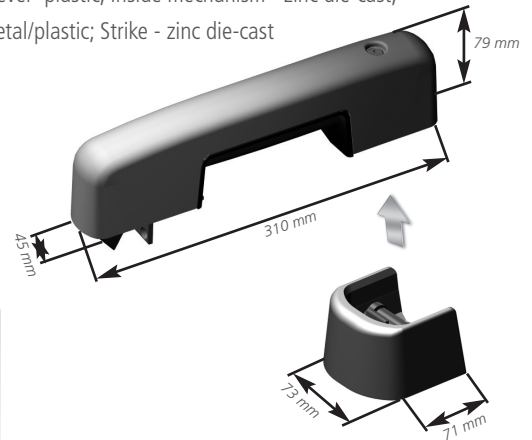
Locking technology for cold storage

Cold storage latch | Series 6004 | RONDO



- Modern, self-closing latch
- For hinged doors
- For right- and left-hinged doors
- Wide variety in surface finishes
- Material:

Cap and outside lever- plastic; Inside mechanism - zinc die-cast;
Inside opener - metal/plastic; Strike - zinc die-cast



Status report (Reed switch)
with 0,5 m wire*

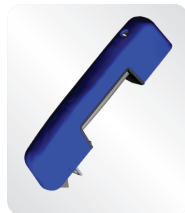
Variations:



Cap, grey:

Base body, black
Art.-Nr. 6004-021010

Base body, chromium-plated (roto-finish)
Art.-Nr. 6004-021011



Cap, blue:

Base body, black
Art.-Nr. 6004-021020

Base body, chromium-plated (roto-finish)
Art.-Nr. 6004-021021



Cap, black:

Base body, black
Art.-Nr. 6004-021000

Base body, chromium-plated (roto-finish)
Art.-Nr. 6004-021001

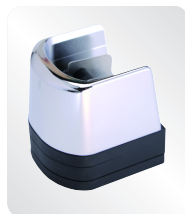


Protecting bar and
inside handle:
Art.-Nr. 6000-020002



Strike, black (Dimension... S = ...):

32,5-48,5 mm	Art.-Nr. 6004-020100
43,5-56,5 mm	Art.-Nr. 6004-020101
52,5-68,5 mm	Art.-Nr. 6004-020102
60,5-76,5 mm	Art.-Nr. 6004-020103
72,5-88,5 mm	Art.-Nr. 6004-020104
80,5-96,5 mm	Art.-Nr. 6004-020105
97,5-108,5 mm	Art.-Nr. 6004-020106
105,5-116,5 mm	Art.-Nr. 6004-020107

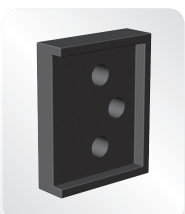


Strike, chromium-plated (roto-finish)
(Dimension S = ...):

32,5-48,5 mm	Art.-Nr. 6004-020110
43,5-56,5 mm	Art.-Nr. 6004-020111
52,5-68,5 mm	Art.-Nr. 6004-020112
60,5-76,5 mm	Art.-Nr. 6004-020113
72,5-88,5 mm	Art.-Nr. 6004-020114
80,5-96,5 mm	Art.-Nr. 6004-020115
97,5-108,5 mm	Art.-Nr. 6004-020116
105,5-116,5 mm	Art.-Nr. 6004-020117

Inside opener and Counter support on page 30

Option:



Spacer for inside handle:
6,5 mm Art.-Nr. 6000-020754



Spacer for inside opener:
5 mm Art.-Nr. 6000-020615

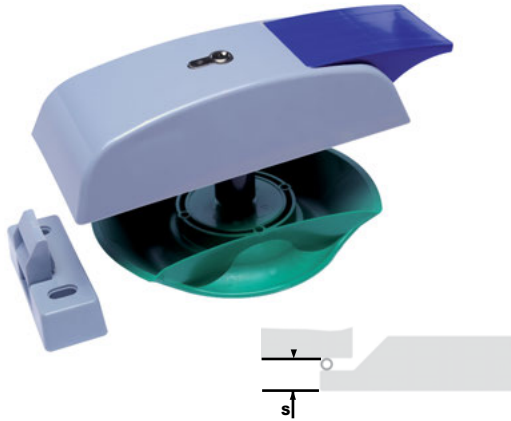
*more versions upon request

Verschlusstechnik für Kühlzellen/-räume

Cold storage latch | Series 7800 | ARCTO

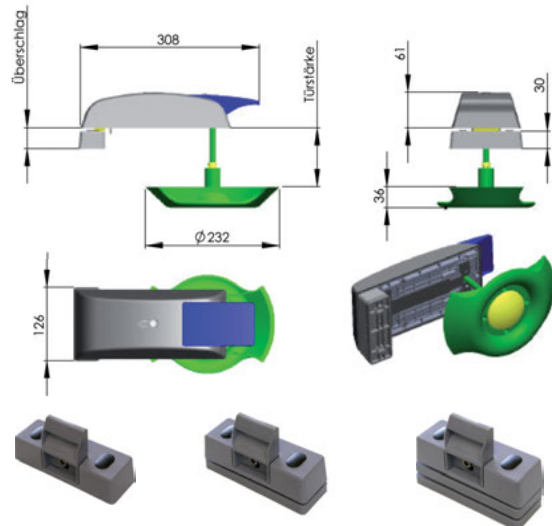
- Self-closing latch for hinged doors
- Consistent design with inside- and outside latching
- For cold storage doors
- To be utilized for left- and right-hinged doors

Outside latching variation:



With the addition of spacers, the strike will be elevated by 10 mm increments.

- Lockable
- Option available with electric status report
- Wide variety of colours
- Material: Plastic; Axles, springs, pins - galvanized steel

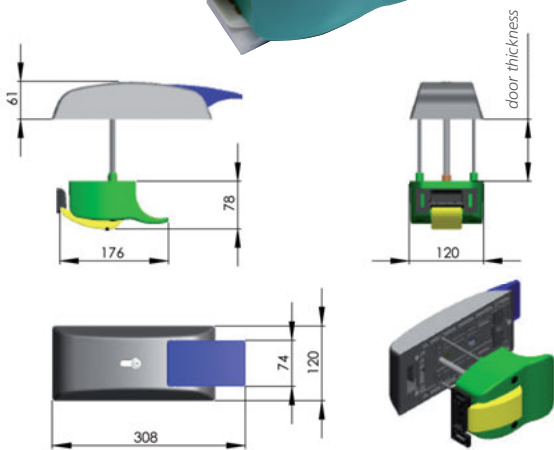


S = 35 - 45 mm

S = 45 - 55 mm
+ 1 spacer

S = 55 - 65 mm
+ 2 spacers

Inside latching variation:



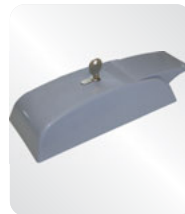
Surface finishes:



Handle colour blue:

With emergency opener and strike:
Standard Art.-Nr. 7800-020100
With switch, status report Art.-Nr. 7800-020110

With inside latch and locking part:
Standard Art.-Nr. 7800-020010
With switch, status report: Art.-Nr. 7800-020020



Handle colour grey:

With emergency opener and strike:
Standard Art.-Nr. 7800-020102
With switch, status report Art.-Nr. 7800-020112

With inside latch and locking part:
Standard Art.-Nr. 7800-020012
With switch, status report: Art.-Nr. 7800-020022



Handle colour black:

With emergency opener and strike:
Standard Art.-Nr. 7800-020101
With switch, status report Art.-Nr. 7800-020111

With inside latch and locking part:
Standard: Art.-Nr. 7800-020011
With switch, status report Art.-Nr. 7800-020021

Option:



Spacer for strike, 10 mm:

Art.-Nr. 7800-020140



Mounting sets for different door thickness:

	Outside latch	Inside latch
60 mm	7800-020150	7800-020050
80 mm	7800-020151	7800-020051
100 mm	7800-020152	7800-020052
120 mm	7800-020153	7800-020053
140 mm	7800-020154	7800-020054
Other door thicknesses upon request		

Locking technology for cold storage

Camlock | Series 0270



- Economy-minded latching system for flexible assembly of foamed wall-panels
- Lasting tightening force through cam-action
- Tightening hook safely secured for transport
- Suitable for multiple assembly and dismantling
- Galvanized pulling hook (3 mm) for high tensile strength
- Counter part (height 43 mm) suitable for small installation space
- Available installation mandrels prevent foam leakage
- Materials:
Housing - plastic; Mechanical parts - steel / zinc die-cast

Optional installation assistance:



Camlock:

Art.-Nr. 0270-020001



Counter part:

Art.-Nr. 0270-020010



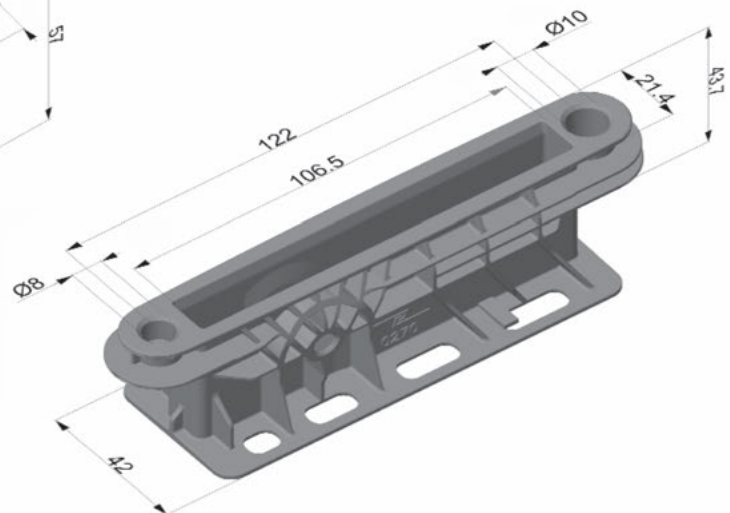
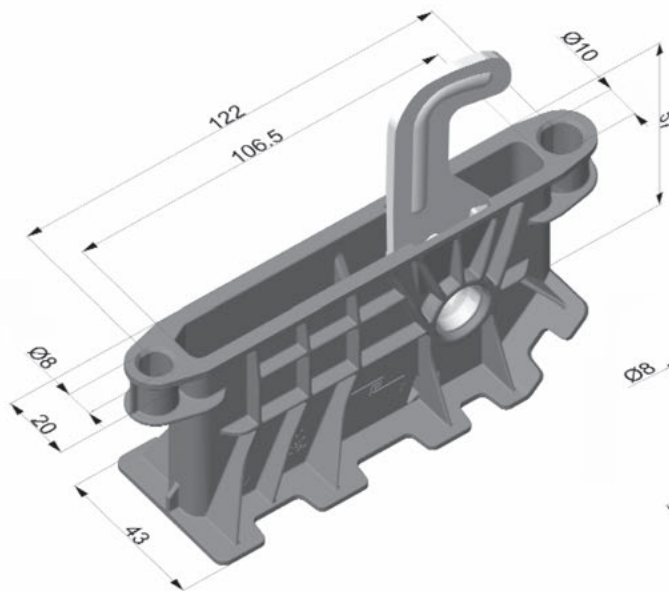
Mandrel for camlock:

Art.-Nr. 0270-020009



Mandrel for counter part:

Art.-Nr. 0270-020019

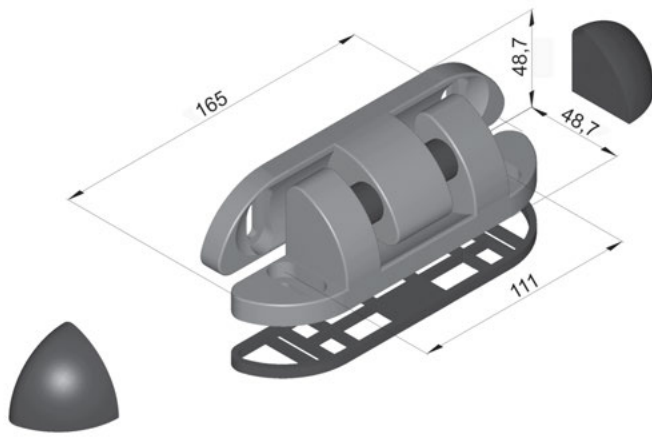


Locking technology for cold storage

Edge-mounted hinge | Series 4514 | FUTURO



- Stylish hinge for customised colour-schemes
- Universal use
- Adjustability in 3 dimensions
- Choice of rising and non-rising
- Left- and right-hinged doors
- Wide variety in surface finishes
- Coloured caps, removable
- Protection against unauthorized dismantling
- Spacers in 5 mm increments
- Door weight capacity of max. 80 kg using 2 hinges
- Material: Metal, zinc die-cast, plastic
- Caps of plastic



Adjustability



Surface finishes:



Chromium-plated:

right hand, rising
Art.-Nr. 4514-020200
left hand, rising
Art.-Nr. 4514-020201
non-rising
Art.-Nr. 4514-020502



Grey (RAL 7001):

right hand, rising
Art.-Nr. 4514-020210
left hand, rising
Art.-Nr. 4514-020211
non-rising
Art.-Nr. 4514-020512

Option:



Spacer, 5 mm:

black	Art.-Nr. 4514-020050
grey	Art.-Nr. 4514-020051
red	Art.-Nr. 4514-020052
blue	Art.-Nr. 4514-020053
green	Art.-Nr. 4514-020054



Caps, black, set of 2:
Art.-Nr. 4514-020010



Caps, grey, set of 2:
Art.-Nr. 4514-020011



Caps, red, set of 2:
Art.-Nr. 4514-020012



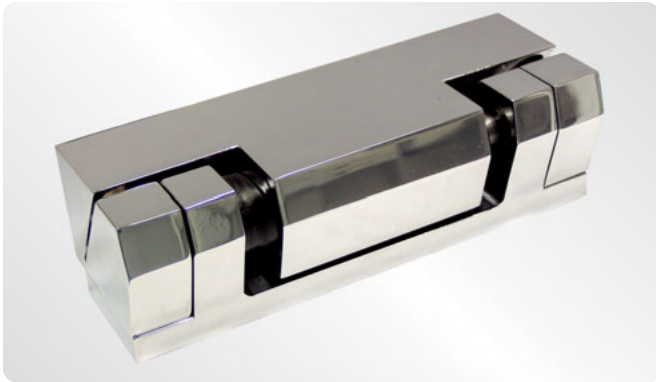
Caps, blue, set of 2:
Art.-Nr. 4514-020013



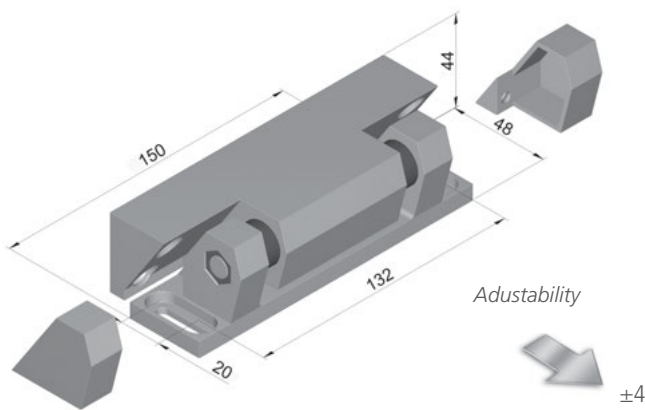
Caps, green, set of 2:
Art.-Nr. 4514-020014

Locking technology for cold storage

Edge-mounted hinge | Series 4000/4001



- Classy hinge in timeless design
- For cold storage doors
- Chromium-plated and painted
- Protection against unauthorized dismantling
- Choice of rising / non-rising
- Door weight capacity of max. 80 kg using 2 hinges
- Material: Zinc die-cast



Securing of cap



Surface finishes:



Chromium-plated:

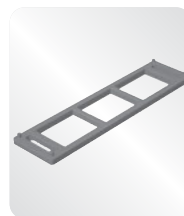
right hand, rising
Art.-Nr. 4001-020262
left hand, rising
Art.-Nr. 4001-020263
non-rising
Art.-Nr. 4000-020271



Grey (RAL 7001):

right hand, rising
Art.-Nr. 4001-020260
left hand, rising
Art.-Nr. 4001-020261
non-rising
Art.-Nr. 4000-020265*

Option:



Spacer, 5 mm:

Art.-Nr. 4000-020548

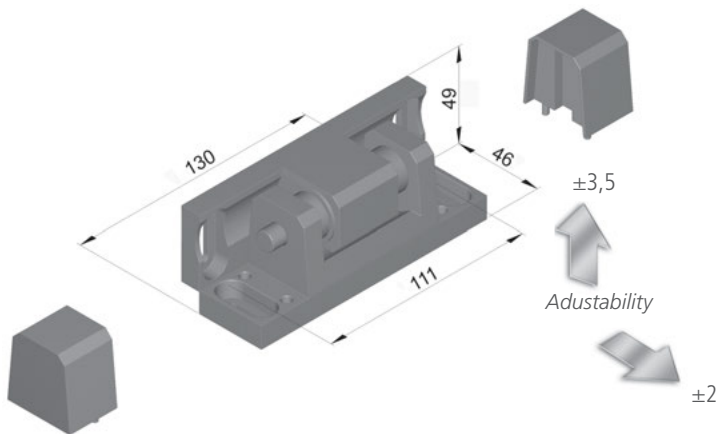
*Upon request / minimum order quantities apply

Locking technology for cold storage

Edge-mounted hinge | Series 4510/4511



- Classy hinge in linear design
- For cold storage doors
- Chromium-plated and painted
- Protection against unauthorized dismantling
- Adjustable in 2 dimensions
- Choice of rising / non-rising
- Door weight capacity of max. 80 kg using 2 hinges
- Material: Zinc die-cast



Surface finishes:



Chromium-plated:

right hand, rising
Art.-Nr. 4511-020606

left hand, rising
Art.-Nr. 4511-020607

non-rising
Art.-Nr. 4510-020603



Grey (RAL 7001):

right hand, rising
Art.-Nr. 4511-020604

left hand, rising
Art.-Nr. 4511-020609

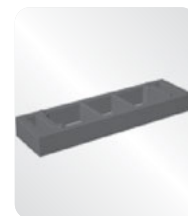
non-rising
Art.-Nr. 4510-020608*

Option:



Spacer, 5 mm:

Art.-Nr. 4510-020614



Spacer, 15 mm:

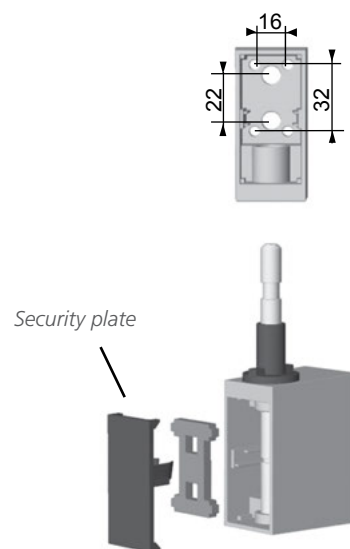
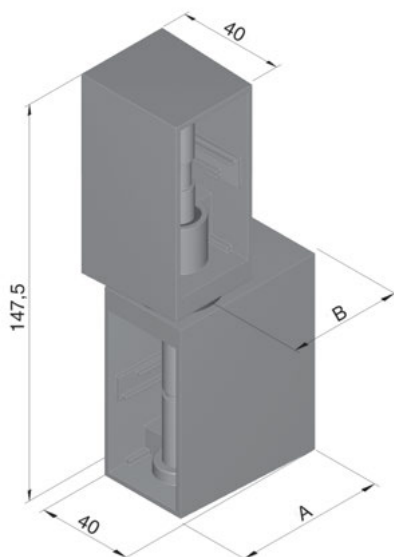
Art.-Nr. 4510-020967

Locking technology for cold storage

Edge-mounted hinge | Series 4002/4003



- Classy hinge in retro-look
- For cold storage doors
- Protection against unauthorized dismantling
- Choice of rising / non-rising
- Lift-off capability
- Door weight capacity of max. 40 kg using 2 hinges
- Material: Zinc die-cast



Surface finishes:

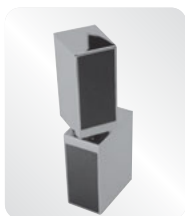


Chromium-plated:

right hand, rising,
Dimension A = 58 mm
Dimension B = 40 mm
Art.-Nr. 4003-020776*

left hand, rising,
Special dimension A+B
upon request

for right- and left-hinged doors
Dimension A = 58 mm
Dimension B = 40 mm
Art.-Nr. 4002-020770



Grey (RAL 7001):

right hand, rising,
Dimension A = 58 mm
Dimension B = 40 mm
Art.-Nr. 4003-020779*

left hand, rising,
Special dimension A+B
upon request

for right- and left-hinged doors
Dimension A = 58 mm
Dimension B = 40 mm
Art.-Nr. 4002-020773

Option:



Security plate:

Art.-Nr. 4002-020197



Spacer, 2 mm:

2 mm Art.-Nr. 4002-020919
11 mm Art.-Nr. 4002-020920

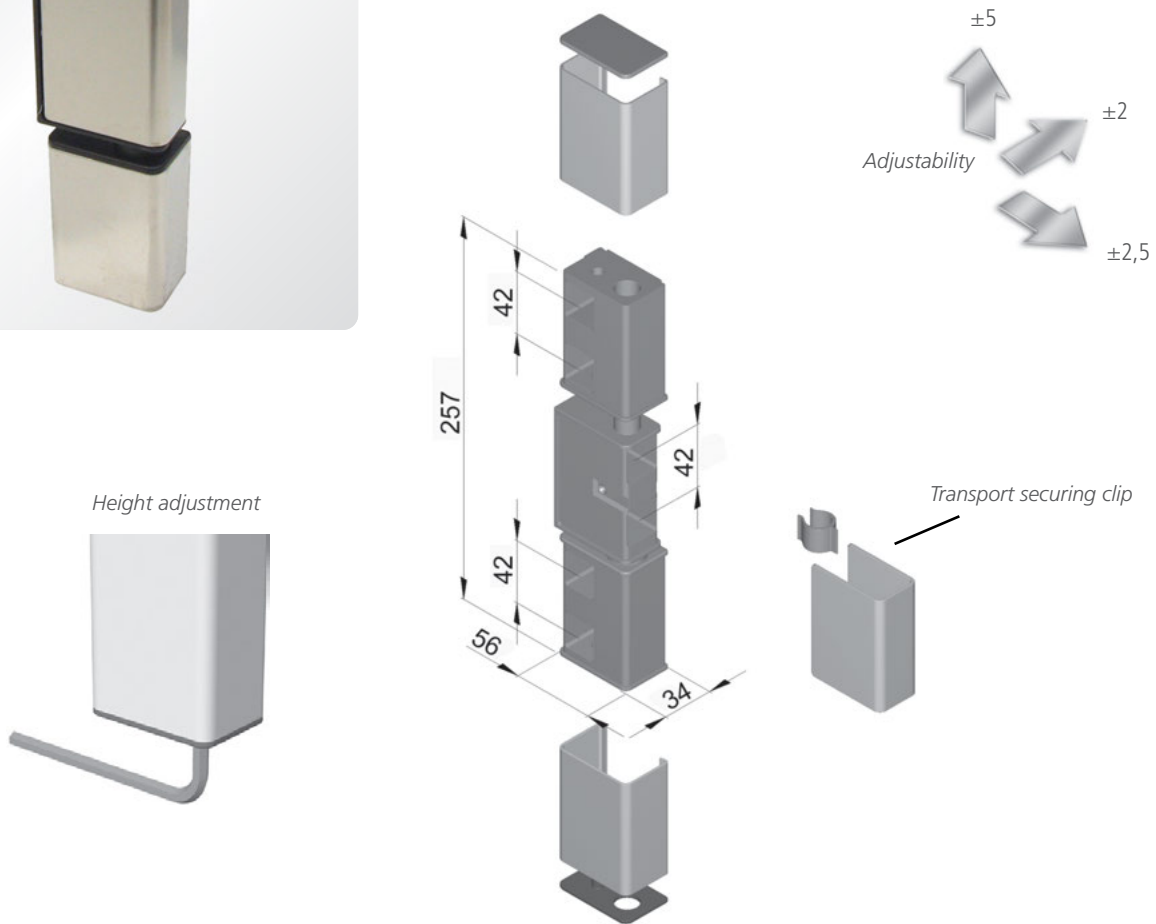
*Upon request / minimum order quantities apply

Locking technology for cold storage

Edge-mounted hinge | Series 4004



- Robust composite hinge from plastic and stainless steel
- For cold storage doors
- Protection against unauthorized dismantling
- Rising
- Adjustability in 3 dimensions
- Corrosion-resistant
- Door weight capacity of max. 80 kg using 2 hinges
- Material: Metal/Plastic, brushed stainless steel



Edge-mounted hinge:



Black, stainless steel:

right hand Art.-Nr. 4004-020100
left hand Art.-Nr. 4004-020101

Option:



Spacer 5 mm:

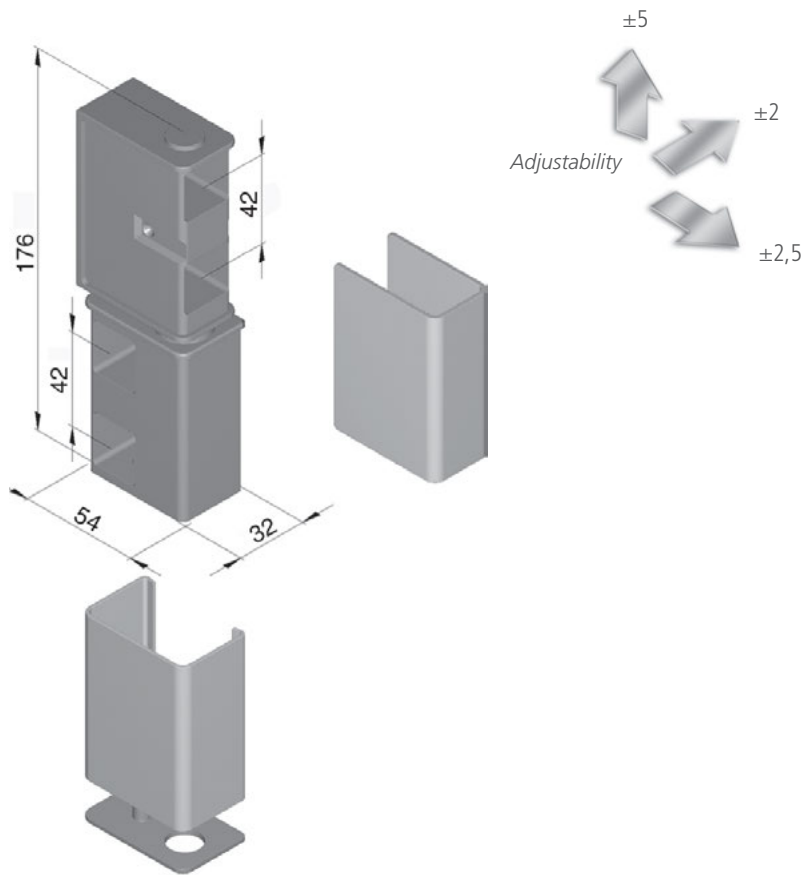
Art.-Nr. 4004-020010

Locking technology for cold storage

Edge-mounted hinge | Series 4006



- Edge-mounted hinge with stainless steel appearance
- For cold storage doors
- Protection against unauthorized dismantling
- Rising
- Lift-off capability
- Adjustability in 3 dimensions
- Corrosion-resistant
- Door weight capacity of max. 40 kg using 2 hinges
- Material: Metal/Plastic, brushed stainless steel



Height adjustment



Edge-mounted hinge:



Black, stainless steel:

right hand Art.-Nr. 4006-020102
left hand Art.-Nr. 4006-020103

Option:



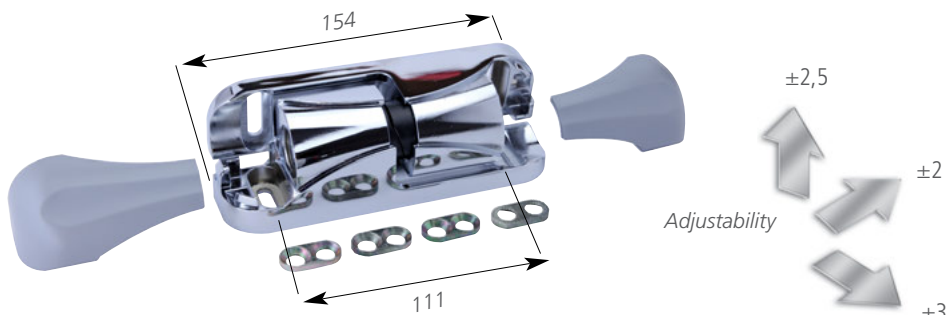
Spacer 5 mm:
Art.-Nr. 4004-020010

Locking technology for cold storage

Edge-mounted hinge | Series 7514 | BONO



- Modern hinge for customised colour-schemes and highest standards
- For cold storage doors
- Adjustability in 3 dimensions
- Choice of rising and non-rising
- Left- and right-hinged doors
- Wide variety in surface finishes
- Coloured caps, removable
- Protection against unauthorized dismantling
- Spacers in 5 mm increments
- Door weight capacity of max. 80 kg using 2 hinges
- Material: Metal, zinc die-cast, plastic
- Caps of plastic



Surface finishes:



Chromium-plated:

right hand, rising Art.-Nr. 7514-020070
 left hand, rising Art.-Nr. 7514-020071
 right hand non-rising Art.-Nr. 7514-020072
 left hand non-rising Art.-Nr. 7514-020073

Grey (RAL 7001):

right hand, rising Art.-Nr. 7514-20080
 left hand, rising Art.-Nr. 7514-20081
 right hand non-rising Art.-Nr. 7514-02082
 left hand non-rising Art.-Nr. 7514-20083



Caps, single, grey:

right hand Art.-Nr. 7514-020004
 left hand Art.-Nr. 7514-020005

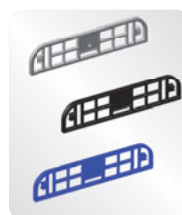
Caps, single, black:

right hand Art.-Nr. 7514-020006
 left hand Art.-Nr. 7514-020007

Caps, single, blue:

right hand Art.-Nr. 7514-020008
 left hand Art.-Nr. 7514-020009

Option:



Spacer, 5 mm, grey:

Art.-Nr. 7514-020030

Spacer, 5 mm, black:

Art.-Nr. 7514-020031

Spacer, 5 mm, blue:

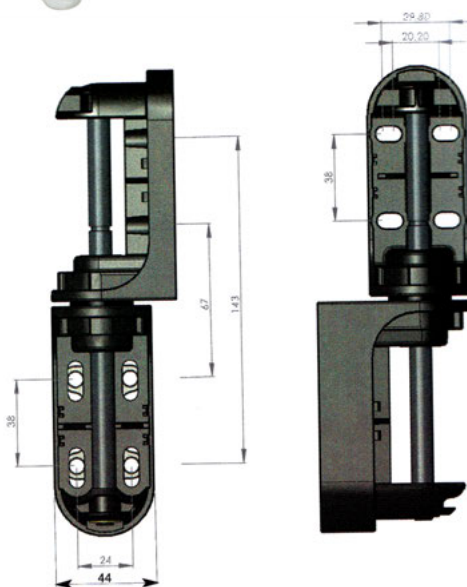
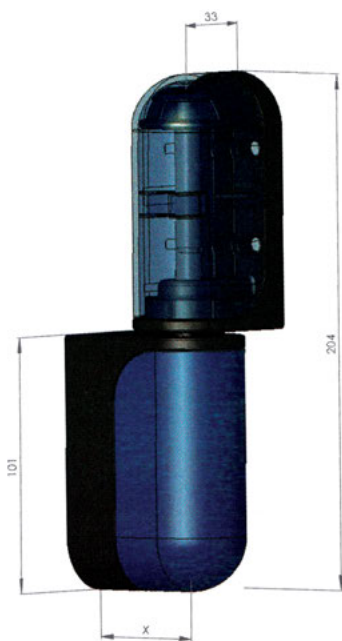
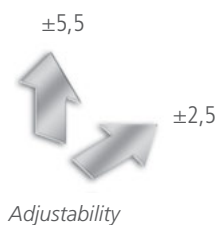
Art.-Nr. 7514-020032

Locking technology for cold storage

Plastic hinge | Series 4010 | LIFTO



- Plastic hinge in colored retro-look
- For cold storage doors
- Rising
- Adjustability in 2 dimensions
- Left- and right-hinged doors
- Lift-off capability
- Wide variety in surface finishes
- Coloured caps, removable
- Door weight capacity of max. 40 kg using 2 hinges
- Material: Lug, leaf, caps - plastic; Pin - galvanized steel



Plastic hinge:



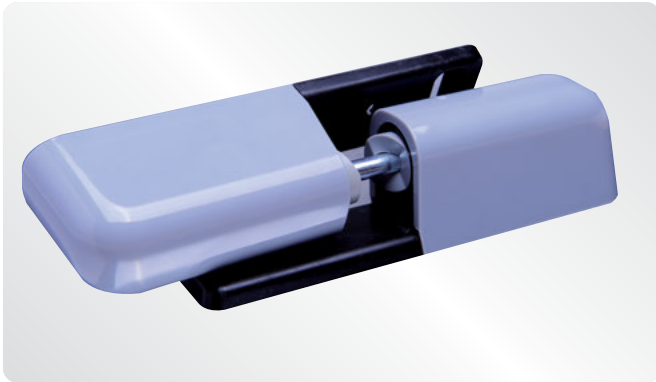
Dimension X = 33 mm Art.-Nr. 4010-020001
 Dimension X = 45 mm Art.-Nr. 4010-020002
 Dimension X = 56 mm Art.-Nr. 4010-020003

Caps:

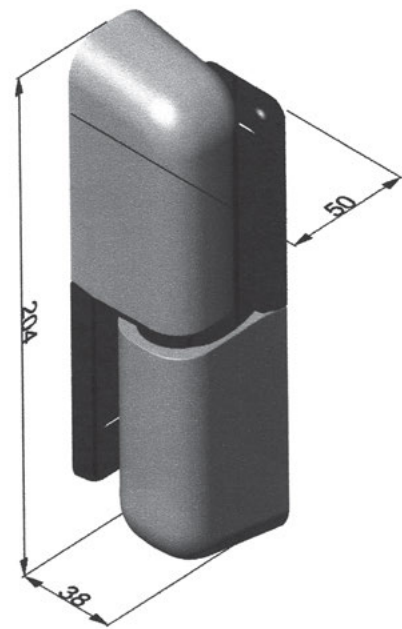
grey	Art.-Nr. 4010-020010
blue	Art.-Nr. 4010-020011
black	Art.-Nr. 4010-020012

Locking technology for cold storage

Plastic hinge | Series 7805 | ARCTO



- Complementary hinge for multicolour latch system
- For cold storage doors
- Adjustable in 3 dimensions
- To be used with right- and left-hinged doors
- Lift-off capability for door maintenance
- Removable caps, coloured
- Door weight capacity max. 40 kg using 2 hinges
- Material:
Lug, leaf, caps - plastic; Pin - stainless steel



Plastic hinge:



Art.-Nr. 7805-020010

Option:

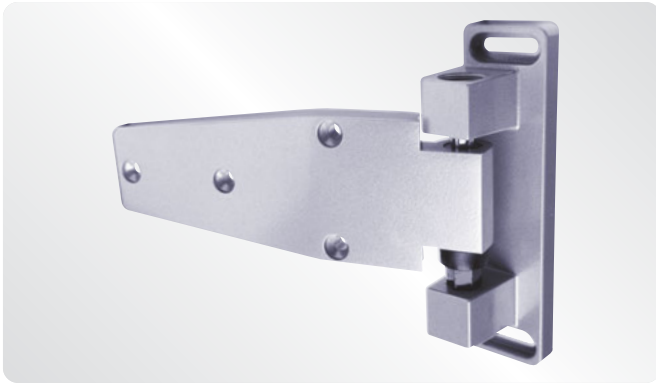


Spacer, 5 mm:

Art.-Nr. 7805-020005

Locking technology for cold storage

Leaf hinge | Series 4296



- High-performance hinge for high standards
- For cold storage doors and many more applications
- Rising
- Adjustability in 2 dimensions
- Door weight capacity max. 80 kg using 2 hinges
- Material: Zinc die-cast



Surface finishes*:



Black, left hand, rising:

A = 32 mm Art.-Nr. 4296-020021



Grey (RAL 9007), left hand, rising:

A = 32 mm Art.-Nr. 4296-020011
A = 52 mm Art.-Nr. 4296-020013

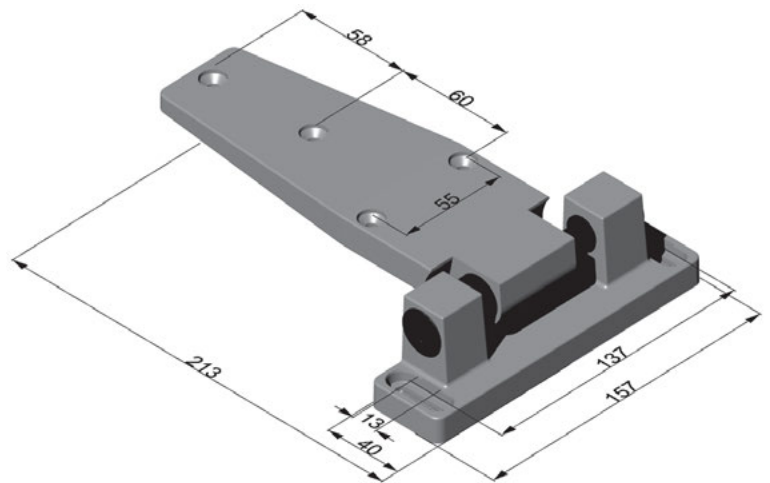
Black, right hand, rising:

A = 32 mm Art.-Nr. 4296-020022

Grey (RAL 9007), right hand, rising:

A = 32 mm Art.-Nr. 4296-020012
A = 52 mm Art.-Nr. 4296-020014

*Chromium plated upon request

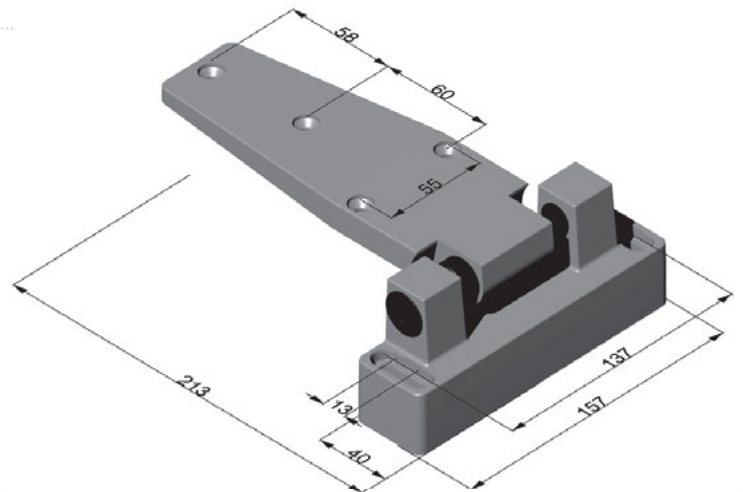


Option:



Spacer, 1 mm:

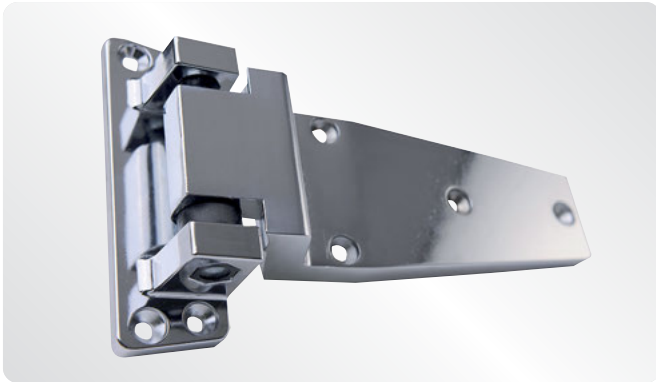
Art.-Nr. 4296-020050



*Chromium plated upon request

Locking technology for cold storage

Leaf hinges | Series 4297



- High-performance hinge for flush doors
- For cold rooms and many more applications
- Rising
- Door weight capacity max. 80 kg using 2 hinges
- Material: Zinc die-cast

Surface finishes:



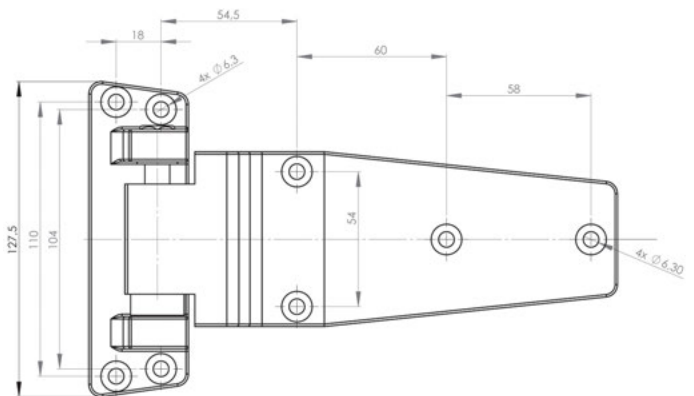
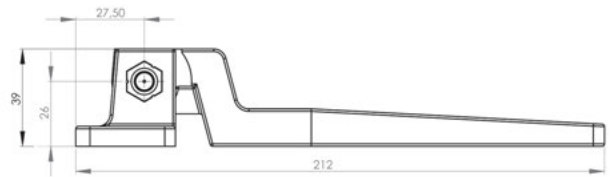
Chromium-plated, left hand rising:
Art.-Nr. 4297-020021



Grey (RAL 7001), left hand rising:
Art.-Nr. 4297-020011

Chromium-plated, right hand rising:
Art.-Nr. 4297-020020

Grey (RAL 7001), right hand rising:
Art.-Nr. 4297-020010



NEW!

Locking technology for cold storage

Leaf hinge | Series 5000



- Robust stainless steel hinge for flash doors
- For coldroom doors, service doors, fire proof doors a.o.
- Rising
- Lift-off/non lift-off
- Theft protection
- Adjustability in two dimension
- Door weight capacity of 80 kg or as heavy duty version 120 kg using 2 hinges
- Material: Stainless steel

Variations:



Lift-off hinge, right hand rising:
Art-Nr. 5000-020011



Non lift-off hinge:
right hand rising: Art.-Nr. 5000-020002

Lift-off hinge, left hand rising:
Art-Nr. 5000-020021

Non lift-off hinge:
left hand rising: Art.-Nr. 5000-020001

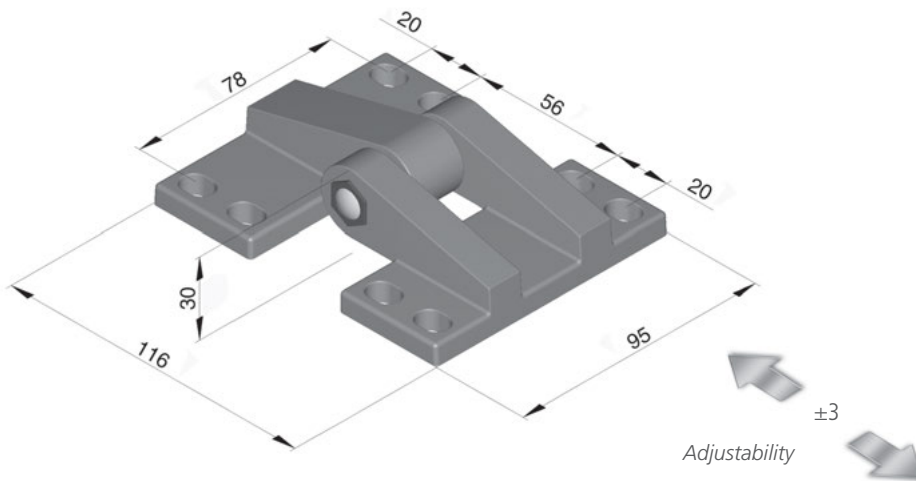
* heavy duty version upon request

Locking technology for cold storage

Hinge | Series 7902



- Simple hinge for universal use
- Ideal for export markets
- Chromium-plated
- For flush cold storage doors
- Door weight capacity of max. 30 kg using 2 hinges
- Material: Zinc die-cast



Hinge:



Chromium-plated:

Art.-Nr. 7902-020341

NEW!

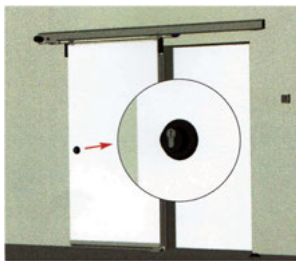
Locking technology for cold storage

Pinlock (gas-tight) | Series 7150



- Solid, gas-tight latch for sliding doors
- For cold storage and other applications
- For door thicknesses 80 - 200 mm
- Ready for master key systems, KABA-Versions available
- Profile locking cylinder
- No freeze-ups due to gas-tight construction
- Material: Housing and pin - plastic

Example of use::

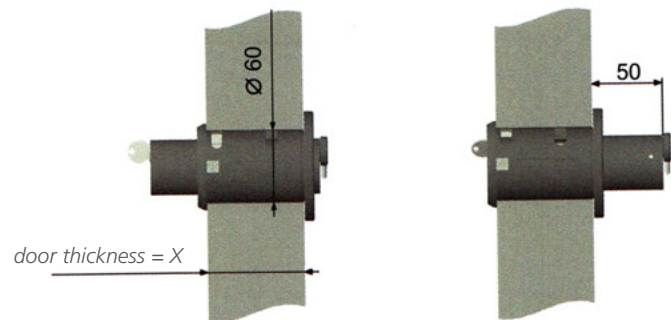


Emergency opener

Pinlock :



X = 80 mm	Art.-Nr. 7150-020080
X = 100 mm	Art.-Nr. 7150-020100
X = 120 mm	Art.-Nr. 7150-020120
X = 140 mm	Art.-Nr. 7150-020140
X = 160 mm	Art.-Nr. 7150-020160



Option:

Status report (Reed-Switch):

X = 80 mm	Art.-Nr. 7150-020081
X = 100 mm	Art.-Nr. 7150-020101
X = 120 mm	Art.-Nr. 7150-020121
X = 140 mm	Art.-Nr. 7150-020141
X = 160 mm	Art.-Nr. 7150-020161



Status report (Reed switch)
with 0,5 m wire*

Art.-Nr. 7150-020081



Spacer ring, 5 mm for adaptation to
varying door thicknesses:

Art.-Nr. 7150-020005

*more versions upon request



RAHRBACH
Verschlusstechnik

Stay **COOL!**

So are your drinks. Innovative locking technology by Rahrbach for better energy efficiency and easy handling.

Locking technology for refrigerated furnishings

Edge-mounted latches



6188



6190



6186



6201



6202

Surface-mounted latches



6180



6172



6183



6770

Leaf-hinges



4480



7900



4500



4513

Edge-mounted hinges

Cylinder locks



5801



5811



5812



5710

Catch-locks

Catch-locks



6195

Spring-loaded hinges



3653



4513

Camlocks



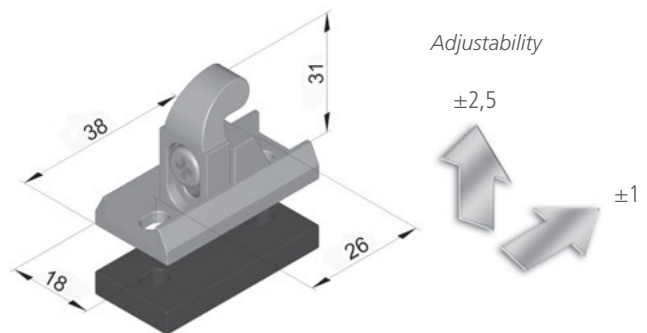
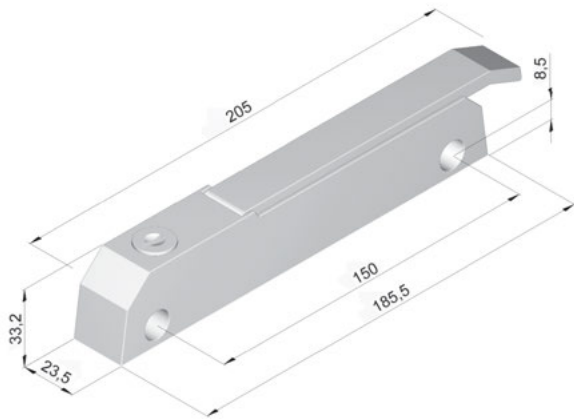
0253

Locking technology for refrigerated furnishings

Edge-mounted latch | Series 6188 | ERGO



- Self-closing latch with adjustable closing force
- For refrigerated furnishings, commercial refrigerators, cooling chambers, underbars and more
- Latch variations available for fulfillment of different safety regulations
- Available lockable or non-lockable
- Self-locking model available
- Wide variety of surface colouring
- Materials: Handle - zinc die-cast; Housing - zinc die-cast or plastic



Surface variations:



Metal, chromium-plated:

lockable Art-Nr. 6188-020251
non-lockable Art-Nr. 6188-020252



Metal, powder-coated, RAL 9007:

lockable Art-Nr. 6188-020250



Plastic/metal, black/chromium-plated:

lockable Art-Nr. 6188-020225
non-lockable Art-Nr. 6188-020224



Plastic/metal, black, RAL 9005:

lockable Art-Nr. 6188-020226
non-lockable Art-Nr. 6188-020223

Option:



Strike, adjustable:

Art-Nr. 6188-020207



Spacer, 5 mm:

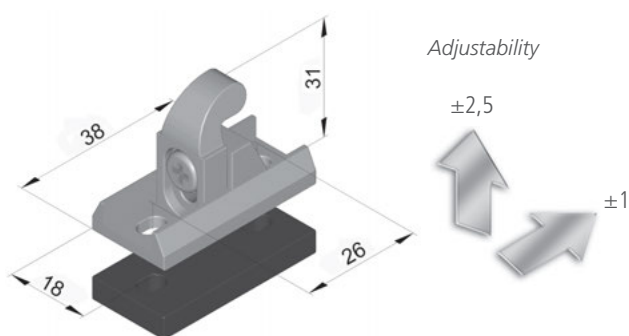
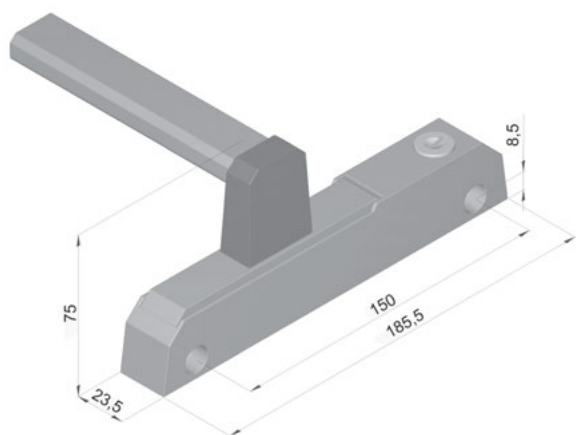
Art-Nr. 6188-020208

Locking technology for refrigerated furnishings

Edge-mounted latch | Series 6190 | ERGO double-latch for drawers



- Self-closing double-latch with adjustable closing force
- For refrigerated furnishings and underbars
- Synchronised, easy handling
- Latch variations available for fulfillment of different safety regulations
- Available lockable or non-lockable
- Self-locking model available
- Wide variety of surface colouring
- Materials: Handle - zinc die-cast; Housing - zinc die-cast or plastic



Surface variations:



Metal, chromium-plated:

lockable Art-Nr. 6190-021023
non-lockable Art-Nr. 6190-020998



Metal/plastic, grey, powder-coated, RAL 9007:

lockable Art-Nr. 6190-021020
non-lockable Art-Nr. 6190-020999



Plastic/metal, black/chromium-plated:

lockable Art-Nr. 6190-021028
non-lockable Art-Nr. 6190-021003



Metal (chromium-plated), black, RAL 9005:

lockable Art-Nr. 6190-021026
non-lockable Art-Nr. 6190-021000

Option:



Strike, adjustable:
Art-Nr. 6188-020207



Spacer, 5 mm:
Art-Nr. 6188-020208



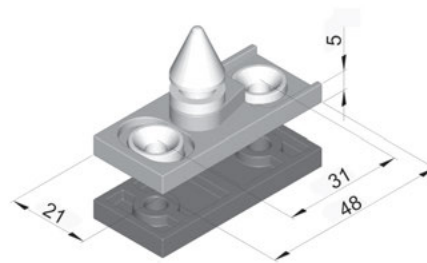
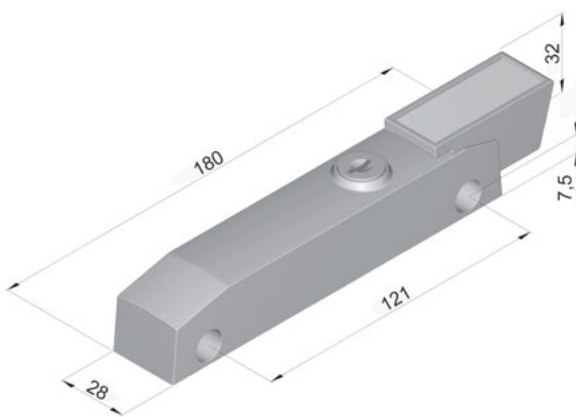
Profile pipe, anodized aluminum
Upon request

Locking technology for refrigerated furnishings

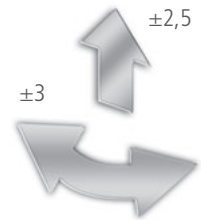
Edge-mounted latch | Series 6186 | PRESTO



- Self-closing double-latch with push-button
- For refrigerated furnishings, commercial refrigeration, cooling chambers and underbars
- Self-locking
- Unlatches via push-button when locked
- Available lockable or non-lockable
- Materials:
Housing - zinc die-cast;
Push-button - zinc die-cast or plastic



Adjustability



Surface variations:



Chromium-plated:

lockable
non-lockable

Art-Nr. 6186-020198
Art-Nr. 6186-020273



Chromium-plated/black:

lockable
non-lockable

Art-Nr. 6186-020298
Art-Nr. 6186-020297

Option:



Strike:

Art-Nr. 6186-020202



Spacer, 5 mm:

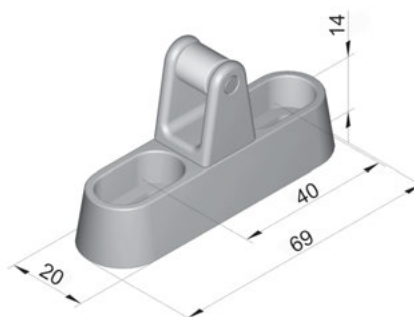
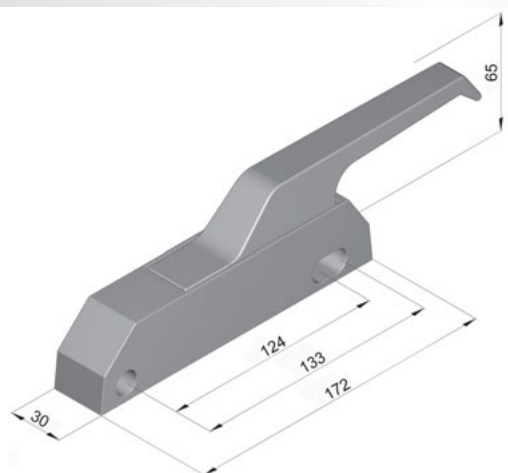
Art-Nr. 6186-020423

Locking technology for refrigerated furnishings

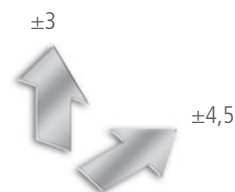
Edge-mounted latch | Series 6201 | DUPLO



- Self-closing latching system
- For refrigerated furnishings, commercial refrigeration, cooling chambers, underbars and many more applications
- Latch variations available for fulfillment of different safety regulations
- Wide variety of surface colouring
- Materials:
Housing - zinc die-cast;
Strike - stainless steel



Adjustability



Edge-mount latch including strike:



Chromium-plated:
Art-Nr. 6201-020001

Edge-mount latch including strike:



Chromium-plated/red:
Art-Nr. 6201-020001

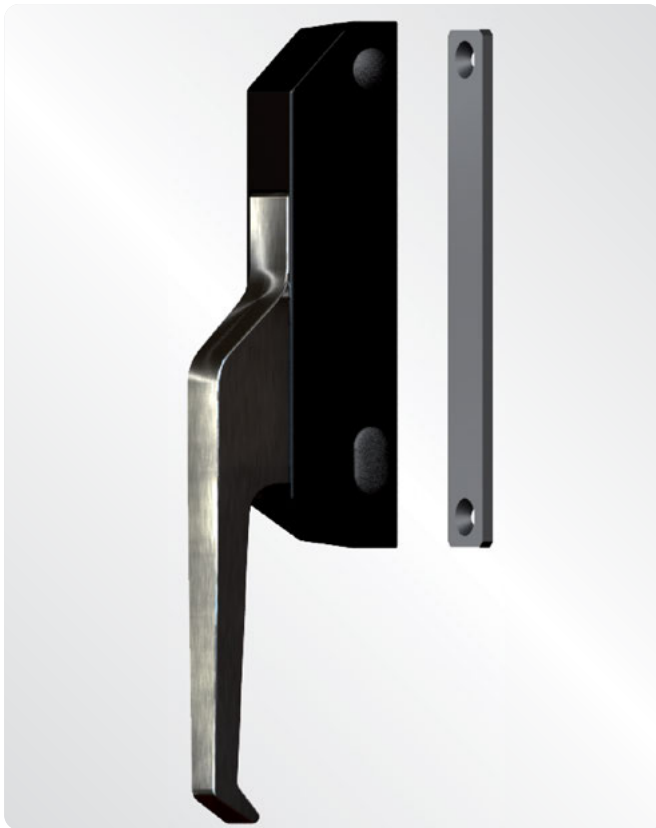
Option:



Strike:
Art-Nr. 6200-020921

Locking technology for refrigerated furnishings

Edge-mounted latch | Series 6202 | MAGNETO



- Self-closing latch with variable closing force
- For trolleys, refrigerated furnishings, hinged doors/hatches, drawers and more
- Magnetic latching system
- Closing force 150N, 300N and 450N available
- Different surface finishes available *
- Material:
Handle and housing - cathodic dip painted (black);
Washer - plastic



Edge-mounted latch with push-off mechanism:

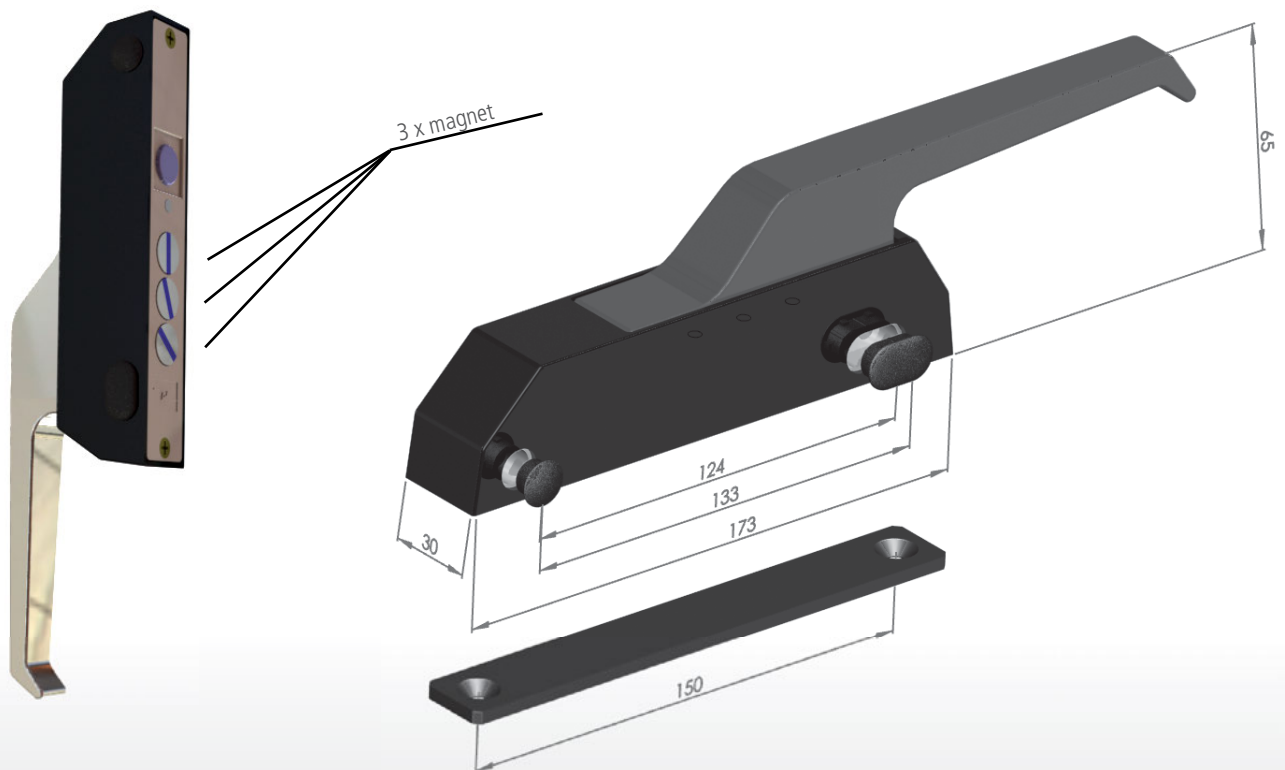
Art-Nr. 6202-020100

Option:



Washer:

Art-Nr. 6202-020090

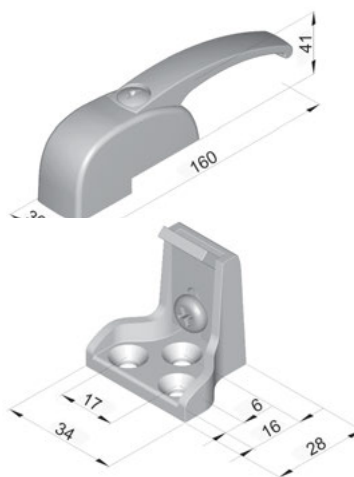


*Further options in closing force and surface finish upon request

Locking technology for refrigerated furnishings

Surface-mounted latches | 6180, 6172, 6183

- Self-closing latch in classic design
- For refrigerated furnishings, commercial refrigerators, cooling chambers and many more applications
- Latching only with closed door
- Chromium-plated
- Ergonomic handling
- Available lockable and non-lockable
- Metal / zinc die-cast
- All strikers adjustable in height



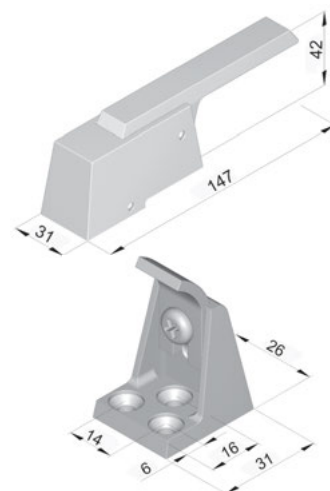
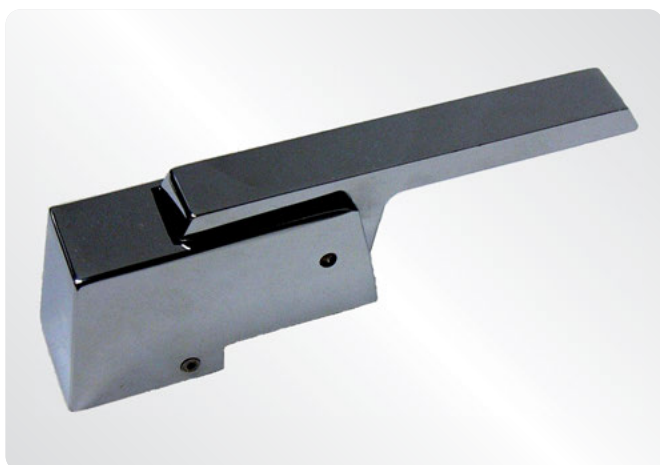
Chromium-plated, lockable:

Art-Nr. 6180-020001



Strike, adjustable:

Art-Nr. 6180-020002



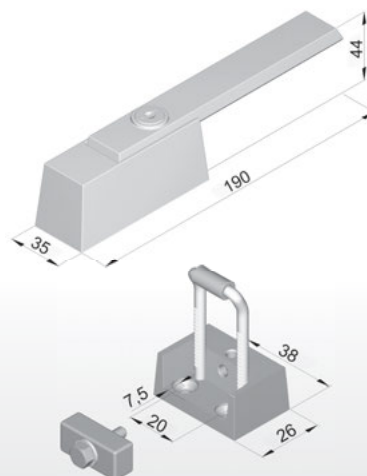
Chromium-plated, non-lockable:

Art-Nr. 6172-020167



Strike, adjustable:

Art-Nr. 6172-020169



Chromium-plated, lockable:

Art-Nr. 6183-020180



Strike, adjustable:

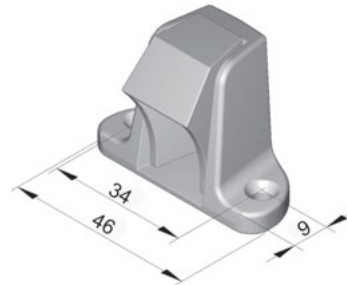
Art-Nr. 6183-020185

Locking technology for refrigerated furnishings

Surface-mounted latch | Series 6770



- Sturdy, self-closing latching system with increased closing force
- For refrigerated furnishings, commercial refrigeration, cooling chambers and more
- Latch for high demands
- Chromium-plated
- Strike adjustable in height
- Material: Zinc die-cast



Latch, metal, chromium-plated:

Art-Nr. 6770-020211



Strike, metal, chromium-plated:

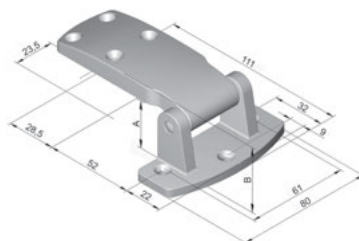
Art-Nr. 6770-020212

Locking technology for refrigerated furnishings

Hinge | Series 4480



- Classic, sturdy hinge for high demands
- For refrigerated furnishings, underbars and more
- To be used for left- and right-hinged doors
- Available for varying door offset dimensions
- Door weight capacity of max. 25 kg (2 hinges)
- Chromium-plated
- Material: Metal / Zinc die-cast



Hinge, metal:

offset 20 mm / total height 30 mm
Art-Nr. 4480-020060

offset 24 mm / total height 34 mm
Art-Nr. 4480-020062

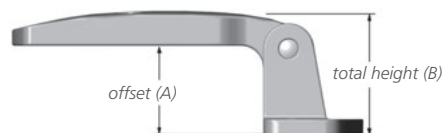
offset 28 mm / total height 38 mm
Art-Nr. 4480-020064

Option:



Spacer for lug, 2 mm:

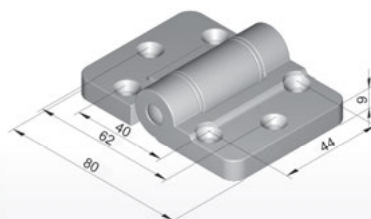
Art-Nr. 4480-140054



Hinge | Series 7900



- For flush doors
- For refrigerated furnishings, underbars and more
- To be used for left- and right-hinged doors
- Available for varying door offset dimensions
- Door weight capacity of max. 25 kg (2 hinges)
- Chromium-plated
- Material: Metal / Zinc die-cast



Hinge, metal:

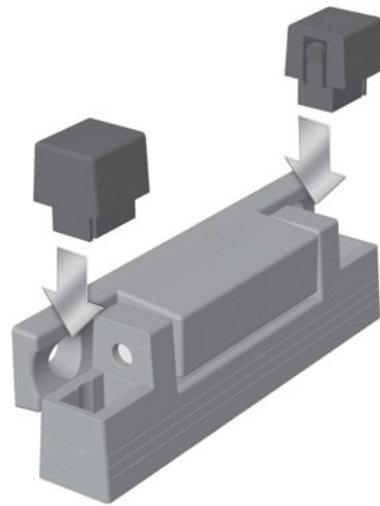
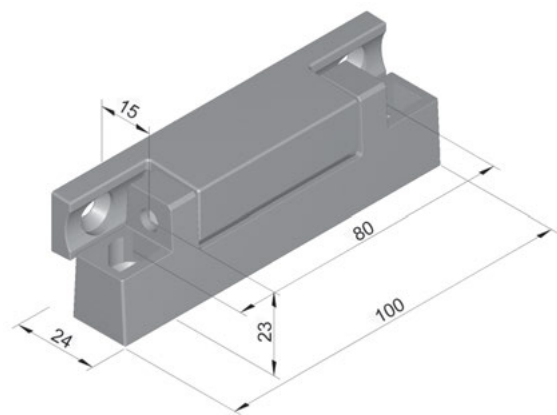
Art-Nr. 7900-020016

Locking technology for refrigerated furnishings

Edge-mounted hinge | Series 4500



- Edge-mounted door hinge in modern and classy design
- For refrigerated furnishings, underbars and many more applications
- Quick and easy assembly
- Available for varying door offset dimensions
- Wide variety in surface colouring
- Protection against unauthorized dismantling
- To be used for left- and right-hinged doors
- Door weight capacity of max. 25 kg (2 hinges)
- Material: Lug/Leaf - metal / zinc die-cast;
Caps - plastic, black



Surface variations:



Black:

Art-Nr. 4500-020410



Chromium-plated:

Art-Nr. 4500-020430



Chromium-plated (roto-finish):

Art-Nr. 4500-020420

Option:



Spacer, plastic, 6 mm:

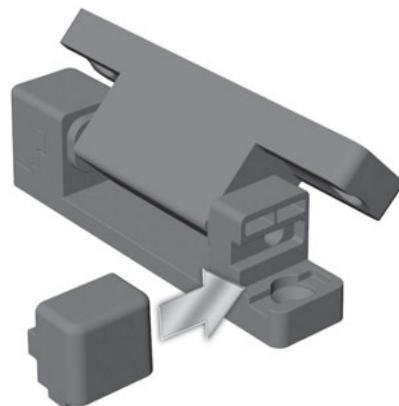
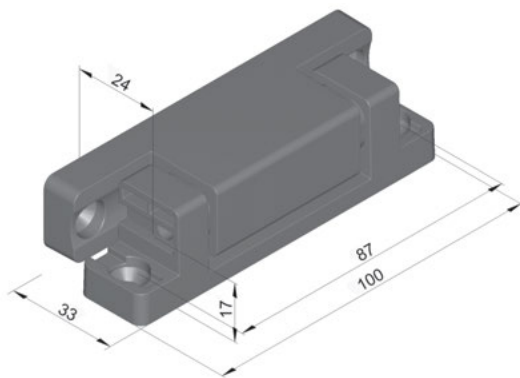
Art-Nr. 4500-020404

Locking technology for refrigerated furnishings

Edge-mounted hinge / Spring-loaded hinge | Series 4513



- Edge-mounted hinge with optional self-closing assistance
- For refrigerated furnishings, underbars and more
- Quick and easy assembly
- Protection against unauthorized dismantling
- To be used for left- and right-hinged doors
- Spring-loaded hinge self-closes when door is open 45° or less
- Door weight capacity of max. 20 kg (2 hinges)
- Wide variety of surface colourings
- Material: Hinge - plastic (weatherproof);
Springs - stainless steel



Variations:



Black, spring-loaded:

Art-Nr. 4513-020650



Black, without spring:

Art-Nr. 4513-020651

Option:

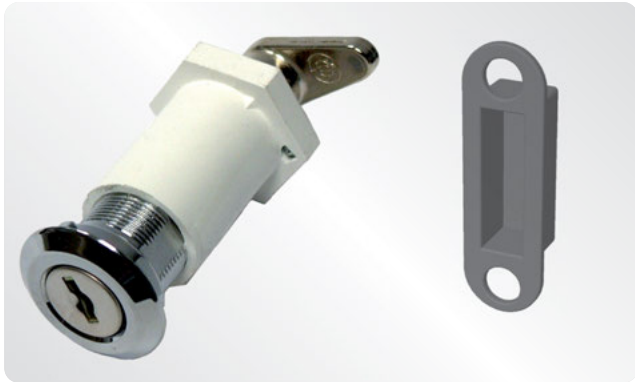


Spacer, 4,5 mm:

Art-Nr. 4513-020652

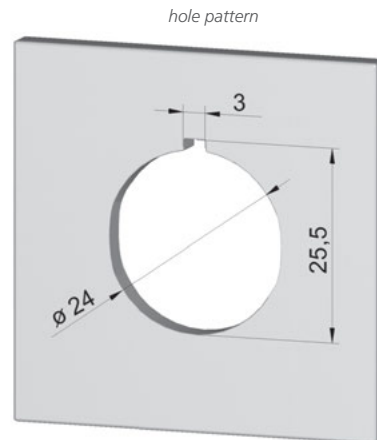
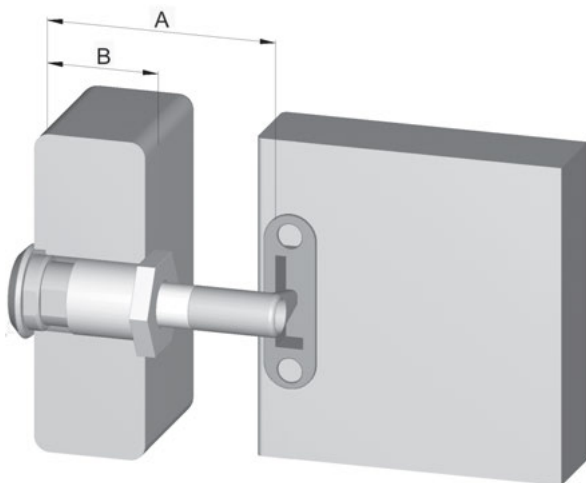
Locking technology for refrigerated furnishings

Cylinder-lock | Series 5801



- Modular locking-system
- For refrigerated furnishings, commercial refrigerators, underbars and more
- Available for different door thicknesses
- Quick and easy assembly
- Different lockings available
- Materials: Housing - metal; Pipe-nut - plastic; Locking detent - plastic

Cylinder system:



Cylinder-lock:



Chromium-plated:
Art-Nr. 5801-020833

Locking detent:



Plastic:
Art-Nr. 5802-010161

Pipe-nut:



B = 29 - 32 mm: Art-Nr. 5801-020828
B = 35 - 42 mm: Art-Nr. 5801-020829
B = 42 - 49 mm: Art-Nr. 5801-020830
B = 49 - 56 mm: Art-Nr. 5801-020831
B = 56 - 63 mm: Art-Nr. 5801-020832

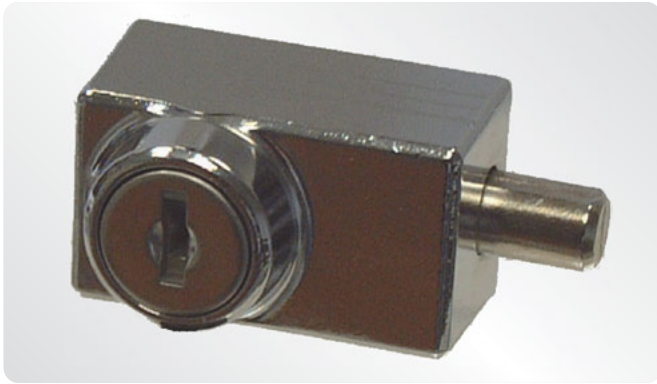
Locking bolt:



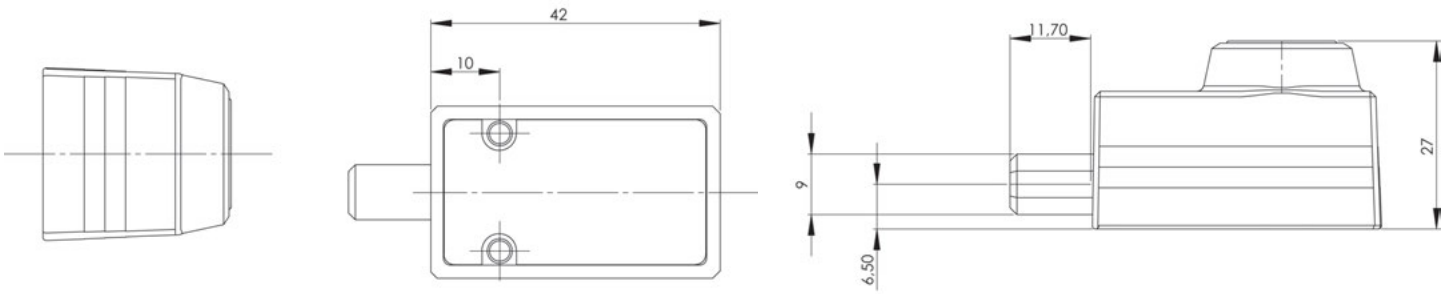
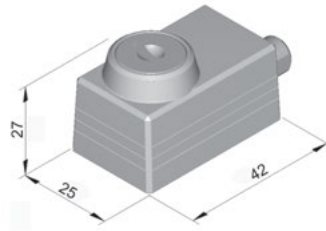
A = 85 mm Art-Nr. 5983-020636
A = 82,5 mm Art-Nr. 5983-020647
A = 78,5 mm Art-Nr. 5983-020633
A = 72,5 mm Art-Nr. 5983-020646
A = 65 mm Art-Nr. 5983-020648
A = 55,5 mm Art-Nr. 5801-020827

Locking technology for refrigerated furnishings

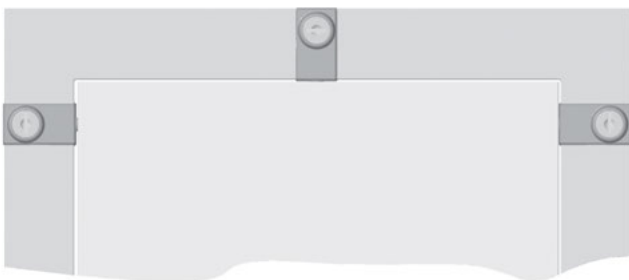
Door- and drawer lock | Series 5811



- Sturdy, latching system
- For doors and drawers
- Chromium-plated
- To be used with right- and left-hinged doors
- Protected against unauthorized dismantling
- Key can be removed in "open" and "closed" positions
- Material: Zinc die-cast



Options for installation::



Door- and drawer lock:

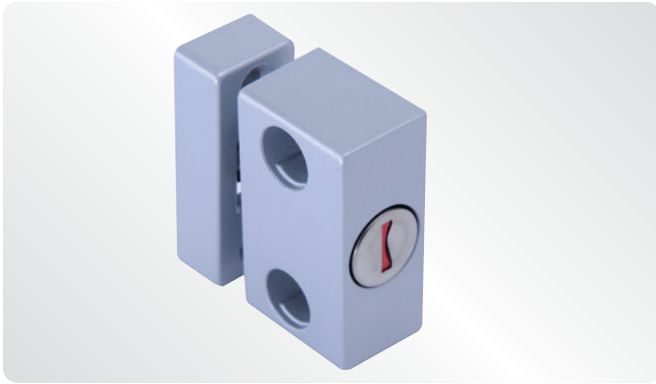


Chromium-plated (roto-finish):

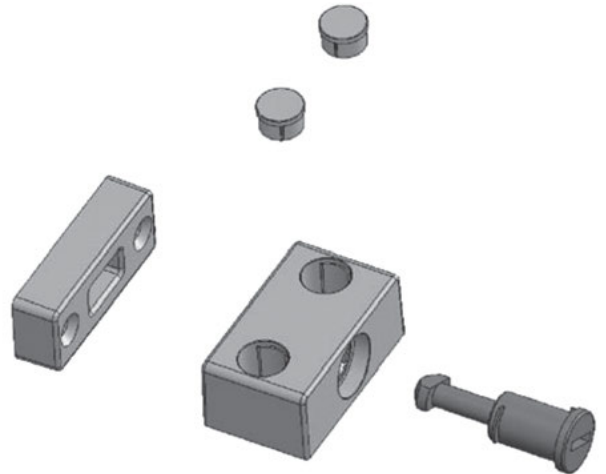
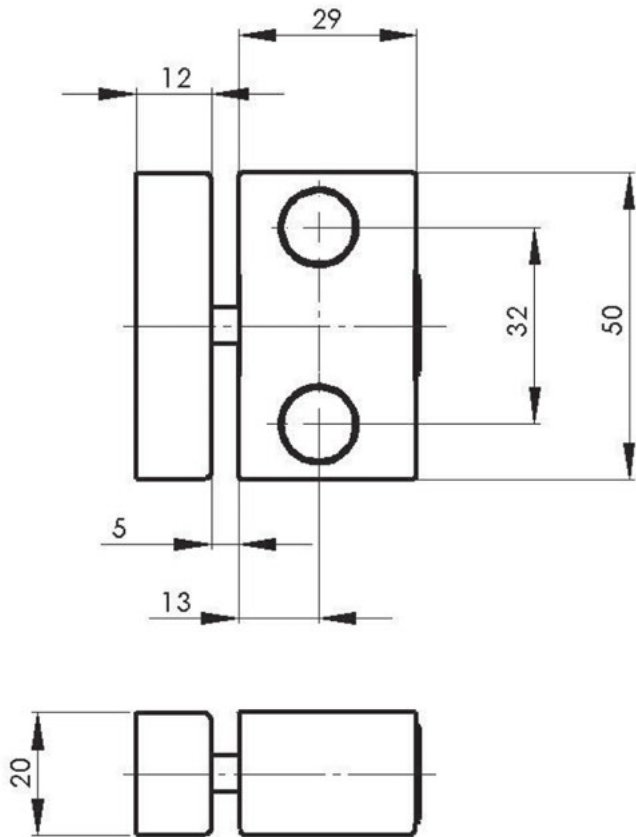
Art-Nr. 5811-020001

Locking technology for refrigerated furnishings

Door- and drawer lock | Series 5812



- For doors and drawers
- Quick and easy assembly
- Wide variety of surface colourings
- To be used with right- and left-hinged doors
- Material:
Zinc-die-cast;
Cover plugs - plastic



Door- and drawer lock:



Powder-coated, silver (anodized):

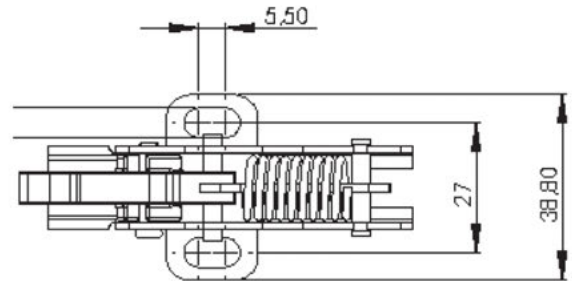
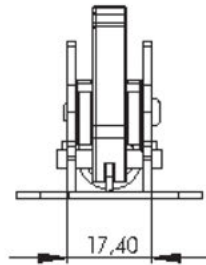
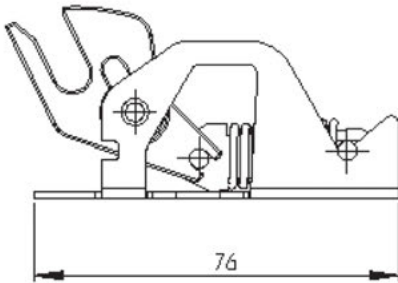
Art-Nr. 5812-020010

Locking technology for refrigerated furnishings

Spring-loaded catch | Series 5710



- Self-closing latch for invisible installation
- Ideal for "clean front" designs
- For drawers and other applications
- Also closes with catch in closed position
- Material:
 - Catch mechanism - galvanized steel / plastic;
 - Cover - plastic;
 - Strike - galvanized steel / plastic



Cover, plastic:

Art-Nr. 5710-020055



Spring-loaded catch:

Art-Nr. 5710-020050

Option:



Strike:

18 mm Art-Nr. 5710-020060
25,5 mm Art-Nr. 5710-020070
33,5 mm Art-Nr. 5710-020075

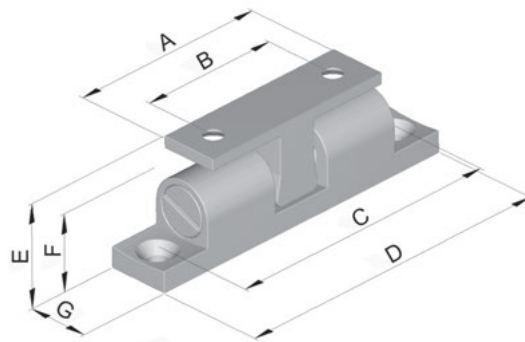
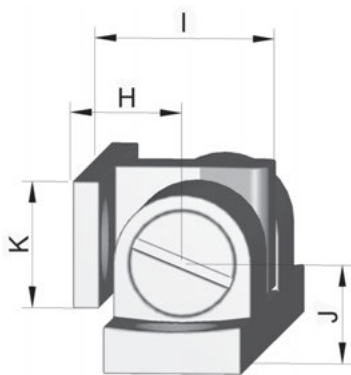
Locking technology for refrigerated furnishings

Inside latch | Series 6195 - double ball catch



- Classic, space-saving catch-lock
- Universal use
- Catch-functionality through spring-loaded balls
- Adjustable locking-force
- Solid brass-strike
- Material: Brass, galvanized or uncoated

Size 1:	Size 2:	Size 3:
A = 28.5 mm	A = 37 mm	A = 42 mm
B = 20 mm	B = 28 mm	B = 30 mm
C = 41 mm	C = 50 mm	C = 57 mm
D = 49 mm	D = 59 mm	D = 69 mm
E = 13 mm	E = 15 mm	E = 20 mm
F = 11 mm	F = 13 mm	F = 15 mm
G = 9 mm	G = 11.5 mm	G = 12.5 mm
H = 6 mm	H = 7 mm	H = 9 mm
I = 11.3 mm	I = 13 mm	I = 15 mm
J = 7 mm	J = 8 mm	J = 9 mm
K = 8.5 mm	K = 11.5 mm	K = 12.5 mm



Surface variations:



Brass, uncoated:

size 1 – Art.-Nr. 6195-041900
size 2 – Art.-Nr. 6195-041902
size 3 – Art.-Nr. 6195-041904

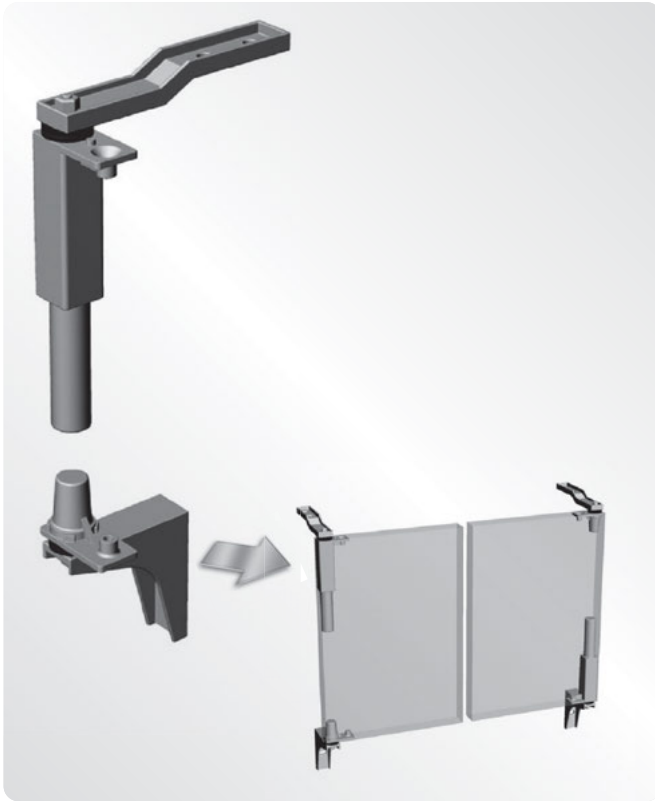


Brass, galvanized:

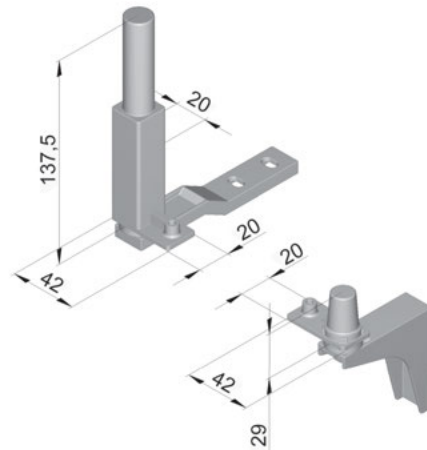
size 1 – Art.-Nr. 6195-041901
size 2 – Art.-Nr. 6195-041903
size 3 – Art.-Nr. 6195-041905

Locking technology for refrigerated furnishings

Spring-loaded cartridge hinge | Series 3653 | DREMO



- Hinge-system with integrated self-closing functionality
- For commercial refrigerators
- To be used with right- and left-hinged doors
- Self-closing
- Cartridge and step bearing to be foamed inside the door leaf
- Track bearing adjustable horizontally and vertically
- Opening angle 180°
- Material: Bearing - metal/zinc die-cast;
Door bearing sleeve, bushings and spacer disc - plastic



Components:



Spring-loaded cartridge, metal:

Art-Nr. 3653-020616



Door bearing, metal:

Art-Nr. 3653-020617



Door bearing sleeve:

Art-Nr. 3653-020518



Washer, brass:

Art-Nr. 3653-020516



Spacer disc, plastic:

Art-Nr. 3653-020517



Bear bushing, plastic:

Art-Nr. 3653-020519



Upper step bearing, metal:

Art-Nr. 3653-020618



Bottom step bearing, metal:

Art-Nr. 3653-020619

Locking technology for refrigerated furnishings

Camlock | Series 0253



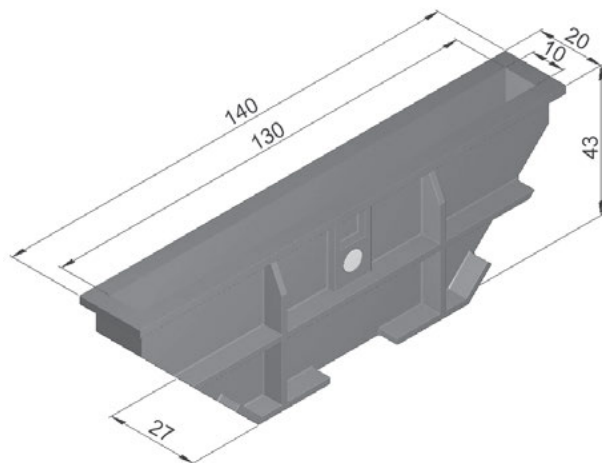
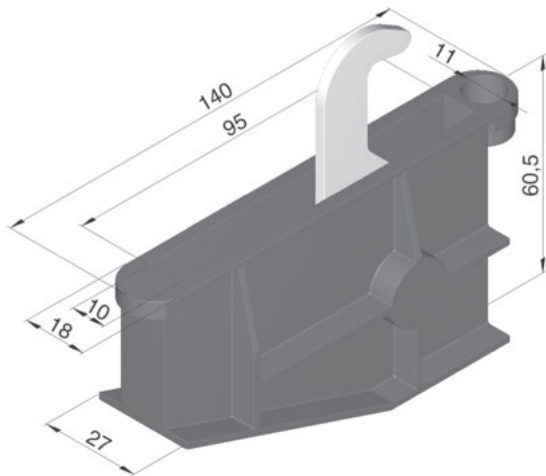
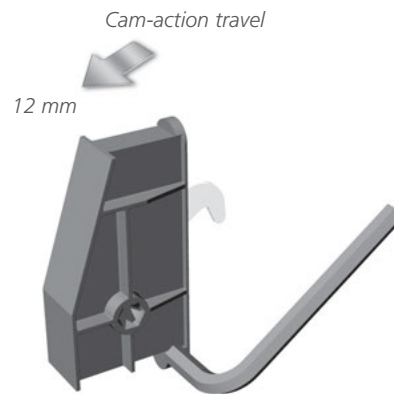
- Economy-minded latching system for flexible assembly of foamed wall-panels
- Lasting tightening force through cam-action
- Tightening hook safely secured for transport
- Suitable for multiple assembly and dismantling
- Material: Housing - plastic;
Mechanical parts - steel / zinc die-cast



Clamping element



Counter part



Camlock:



Clamping element:

Art-Nr. 0253-020001



Counter part:

Art-Nr. 0253-020002



RAHRBACH
Verschlusstechnik

HAPPY-GO-LUCKY!

Easy to operate, ingenious technology and satisfied clients due to innovative locking technology of Rahrbach-latches für heated applications

Hardware for heated applications

Latching mechanism



6303



6334



6339

Pendulum latch



6303



6333

Cam-action latch



6302

Pressing lever latch



6300



6300

Drive bolt latches



0751



0753



6337

Handle option



6351

Edge-mounted latches



6200



6202



6188

Electro-magnetic latches



8440



8410

Electro-motoric latches



8800

Edge-mounted hinge



4500

Strike blocking unit for access control



6311

Anitbacterial handle-surfaces



NEW!

Hardware for heated applications

General instruction for RAHRBACH hardware for heated applications

Information on this page and other mediums of Information pertaining to these items, are based on a single test with this product and article. The texts indicated in the catalog and website alone serve the description of the product and are not to be understood as characteristics in the sense of law. The determination of the life span as well as the definition of technical data take place in accordance with Rahrbach GmbH internal examinations following generally recognized regulations and/or standards.

Findings reported here, are unique and are subject to change with varying applications and are to be viewed as general guideline. Safety regulations concerning local application are to be examined by the customer in order to evaluate suitability of the product for the its intended use. We recommend to test products under actual conditions in order to evaluate its useability. This is especially important when used in the sense of a panic lock. The final user must be informed about handling, use, maintenance and servicing of the latches, in particular with safety-related applications. Inappropriate treatment, storage, maintenance, repair and/or influencing and/or subsequent treatment can lead to disturbances and damage during operation. We point out that Rahrbach GmbH does not accept liability if our products are changed, unless this by us expressly for specific case of application and being agreed upon in writing. In case questions or problems occur in the field, the equipment manufacturer or Rahrbach it to be contacted immediately. It is recommended for the original equipment manufacturer to prepare a manual.

CE - Marking

CE – marking for the appliance, considering valid guidelines and standards, is to be issued by the equipment manufacturer, since our latches are only components of said equipment. Guidelines for production of manuals and instructions for devices are to be taken from valid standards and guidelines.

Mounting of latches

The choice of mounting method and choice of mounting material lies with the door manufacturer. Since the maximum strain on latches also depend on the nature of the mounting surface (i.e. metal sheet) and mounting materials depend on the material of the wall, frame or door, no mounting material will be supplied with our latches.

Mounting of hinges

The choice of mounting method and choice of mounting material lies with the door manufacturer. Since the maximum strain on latches also depend on the nature of the mounting surface (i.e. metal sheet) and mounting materials depend on the material of the wall, frame or door, no mounting material will be supplied with our latches.

The number of hinges to be used (2/3 or more) and their distance to each other, are to be chosen by the door manufacturer depending on the use.

The condition of the door gasket can affect the life span of a hinge. Please ensure to examine the contact pressure close to the hinges. For height adjustable hinges, an even adjustment is important to prevent increased wear for the hinge curves.

Hardware for heated applications

Cleaning/Maintenance

For cleaning of latches/hinges, we recommend mild cleaning agents.

The latches/hinges are usually maintenance-free. Nevertheless, on occasion, at least once a year, mounting and functionality should be checked for possible damage. In case of damage, these parts must be exchanged for safety reasons. Electromechanical latches are maintenance-free. The latches must not be oiled and/or greased. Any contact with cleaning agents of any kind should be avoided.

Temperature range latches

Care must be taken to ensure the contact temperature does not exceed maximum permissible legal values. Rahrbach GmbH accepts no warranty, the user is obliged to evaluate the area of usage.

The temperature range for electromagnetic latches lies between 0-60 °C. The maximum permissible temperature should not exceed 60°C. With higher ambient temperature, the use and safe functionality of operation is to be examined by the user. Rahrbach GmbH does not accept liability with a use of temperatures > 60 °C.

Explanation for trip-free release

A switching device works during an opening procedure with blocked door / cover, unlocking the latch and switching-off the solenoid. Thus, the catch is unlocked and the inserted Solenoid coil switches off. The door/cover can be locked again after opening only.

Guidances/documents/instructions

For the use of our latches in your devices, kindly consider the latch-specific assembly instruction with instructions, technical characteristics and functional descriptions.

These latches will be supplied to original equipment manufacturers only and to be allowed for free trade via dealers. For supplementing information the Rahrbach GmbH is gladly at your disposal at any time.

Characteristics

Use and positioning of door stoppers are to be examined by the door manufacturer for suitability. A door wedging with foreign material between door gap and framework is inappropriate.

Please consider the maximum opening angle of the hinges, in order to prevent destruction at the hinge or its attachment. The maximum indicated door weights are related to use of at least 2 hinges and contain total weight of the door including all components, e.g. latches, shieldings and other installations.

All latches and hinges are RoHS compliant.

Parts illustrated blue in the catalogue sheet, are not part of our scope of supply and are optional. If necessary, these parts can be ordered specially with Rahrbach or to be produced by the client.



NEW!

Latching mechanism

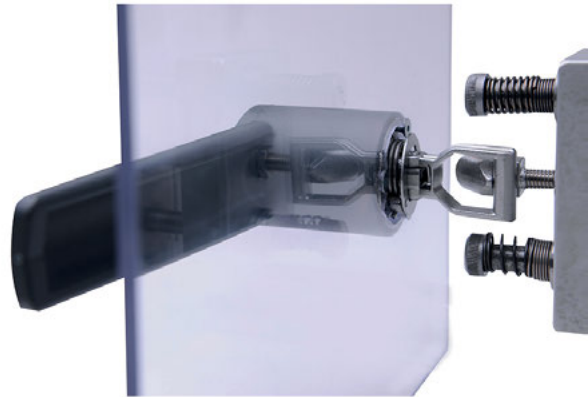
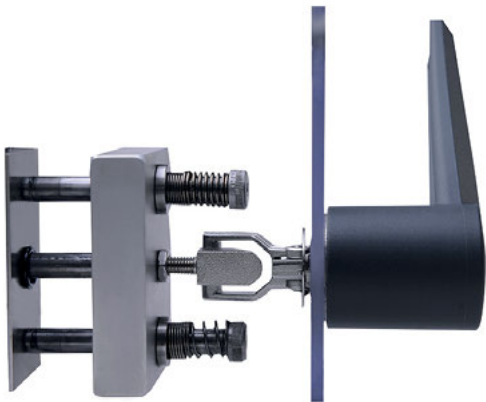
Series 6339

Hardware for heated applications

NEW | Latching mechanism | Series 6339

- Central one-point locking system with high gasket pressure
- Ideal for table devices and stand alone applications
- Pull-to-shut function of up to 7 mm
- Two-step opening for safety vent position
- Compact built for safe spacing option
- Complementary handle to 6334 and 6337 series
- Left and right hand available
- Handle customization upon request.
- Material:
 - Stainless steel
 - Zinc dye-cast
 - Plastic

Locking variations:



Variations:



Latching mechanism, mounted, back:

Art.-Nr. 6339-020001

Stand alone unit latch, left hand, handle grey:

Art.-Nr. 6339-020002

Options:



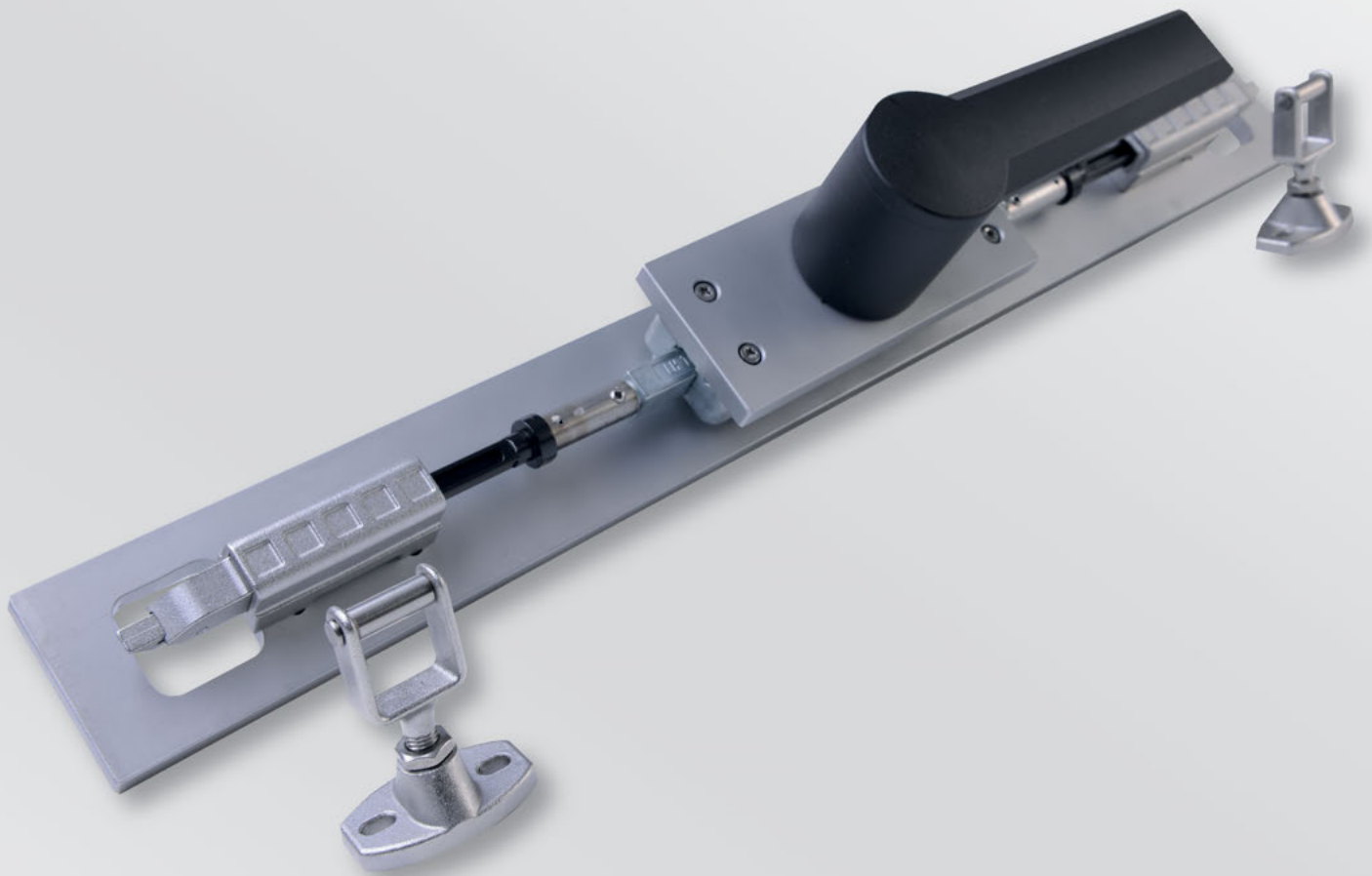
Strike, 2-step, opening:

Art.-Nr. 6303-020022



Hygiene insert:

Art.-Nr. 6333-020500



NEW!

Drive bolt latch

Series 6337

Hardware for heated applications

Drive bolt latch | Series 6337

- Two-point locking system containing stainless steel components for more endurance and temperatur critical enduses
- For table devices and particularly for stand alone appliances
- Seamless power transmission through drive bolt technique and reinforces gear
- Safety vent position
- Low abraision of the components besides high gasket pressure
- Easy door closing
- Hygiene comfort
- Complementary handle to 6334 and 6339 series
- Handle customization upon request
- Material:
 - Stainless steel
 - Zinc dye-cast
 - Plastic

Variations:



Handle, front mounted right hand:

Art.-Nr. 6337-0200110

Handle, front mounted left hand:

Art.-Nr. 6337-0200111



Strike:

Art.-Nr. 6337-020300



Gear unit:

Art.-Nr. 6337-020010



Drive bolt element:

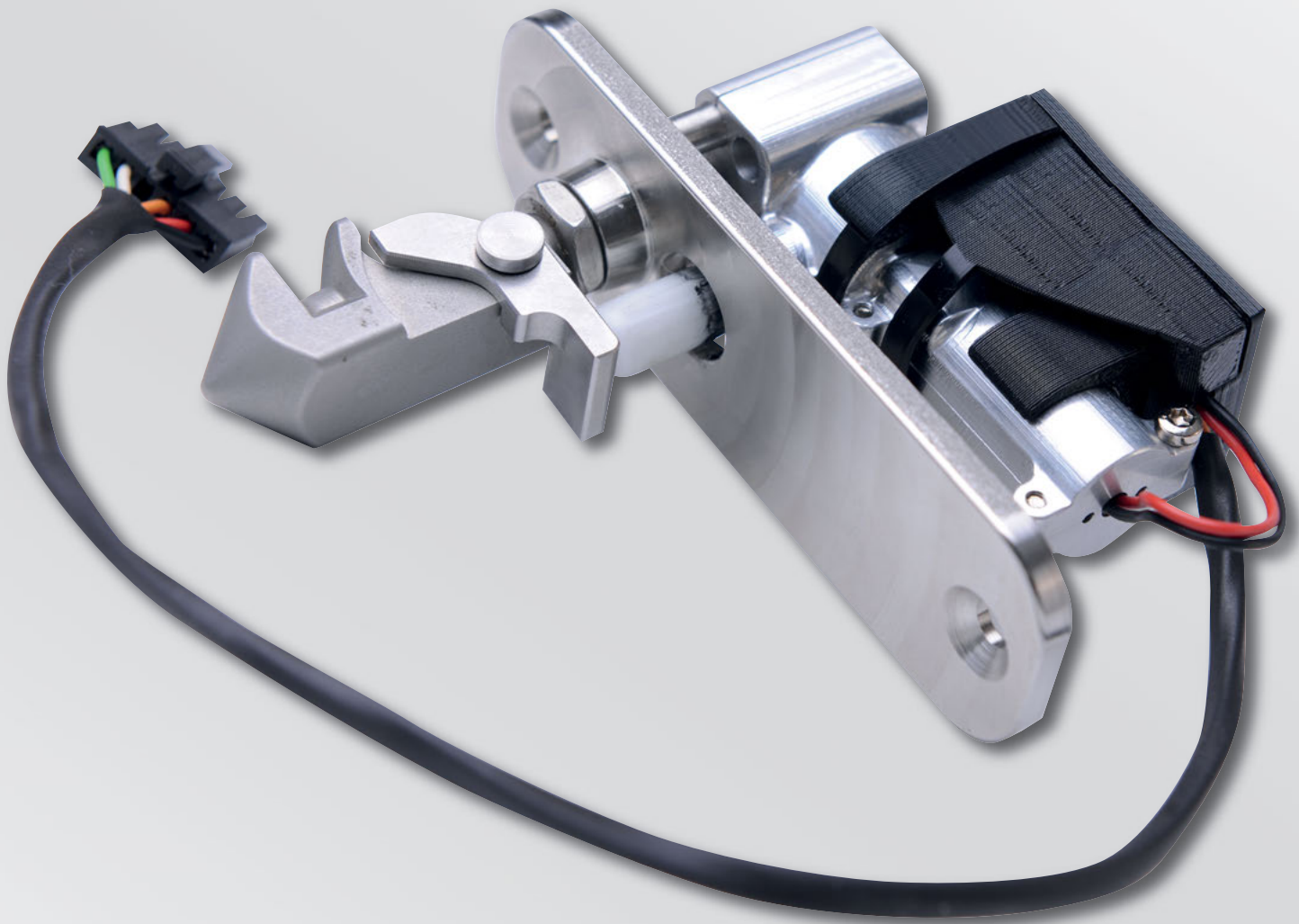
Art.-Nr. 6337-020050

Optional:



Square bar pin,
variable length*

* Upon request



NEW!

Strike blocking unit

Series 6311

Hardware for heated applications

Strike blocking unit | access control | 6311

- Space-saving installation options
- Blocks against unauthorized opening during operation
- Inhibits circumvention of safety-related functions
- 1- or 2-step opening
- Ideal for temperature-critical installation
- Adaptable / upgradable to system 6303, 6333 and 6334
- Material: Stainless steel



Strike blocking unit 6V

One-step opening: Art-Nr. 6311-020010
two-step opening: Art-Nr. 6311-020011



NEW!

Antibacterial handle-surfaces

Hardware for heated applications

Antibacterial handle-surfaces*

- Inhibits spreading of germs on operating handles
- High endurance and free of migration for lasting, hygienic protection
- Handle components from area of heated applications
- Material: Depending on field of use

Seite 2 von 6 Seiten
Datum: 19.12.2011

ISEGA - Forschungs- und Untersuchungs-Gesellschaft mbH Aschaffenburg
Auftrag Nr.: 5718/4

Probenmaterial:
Zur Untersuchung lag das folgende Probenmaterial vor:
siehe nachfolgende Seite

Durchführung der Untersuchung:
Prüfzeitraum: 01.12.2011

1. Prüfung der antimikrobiellen
Die Bestimmung erfolgte gemäß DIN EN 18254.
Die Prüflinge wurden mit dem Testorganismen nach dem Beimpfen geprüft. Die verbleibenden Prüflinge wurden ebenfalls mit Neutralisationslösung geprüft.

Probe	t_0 [KBE/Prüfling]
Mittelwert	7,65 x 10 ⁶
Standardabweichung	123982,3

Probe	t_1 [KBE/Prüfling]
Mittelwert	---
Standardabweichung	---

a) Gesamtkeimzahl:

Probe	Mittelwert	Standardabweichung
Probe 3	82,94	15,03

b) %-Reduktion:

Probe	Mittelwert	Standardabweichung
Probe 3	---	---

c) log-Reduktion:

Probe	Mittelwert	Standardabweichung
Probe 3	---	---

Das zur Untersuchung eingereichte Probenmaterial gemäß JIS Z 2801:2006 untersucht. Bei einem log₁₀ Wirksamkeit vor (JIS Z 2801:2000, Abschnitt 4).

Die Ergebnisse beziehen sich auf das angelieferte Probenmaterial. Die Verantwortung des Prüferinstitutes.
Die Akkreditierung gilt für die im Prüfbericht mit * gekennzeichneten Ergebnisse.

Die Ergebnisse sind in den Tabellen dargestellt.

T_0 = Keimzahl/Prüfling
 $T_{1,Pr}$ = Keimzahl/Prüfling
 $T_{1,Nur}$ = Keimzahl/Prüfling
Log. Reduktion = Wert

Der Bericht bezieht sich nur auf die hier beschriebenen Proben. Informationen zu statistischen Daten zum Ergebnis sind auf Anfrage erhältlich.
Nichtakkreditierte Messungen waren zum Zeitpunkt der Beurkundung noch nicht validiert. Einzelne Prüfungen wurden wegen des eingeschränkten Anwendungsbereichs nicht zur Akkreditierung vorgesehen. Die für die Bewertung notwendige Genauigkeit ist in diesen Fällen durch das interne Qualitätsmanagement gewährleistet.

Geschäftsführer: Dr. Ralph Derra – Handelsregister: Aschaffenburg HRB 3329
Erlaubnisort und Gerichtsstand Aschaffenburg
Akkreditiert gemäß DIN EN ISO 15189 (D-Pr., 14.08.2011-02) und gemäß DIN EN 45011 (D-AC-25-002-03)

BERICHT
Auftrag Nr.: 5718/4 Seite 1 von 6 Seiten
Auftraggeber: Rahrach GmbH
Nordring 62
42579 Heiligenhaus
Auftragsdatum: 22.11.2011
Eingang des Probenmaterials: 24.11.2011
Herkunft des Probenmaterials: vom Auftraggeber
Untersuchungszweck: Prüfung der antimikrobiellen Wirksamkeit

63704 Aschaffenburg, Postfach 100565
63741 Aschaffenburg, Zeppelinstr. 3-5
Germany
Telefon +49 (0) 60 21 / 49 89-0
Telefax +49 (0) 60 21 / 49 89-30
Email info@isega.de
http://www.isega.de
Aschaffenburg, 19.12.2011
Bearb.: Dr. Riedlinger
schu

(Dr. Derra) (Dr. Riedlinger) /Mikrobiologin

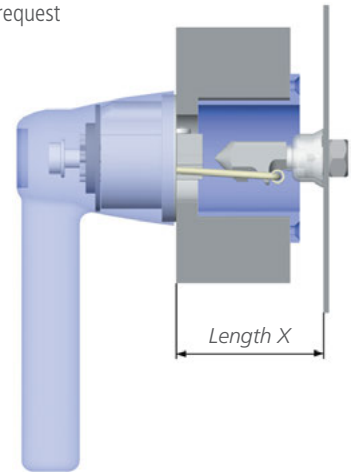
* Upon request / minimum order quantities apply

Hardware for heated applications

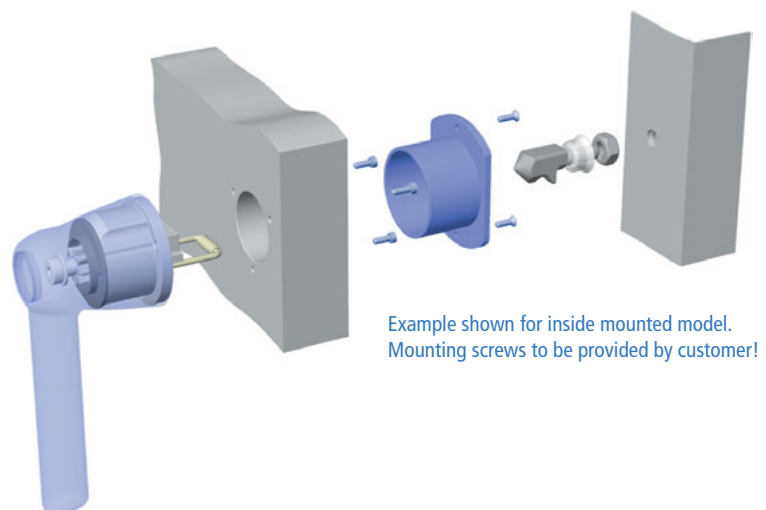
Latching mechanism | Series 6303



- Self-closing latch
- Universal use
- 1- or 2-step opening
- Wire bracket in varying lengths depending on door thickness
- Fine adjustment via strike thread
- Handle can be customized upon request
- Material:
 - Housing - zinc die-cast;
 - Axles - zinc die-cast;
 - Bushing - plastic;
 - Wire bracket - stainless steel;
 - Strike - stainless steel



Locking variations:



Variations:



Housing, metal:

- Length X = 59 - 69 mm Art.-Nr. 6303-020500
- Length X = 66 - 76 mm Art.-Nr. 6303-020501
- Length X = 81 - 91 mm Art.-Nr. 6303-020502

Option:



Strike, 1-step opening:
Art.-Nr. 6303-020022



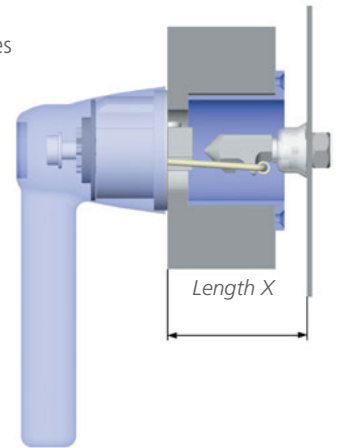
Strike, 2-step opening:
Art.-Nr. 6303-020030

Hardware for heated applications

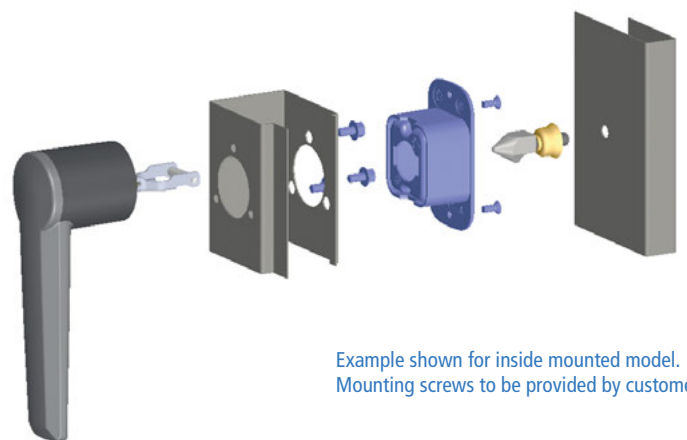
Latching mechanism | Series 6334



- Enhanced functionality for self-closing latches
- More endurance with high gasket-pressure
- Compact size for narrow door-profiles
- Resistant against aggressive climate
- Optional with adapter for 6 mm or 8 mm glass doors
- Locking lever in varying length depending on door thickness
- Fine-adjustment via strike thread
- Handle can be customized upon request
- 1- or 2-step opening
- Universal use
- Material:
Housing - zinc die-cast;
Handle - plastic;
Axles - zinc die-cast;
Locking lever - stainless steel;
Strike - stainless steel



Locking variations:



Example shown for inside mounted model.
Mounting screws to be provided by customer!

Variations:



Latching mechanism, without handle:

Length X = 50.0 - 60.0 mm	Art-Nr. 6334-020010
Length X = 55.0 - 65.0 mm	Art-Nr. 6334-020015
Length X = 61.5 - 71.5 mm	Art-Nr. 6334-020020
Length X = 69.5 - 79.5 mm	Art-Nr. 6334-020025



Latching mechanism, with handle:

Length X = 50.0 - 60.0 mm	Art-Nr. 6334-020050
Length X = 55.0 - 65.0 mm	Art-Nr. 6334-020055
Length X = 61.5 - 71.5 mm	Art-Nr. 6334-020060
Length X = 69.5 - 79.5 mm	Art-Nr. 6334-020065

Option:



Strike, 1-step opening:

Art-Nr. 6303-020022



Strike, 2-step opening:

Art-Nr. 6303-020030



Hygiene insert:

Art-Nr. 6333-020500

NEW!

Hardware for heated applications

NEW | Latching mechanism | Series 6339



- Central one-point locking system with high gasket pressure
- Ideal for table devices and stand alone applications
- Pull-to-shut function of up to 7 mm
- Two-step opening for safety vent position
- Compact built for safe spacing option
- Complementary handle to 6334 and 6337 series
- Left and right hand available
- Handle customization upon request.
- Material:
 - Stainless steel
 - Zinc dye-cast
 - Plastic

Variations:



Latching mechanism, mounted, back:

Art.-Nr. 6339-020001

Stand alone unit latch, left hand, handle grey:

Art.-Nr. 6339-020002

Options:



Strike, 2-step,
opening:

Art.-Nr. 6303-020022



Hygiene insert:

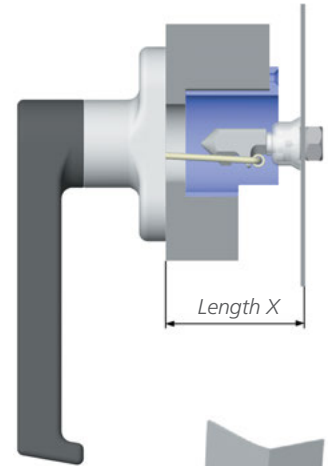
Art.-Nr. 6333-020500

Hardware for heated applications

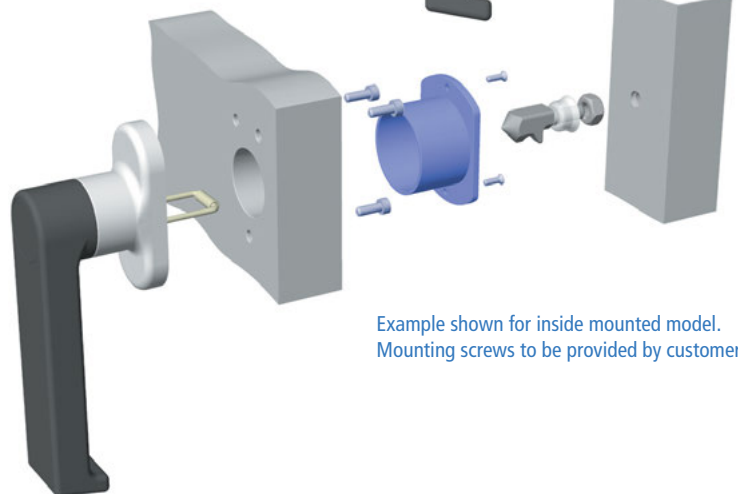
Pendulum latch | Series 6303



- Self-closing
- Can be mounted from the front or the inside of the oven door
- 1- or 2-step opening
- Wire bracket in varying lengths depending on door thickness
- Handle can be customised upon request
- Fine-adjustment via strike thread
- Material:
 - Housing - zinc die-cast;
 - Handle - plastic;
 - Axles - zinc die-cast;
 - Wire bracket - stainless steel;
 - Strike - stainless steel



Locking variations:



Variations:



Pendulum latch, for inside mounting:

Length X = 47 - 57 mm Art.-Nr. 6303-020015
 Length X = 54 - 64 mm Art.-Nr. 6303-020016
 Length X = 69 - 79 mm Art.-Nr. 6303-020017



Pendulum latch, for front mounting:

Length X = 47 - 57 mm Art.-Nr. 6303-020010
 Length X = 54 - 64 mm Art.-Nr. 6303-020011
 Length X = 69 - 79 mm Art.-Nr. 6303-020012

Option:



Strike, 1-step opening:

Art.-Nr. 6303-020022



Strike, 2-step opening:

Art.-Nr. 6303-020030

NEW!

Hardware for heated applications

Pendulum latch | Series 6333



- Enhanced functionality for self-closing latches
- More endurance with high gasket-pressure
- Resistant against aggressive climate
- Ergonomic handle
- Locking lever in varying length depending on door thickness
- Fine-adjustment via strike thread
- Handle can be customized upon request
- 1- or 2-step opening
- Universal use
- Can be mounted from front or inside
- Material:
 - Housing - zinc die-cast;
 - Handle - plastic;
 - Axles - zinc die-cast;
 - Locking lever - stainless steel;
 - Strike - stainless steel

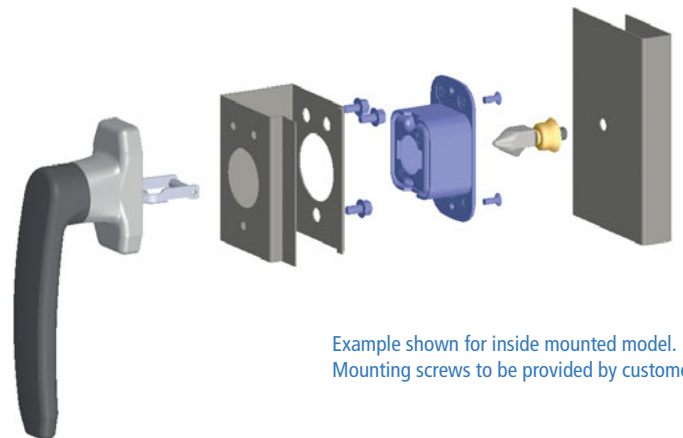
Locking variations:



1-step



2-step



Example shown for inside mounted model.
Mounting screws to be provided by customer!

Variations:



Pendulum latch, for inside door mounting:

Length X = 41.5 - 51.5 mm Art-Nr. 6333-020010
Length X = 45.0 - 55.0 mm Art-Nr. 6333-020015
Length X = 51.5 - 61.5 mm Art-Nr. 6333-020020
Length X = 59.5 - 69.5 mm Art-Nr. 6333-020025



Pendulum latch, for frontside door mounting:

Length X = 41.5 - 51.5 mm Art-Nr. 6333-020050
Length X = 45.0 - 55.0 mm Art-Nr. 6333-020055
Length X = 51.5 - 61.5 mm Art-Nr. 6333-020060
Length X = 59.5 - 69.5 mm Art-Nr. 6333-020065

Option:



Strike, 1-step opening:

Art-Nr. 6303-020022



Strike, 2-step opening:

Art-Nr. 6303-020030

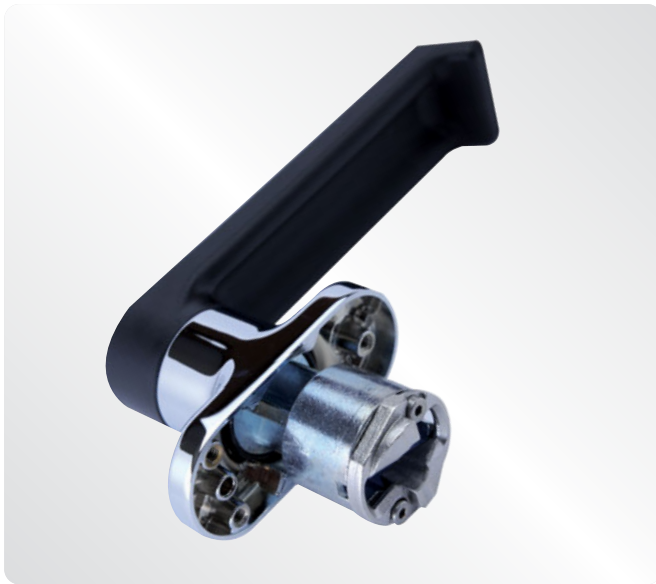


Hygiene insert:

Art-Nr. 6333-020500

Hardware for heated applications

Cam-action latch | Series 6302



- Easy handling of high gasket pressure
- Can be mounted from the frontside or the inside of the oven door
- Compressing distance 4 mm
- Fine adjustment via strike thread
- Handle customisation upon request
- Material:
 - Handle - plastic;
 - Housing - zinc die-cast, chromium-plated or powder coated;
 - Axles - zinc die-cast;
 - Cam - stainless steel;
 - Strike - stainless steel;



Variations:



Cam-action latch,
inside mounted, left hand:

Art.-Nr. 6302-020020



Cam-action latch,
frontside mounted, left hand:

Art.-Nr. 6302-020060



Cam-action latch,
inside mounted, right hand:

Art.-Nr. 6302-020010



Cam-action latch,
frontside mounted, right hand:

Art.-Nr. 6302-020050

Option:



Strike:

Art.-Nr. 6302-020030

Hardware for heated applications

Press lever latch | Series 6300



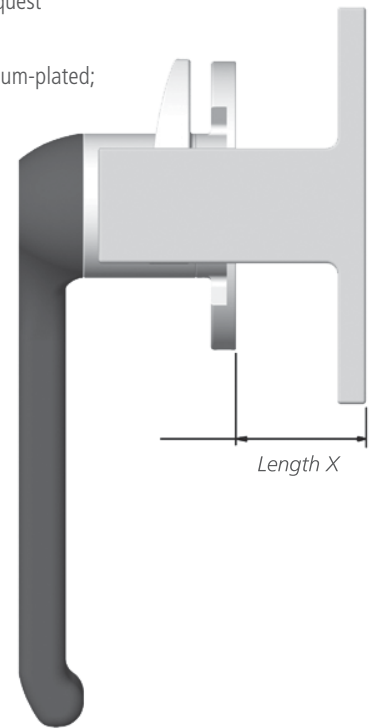
- Easy handling of high gasket pressure
- Compressing distance 8 mm
- 2-step incremental mechanism
- Visible surfaces chromium-plated
- Handle customisation upon request
- Material:

Housing - zinc die-cast, chromium-plated;

Handle - plastic;

Axles - zinc die-cast;

Strike - zinc die-cast



Variations:



Press lever latch, right hand:

Art.-Nr. 6300-020001



Press lever latch, left hand:

Art.-Nr. 6300-020002

Option:



Strike, right hand:

Length X = 20 mm Art.-Nr. 6300-020005
Length X = 38 mm Art.-Nr. 1750-010162



Strike, left hand:

Length X = 20 mm Art.-Nr. 6300-020004
Length X = 38 mm Art.-Nr. 1750-010161



Decorative plug:

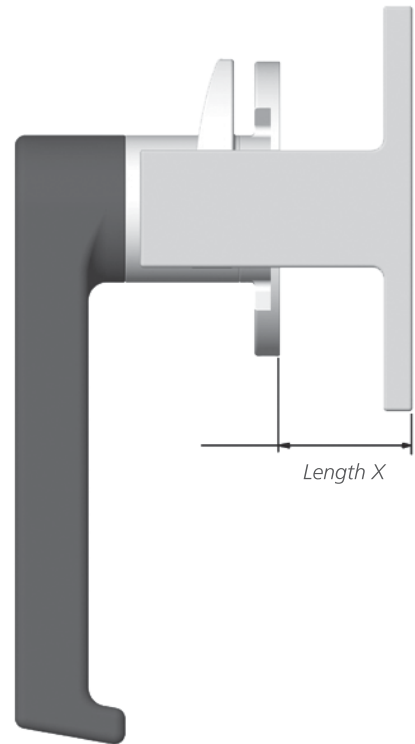
black Art.-Nr. 6300-020013
blue Art.-Nr. 6300-020014
red Art.-Nr. 6300-020010
green Art.-Nr. 6300-020011

Hardware for heated applications

Press lever latch | Series 6300



- Complementary handle variation to 6302, 6303, 6351



Variations:



Press lever latch, right hand:

Art.-Nr. 6300-020200



Press lever latch, left hand:

Art.-Nr. 6300-020201

Option:



Strike, right hand:

Length X = 20 mm Art.-Nr. 6300-020005
Length X = 38 mm Art.-Nr. 1750-010162

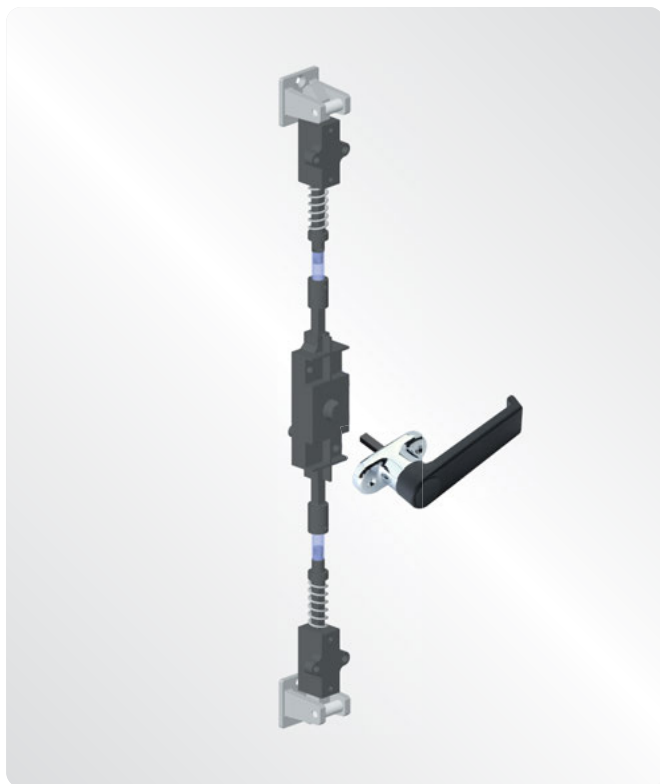


Strike, left hand:

Length X = 20 mm Art.-Nr. 6300-020004
Length X = 38 mm Art.-Nr. 1750-010161

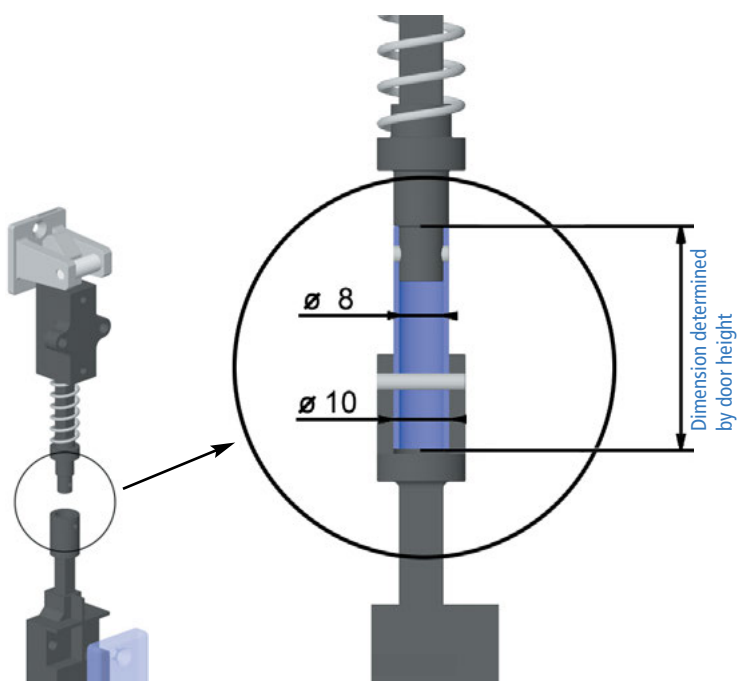
Hardware for heated applications

Drive bolt latch | Series 0751



- Ideal for large doors
- 2-point latching
- 2-step-opening
- Smooth power transmission through reinforced gear
- Variable height by cut-to-length connections
- Complementary handle design to 6300-6302,6303
- Material:
 Handle - plastic, black;
 Housing - zinc die-cast;
 Axles - zinc die-cast;
 Strike - zinc die-cast

All components printed in blue are options! (pipe 10 x 1 not in scope of supply)
 Mounting screws to be provided by customer!



Variations:



Gear unit:

right hand Art.-Nr. 0751-020942
 left hand Art.-Nr. 0751-020941



Bolting element:

Art.-Nr. 0751-020943



Strike:

Art.-Nr. 0751-010218

Option:



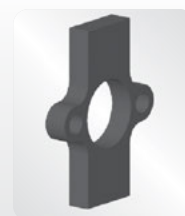
Handle, frontside mounted:

right hand Art.-Nr. 6351-020002
 left hand Art.-Nr. 6351-020001



Spacer for gear unit:

Art.-Nr. 0751-020944

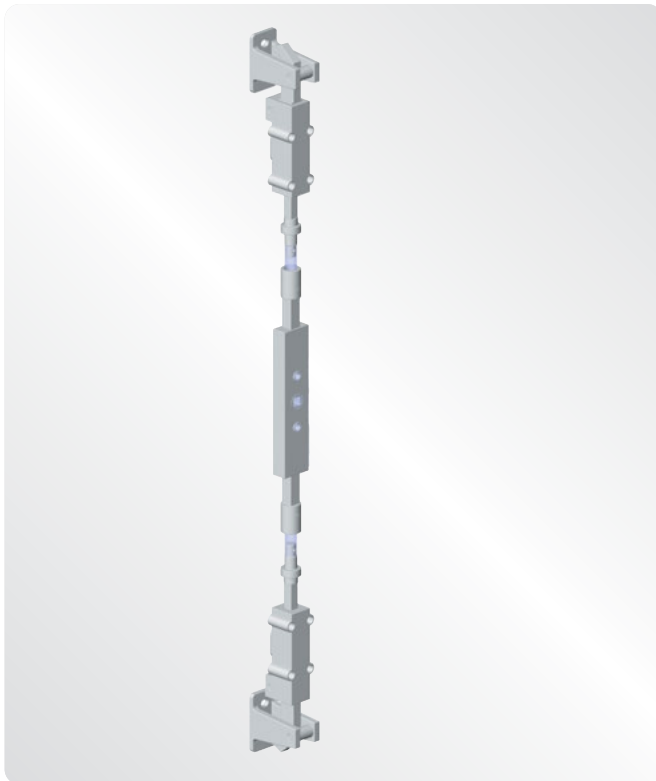


Spacer for bolting element:

Art.-Nr. 0751-020944

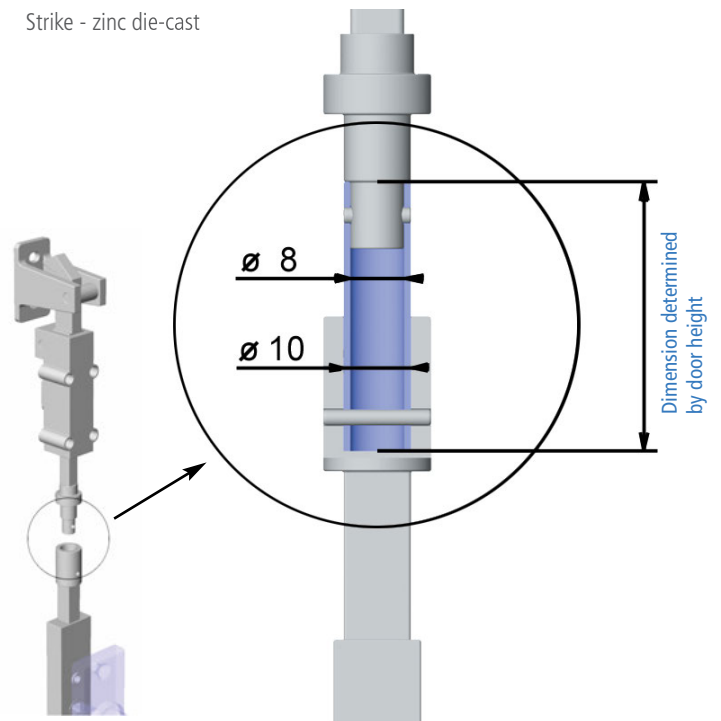
Hardware for heated applications

Drive bolt latch | Series 0753



All components printed in blue are options! (pipe 10 x 1 not in scope of supply)
Mounting screws to be provided by customer!

- Ideal for large doors
- 2-point latching
- 2-step-opening
- System solution for economic door structure
- Variable height by cut-to-length connections
- Material:
 - Handle - plastic, black;
 - Housing - zinc die-cast;
 - Axles - zinc die-cast;
 - Strike - zinc die-cast



Variations:



Gear unit:
Art.-Nr. 0753-020377



Drive bolt element:
Art.-Nr. 0753-020379



Strike:
Art.-Nr. 0753-020378

Option:



Handle, frontside mounted, right hand*:



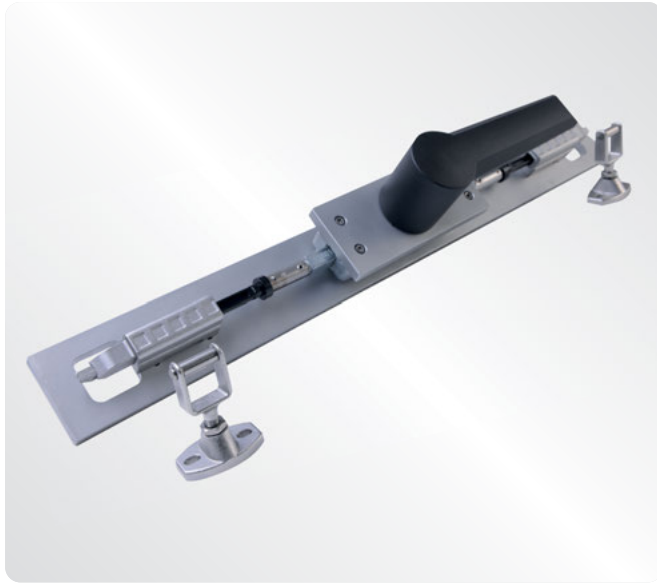
Handle, frontside mounted, left hand*:

* Upon request

NEW!

Hardware for heated applications

Drive bolt latch | Series 6337



- Two-point locking system containing stainless steel components for more endurance and temperatur critical enduses
- For table devices and particularly for stand alone appliances
- Seamless power transmission through drive bolt technique and reinforces gear
- Safety vent position
- Low abraision of the components besides high gasket pressure
- Easy door closing
- Hygiene comfort
- Complementary handle to 6334 and 6339 series
- Handle customization upon request
- Material:
 - Stainless steel
 - Zinc dye-cast
 - Plastic

Variations :



Handle, front mounted right hand:

Art.-Nr. 6337-0200110

Handle, front mounted left hand:

Art.-Nr. 6337-0200111



Strike:

Art.-Nr. 6337-020300



Gear unit:

Art.-Nr. 6337-020010



Drive bolt element:

Art.-Nr. 6337-020050

Optional:



Square bar pin,
variable length*

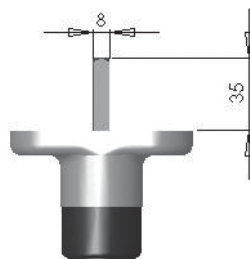
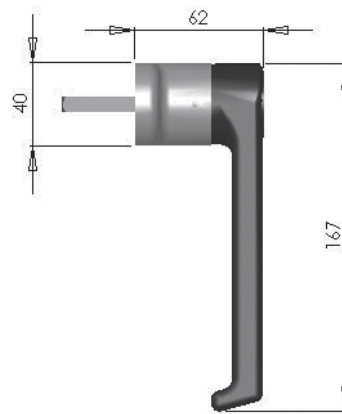
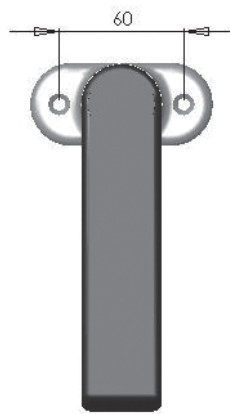
* Upon request

Hardware for heated applications

Handle for drive bolt latch | Series 6351



- Handle optional for drive bolt latch Series 0751
- Easy assembly
- Suitable for right- and left hinged doors
- Universal use
- Includes handle, housing and square-peg axis
- Handle customization upon request
- Allows for continuous handle-design
- Material:
 - Handle - plastic, black;
 - Housing - zinc die-cast, chromium-plated

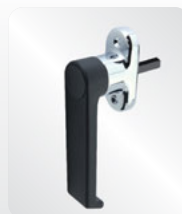


Variations:



Handle, frontside mounted, right hand:

Art.-Nr. 6351-020002



Handle, frontside mounted, left hand:

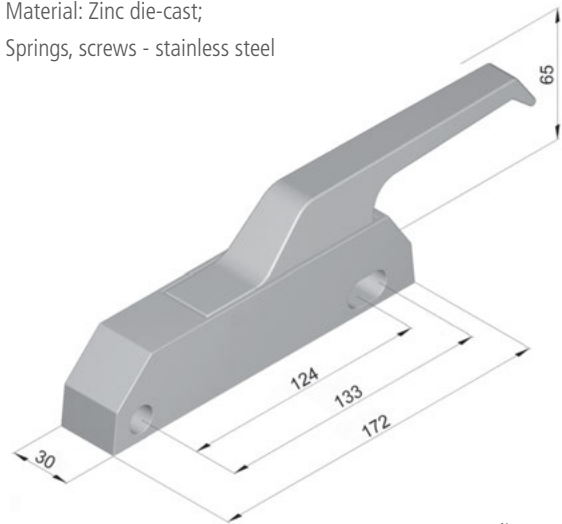
Art.-Nr. 6351-020001

Hardware for heated applications

Edge-mounted latch | Series 6200 | DUPLO



- Self-closing latch with proven technology
- Prepared for easy switch from 2-step opening to 1-step opening
- Various surface finishes
- Material: Zinc die-cast;
Springs, screws - stainless steel



Handle variations:



Handle standard

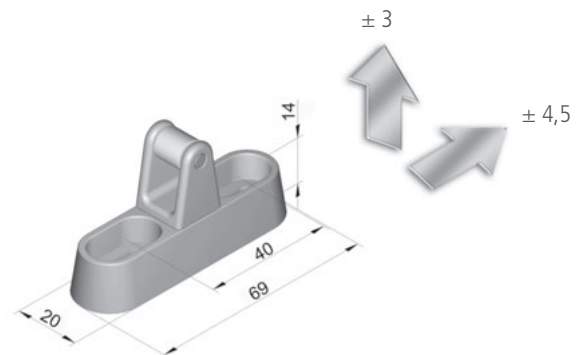


Handle large



Handle socket

Adjustment options



Variations:



Handle standard, chromium-plated:

Art.-Nr. 6200-020980



Handle large*, black:

Art.-Nr. 6200-020961



Handle socket, chromium-plated / black:

Art.-Nr. 6200-020920



Strike, galvanized:

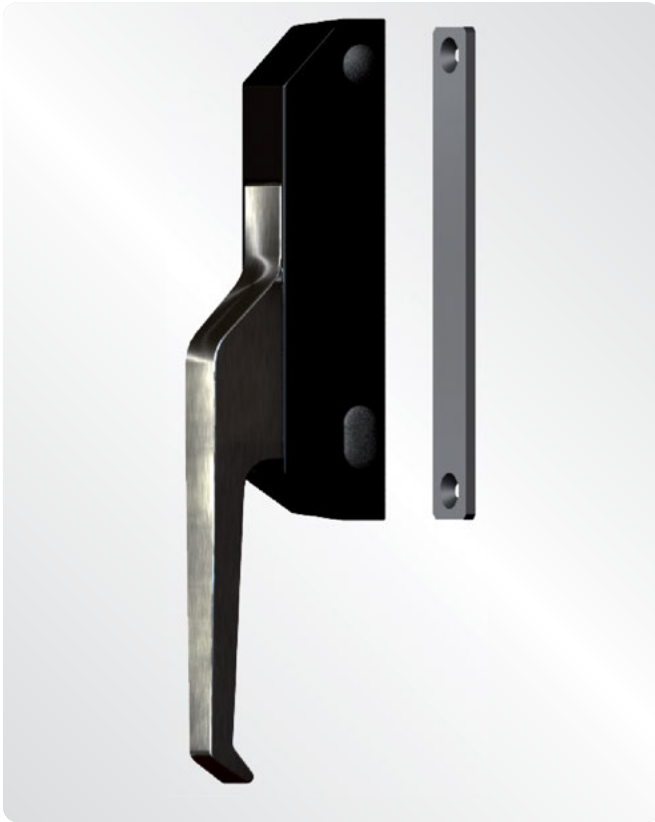
Art.-Nr. 6200-020921

Option:

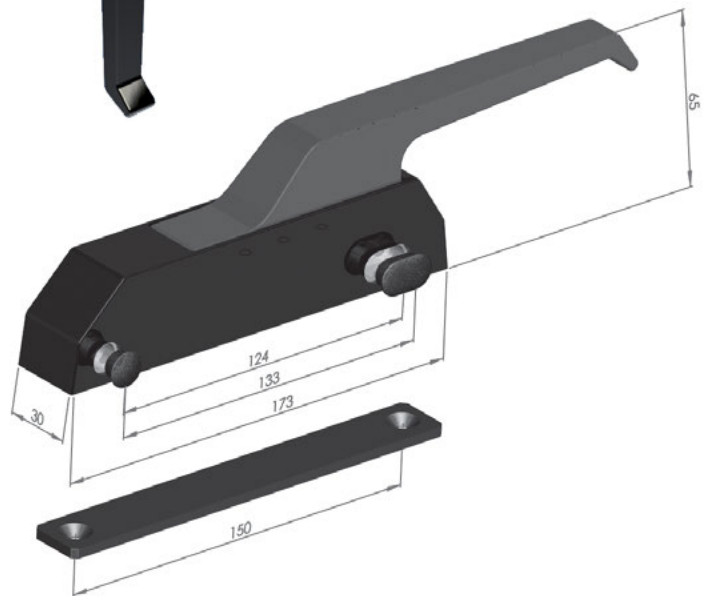
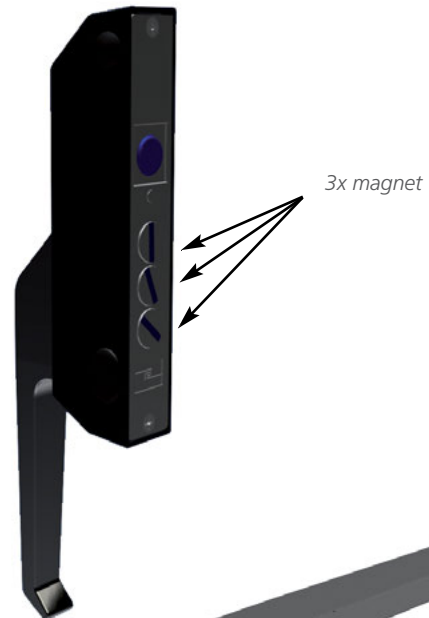
* Upon request / minimum order quantities apply

Hardware for heated applications

Edge mounted latch | Series 6202 | MAGNETO



- Self-closing latch with variable closing force
- For ovens, proofers, trolleys and many more
- Magnetic latching system
- Closing force 150N, 300N and 450 N available
- Material:
Handle and housing - cathodic dip painted (black);
Washer - plastic



Variations:



Edge-mounted magnetic latch,
cathodic dip painted (black):

450 N Art.-Nr. 6202-020100

Option:



Washer:

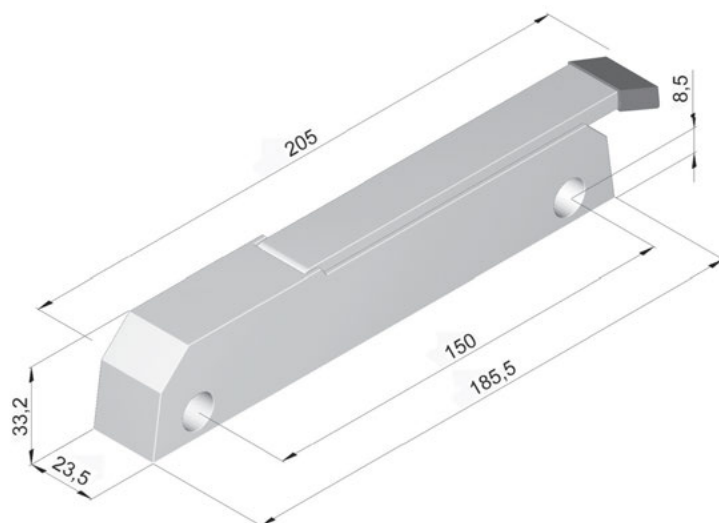
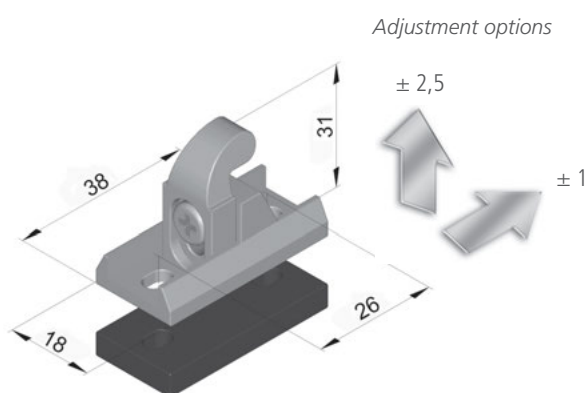
Art.-Nr. 6202-020090

Hardware for heated applications

Edge-mounted latch | Series 6188 | ERGO



- Self-closing latch with adjustable closing force
- Latches only with door closed
- Wide variety of surface finishes
- Material:
Handle and housing - zinc die-cast



Variations:



Handle, chromium-plated:
Art.-Nr. 6188-020028

Option:



Strike, adjustable:
Art.-Nr. 6188-020207



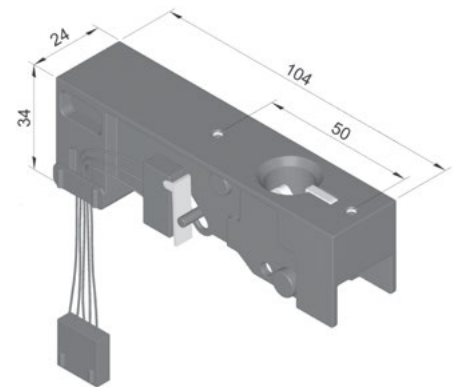
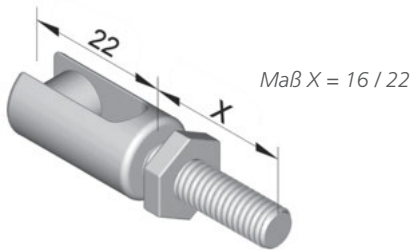
Spacer, 5 mm:
Art.-Nr. 6188-020208

Hardware for heated applications

Electro-magnetic latch | Series 8440 | HOPPO



- Self-closing latch with integrated status report
- Versatile installation options
- Emergency opening
- RoHS compliant
- Finger-pinch safe against according to VDE
- Space-saving design
- Electrical opening up to 200 N counter pressure
- Static closing force ≤ 500 N
- Horizontal and vertical installation
- Adjustable strike
- Protective extra-low voltage
- Temperature resistant
- Material: Plastic, black, stainless steel



Variations:



24 V DC:
 Art.-Nr. 8440-020001
 Art.-Nr. 8440-020050 (with leg spring)



12 V DC:
 Art.-Nr. 8440-020003
 Art.-Nr. 8440-020052 (with leg spring)

Optional:



Strike, dimension $x = 16$ mm:
 Art.-Nr. 8440-020010



Strike, dimension $x = 22$ mm:
 Art.-Nr. 8440-020011



Connector with adapter, cable 1.3 m:
 Art.-Nr. 8440-020030

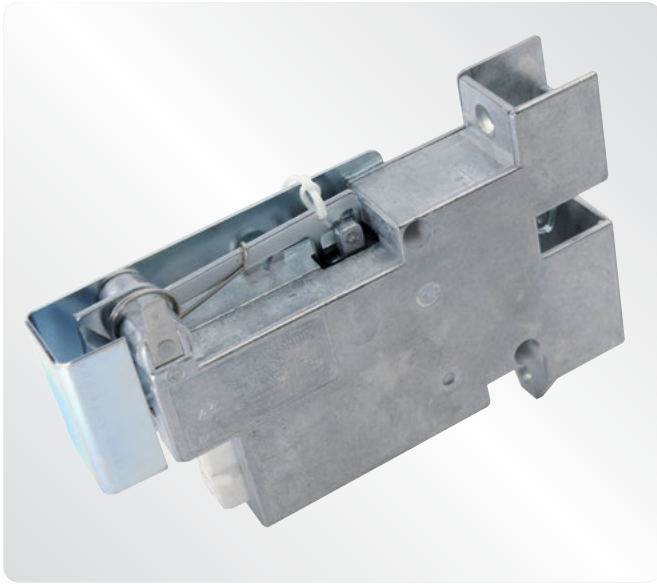


Connector with adapter, cable 1.9 m:
 Art.-Nr. 8440-020031

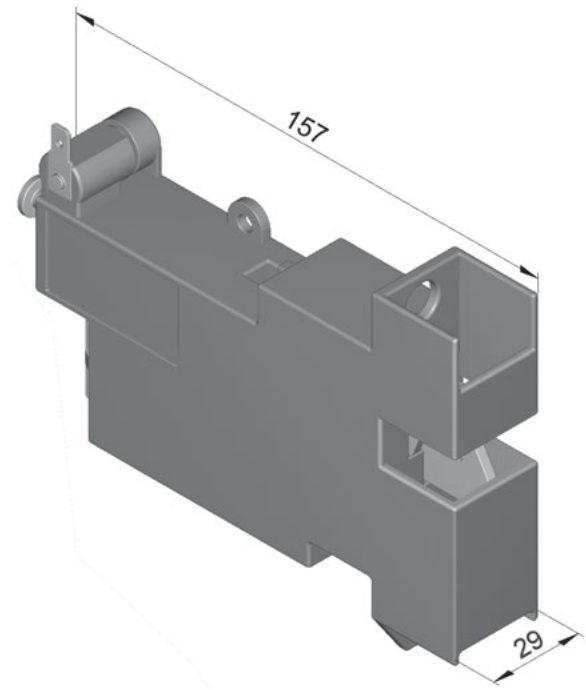
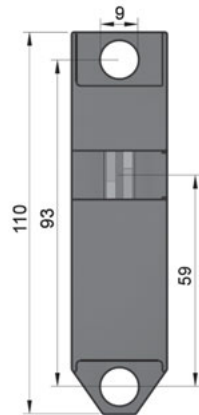
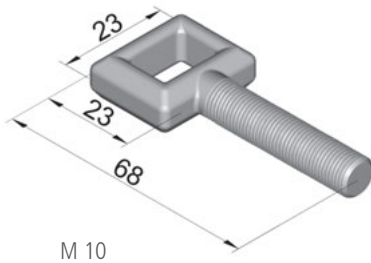
* Upon request / minimum order quantities apply

Hardware for heated applications

Electro-magnetic latch | Series 8410



- Self-closing latch with integrated status-report
- Space-saving installation
- Emergency opening
- Trip-free release
- Electric opening up to 300 N counter pressure
- Static closing force $\leq 1,800$ N
- RoHS compliant
- Horizontal and vertical installation
- Temperature resistant
- High voltage (110V upon request)
- Material: Zinc die-cast, stainless steel



Variations:



230V A/C zinc die cast,
stainless steel:

Art.-Nr. 8410-010185

Option:



Strike:

Art.-Nr. 8410-010189

Hardware for heated applications

Electro-motoric latch | Series 8800 | GIRO



- Self-closing latch with electrical locking assistance
- Closing force 300N
- Versatile installation options
- Static closing force $\leq 8,500$ N
- Variations with comfort closing
- Variations with 2-step opening for heated applications
- RoHS compliant
- Emergency opening
- Installation horizontally and vertically
- 4 methods of locking
- Impuls safe for use with centrifuges
- Control for comfort functions optionally available
- Material: Housing - plastic, black; Latching mechanism - steel

Variations:



Variation 1 - 24 V DC,
manual closing,
electro-motoric one-step opening:

Art.-Nr. 8800-020001



Variation 2 - 24 V DC,
manual closing,
electro-motoric two-step opening:

Art.-Nr. 8800-020002



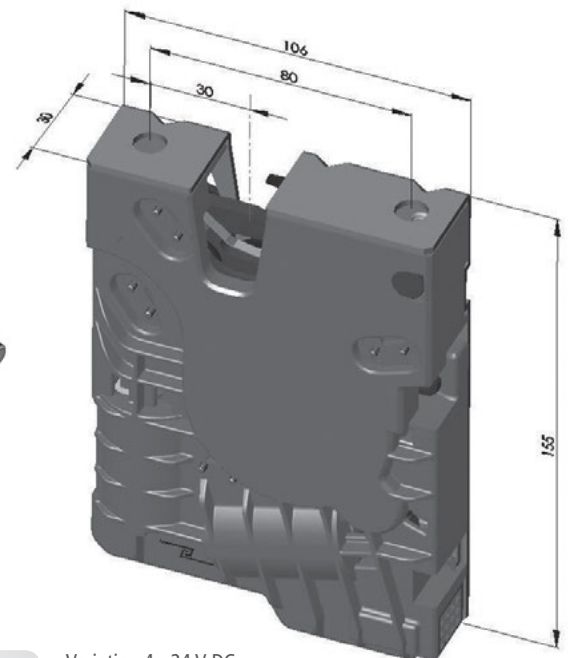
Variation 3 - 24 V DC,
electro-motoric closing,
electro-motoric one-step opening:

Art.-Nr. 8800-020003



Variation 4 - 24 V DC,
electro-motoric closing,
electro-motoric two-step opening:

Art.-Nr. 8800-020004



Option:



Strike with steel roller for ovens:

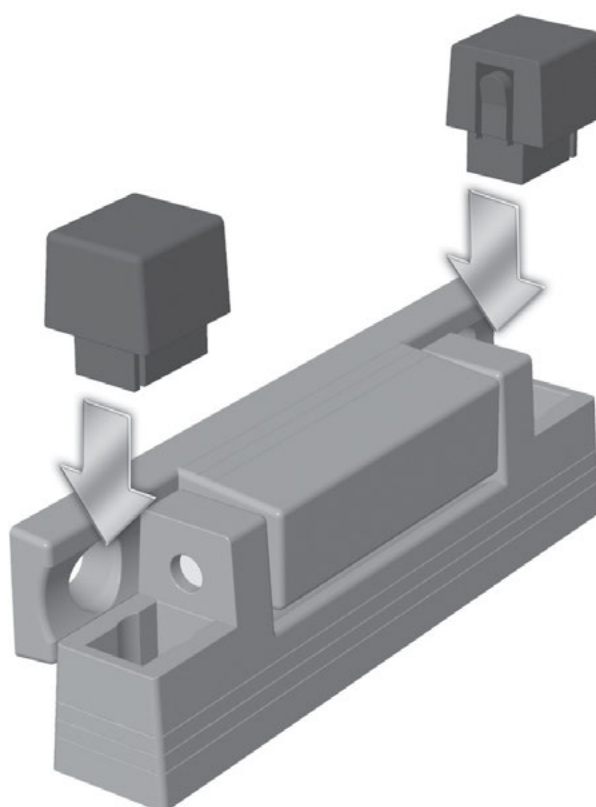
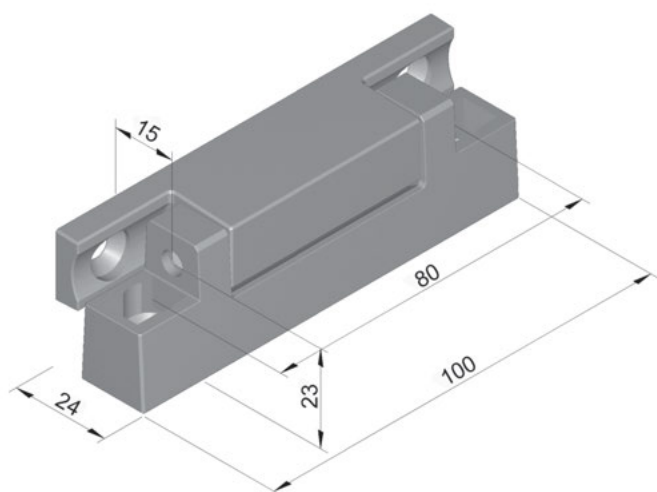
Art.-Nr. 8800-020011

Hardware for heated applications

Edge-mounted hinge | Series 4500



- Edge-mounted door hinge in modern and classy design
- Quick and easy assembly
- Wide variety in surface coloring
- Protection against unauthorized dismantling
- To be used for left- and right-hinged doors
- Door weight capacity of max. 25 kg (2 hinges)
- Material:
 - Lug/Leaf - metal / zinc die-cast;
 - Caps - plastic, black



Variations:



Edge-mounted hinge*, chromium-plated:
Art.-Nr. 4500-020396

Optional:



Spacer, plastic, 6 mm:
Art.-Nr. 4500-020404

* Upon request / minimum order quantities apply

Hardware for heated applications

Strike blocking unit | access control | 6311



- Space-saving installation options
- Blocks against unauthorized opening during operation
- Inhibits circumvention of safety-related functions
- 1- or 2-step opening
- Ideal for temperature-critical installation
- Adaptable / upgradable to system 6303, 6333 and 6334
- Material: Stainless steel, plastic



Strike blocking unit 6V:

One-step opening: Art-Nr. 6311-020010
two-step opening: Art-Nr. 6311-020011



RAHRBACH
Verschlusstechnik

SAFE and sound!

Easy and safe handling without compromising
courtesy to innovative electro-mechanic latches
from Rahrbach GmbH

Electro-mechanic latches

Electro-magnetic latches



0437



8420



8440



8480



8410

Electro-motoric latches



8800



8810

Latch for side-gates (vending vehicles)



6193



NEW!

Electro-magnetic latch

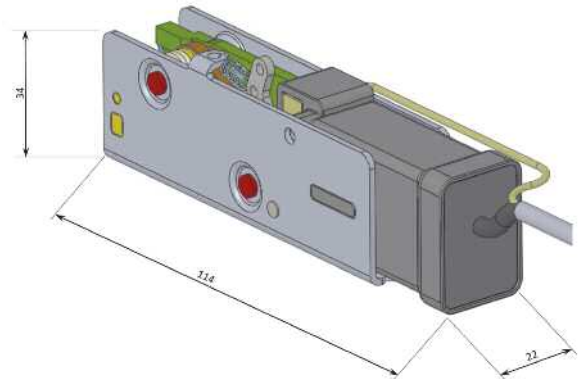
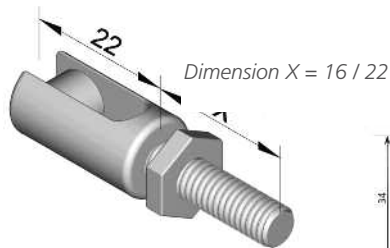
Series 8480 | HOPPO WATERPROOF

Electro-mechanic latches

Electro-magnetic latch | Serie 8480 | HOPPO WATERPROOF



- New HOPPO generation enhanced by standard IP 67
- Self-closing latch with status report and stainless steel housing
- For centrifuges, heated appliances and technical applications
- Versatile installation options
- Emergency opening
- RoHS compliant
- Finger-pinch safe against according to VDE
- Space-saving design
- Electrical opening up to 300 N counter pressure
- Horizontal and vertical installation
- Impuls safe for use with centrifuges
- Static closing force ≤ 5000 N
- Adjustable strike
- Protective extra-low voltage
- Temperature resistant
- Material: Stainless steel, plastic



Variations:



12 V DC, stainless steel , waterproof IP 67:

Art.-Nr. 8480-020001

Option:



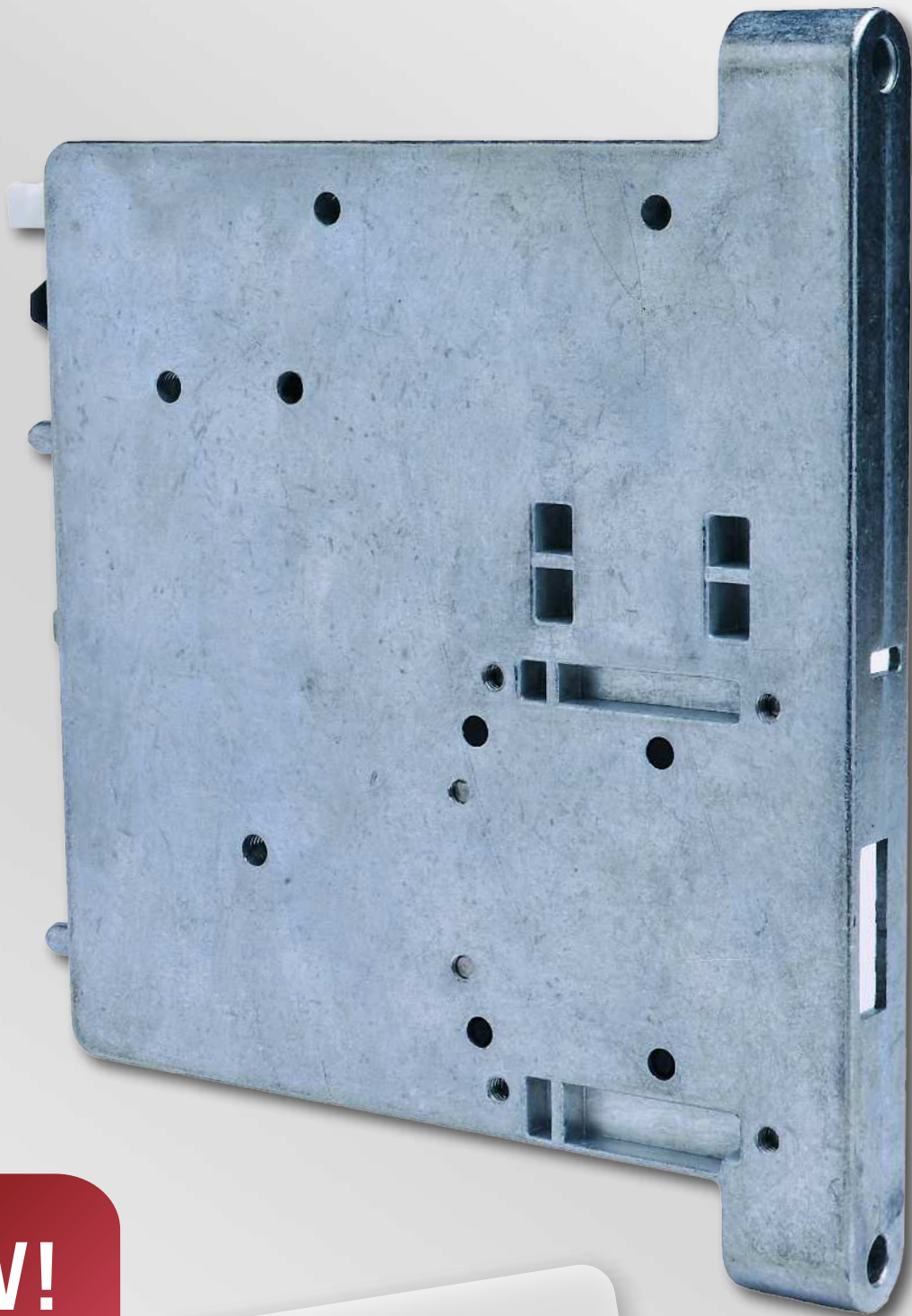
Strike, X-dimension = 16 mm:

Art.-Nr. 8440-020010



Strike, X-dimension = 22 mm:

Art.-Nr. 8440-020011



NEW!

Electro-mechanic latches

Series 8810 | ORIO

Electro-mechanic latches

Electro-motoric latch | Series 8810 | ORIO



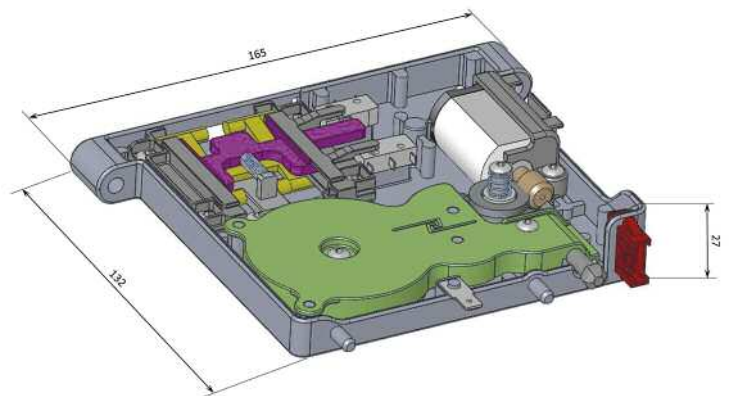
- Very flat, self-closing latch with electrical locking assistance
- For heated applications, medical and technical applications
- Closing force 300 N
- Versatile installation options
- Static closing force $\leq 6,500$ N
- With comfort closing
- Shockresistant
- RoHS compliant
- Emergency opening
- Installation horizontally and vertically
- Impuls safe for use with centrifuges
- All materials are listed UL
- Material: Housing - zinc diecast; Latching mechanism - steel

Variations:



24V:

Art.-Nr. 8810-020001



Option:



Strike:

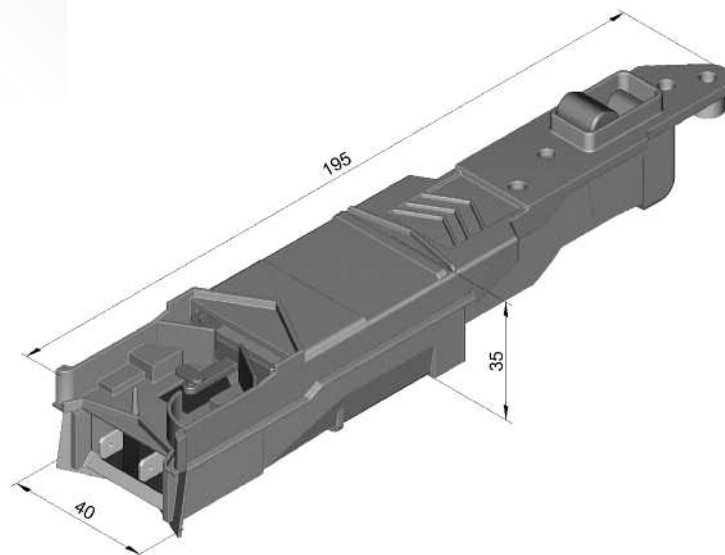
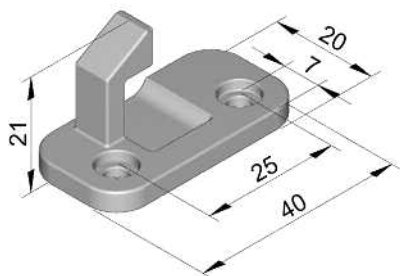
Art.-Nr. 8810-020010

Electro-mechanic latches

Electro-magnetic latch | Series 0437



- Self-closing latch with integrated status-report
- For laundry machines and technical applications
- High voltage (110V upon request)
- Electric opening up to 200N counter pressure
- Numerous options of installation
- Emergency opening
- Trip-free release
- RoHS compliant
- Static closing force ≤ 500 N
- Material: Zinc die-cast, stainless steel



230V / AC:

Art.-Nr. 0437-020823

Option:



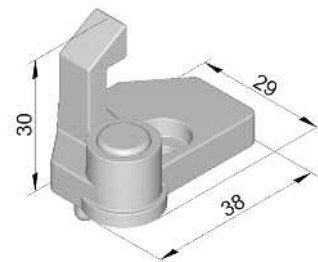
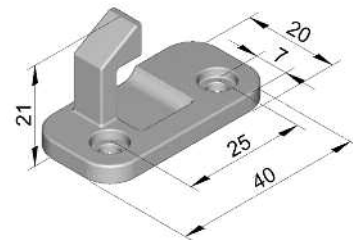
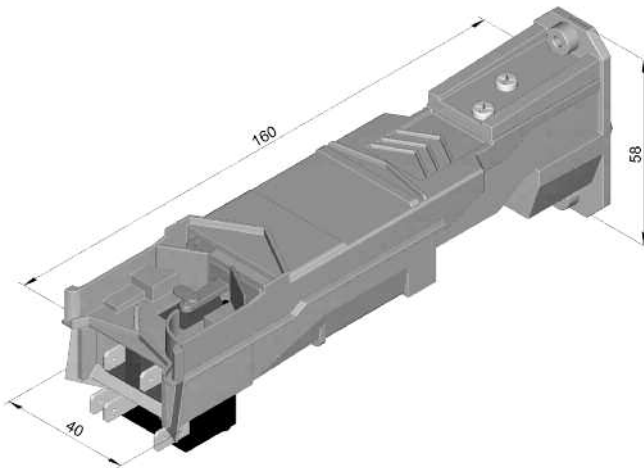
Strike:

Art.-Nr. 0437-010062

Electro-magnetic latch | Series 8420



- Self-closing latch with integrated status-report
- Top-loader version for centrifuges, laundry machines and technical applications
- Space-saving design
- Emergency opening
- Trip-free release
- Electric opening up to 200 N counter pressure
- Static closing force ≤ 500 N
- RoHS compliant



230V / AC, zinc die-cast, stainless steel:

Art.-Nr. 8420-020825

Option:



Strike:

Art.-Nr. 0437-010040



Strike:

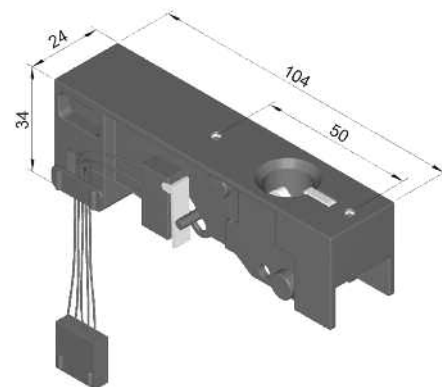
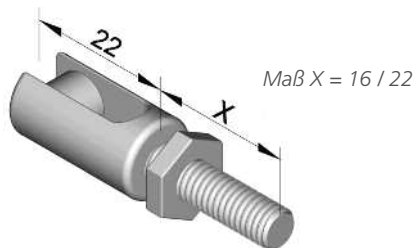
Art.-Nr. 0437-010062

Electro-mechanic latches

Electro-magnetic latch | Series 8440 | HOPPO



- Self-closing latch with integrated status report
- Versatile installation options
- Emergency opening
- RoHS compliant
- Finger-pinch safe against according to VDE
- Space-saving design
- Electrical opening up to 200 N counter pressure
- Static closing force ≤ 500 N
- Horizontal and vertical installation
- Adjustable strike
- Protective extra-low voltage
- Temperature resistant
- Material: Plastic, black, stainless steel



Variations:



24 V DC:
 Art.-Nr. 8440-020001
 Art.-Nr. 8440-020050 (with leg spring)



12 V DC:
 Art.-Nr. 8440-020003
 Art.-Nr. 8440-020052 (with leg spring)

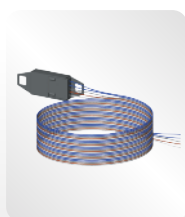
Optional:



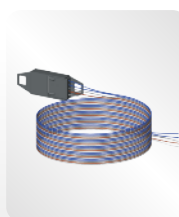
Strike, dimension x = 16 mm:
 Art.-Nr. 8440-020010



Strike, dimension x = 22 mm:
 Art.-Nr. 8440-020011



Connector with adapter, cable 1.3 m:
 Art.-Nr. 8440-020030



Connector with adapter, cable 1.9 m:
 Art.-Nr. 8440-020031

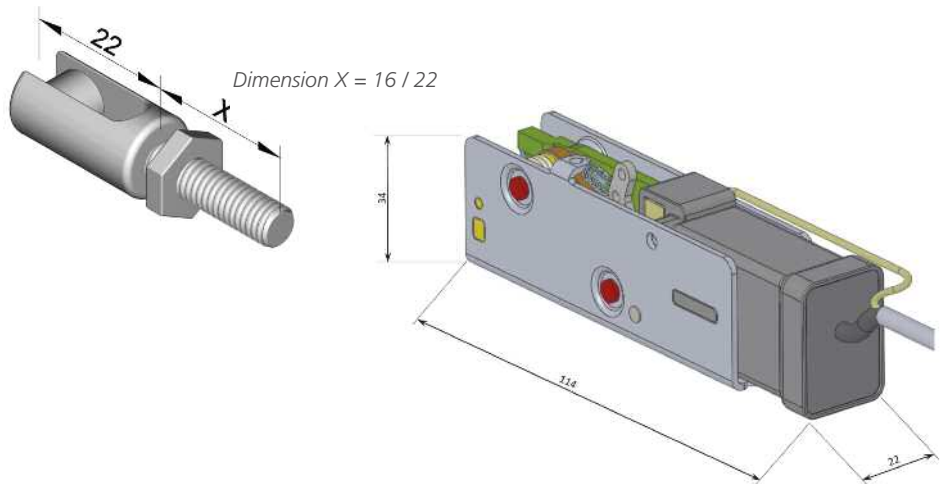
* Upon request / minimum order quantities apply

Electro-mechanic latches

Electro-magnetic latch | Serie 8480 | HOPPO WATERPROOF



- New HOPPO generation enhanced by standard IP 67
- Self-closing latch with status report and stainless steel housing
- For centrifuges, heated appliances and technical applications
- Versatile installation options
- Emergency opening
- RoHS compliant
- Finger-pinch safe against according to VDE
- Space-saving design
- Electrical opening up to 300 N counter pressure
- Horizontal and vertical installation
- Impuls safe for use with centrifuges
- Static closing force ≤ 5000 N
- Adjustable strike
- Protective extra-low voltage
- Temperature resistant
- Material: Stainless steel, plastic



Variations:



12 V DC, stainless steel, waterproof IP 67:

Art.-Nr. 8480-020001

Option:



Strike, X-dimension = 16 mm:

Art.-Nr. 8440-020010



Strike, X-dimension = 22 mm:

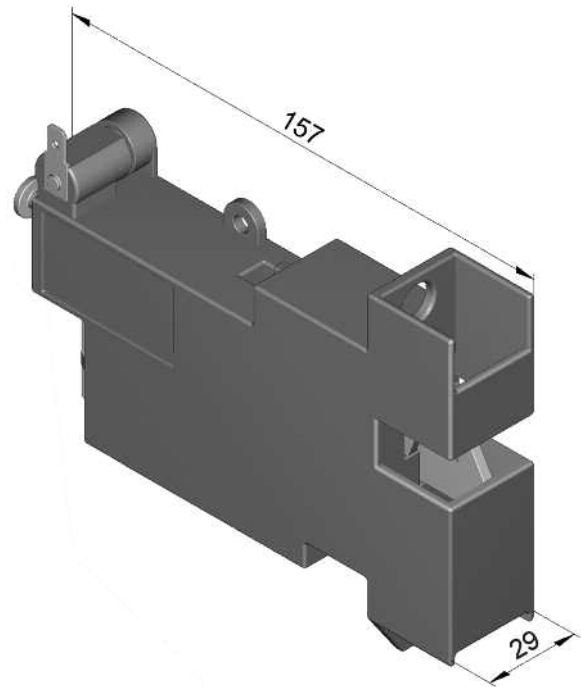
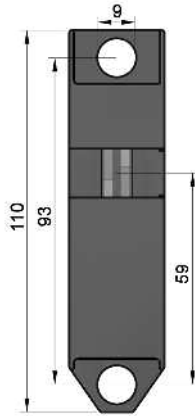
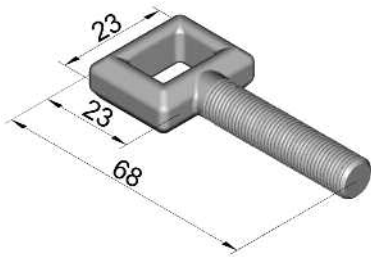
Art.-Nr. 8440-020011

Electro-mechanic latches

Electro-magnetic latch | Series 8410



- Self-closing latch with integrated status-report
- For centrifuges, heated- and technical applications
- Numerous options of installation
- Emergency opening
- Trip-free release
- Electric opening up to 300 N counter pressure
- Static closing force $\leq 1,800$ N
- RoHS compliant
- Horizontal and vertical installation
- Temperature resistant
- High voltage (110V upon request)
- Material: Zinc die-cast, stainless steel



Variations:



230V / AC:
Art.-Nr. 8410-010200



110V / AC:
Art.-Nr. 8410-010201

Option:



Strike:
Art.-Nr. 8410-010189

Electro-mechanic latches

Electro-motoric latch | Series 8810 | ORIO



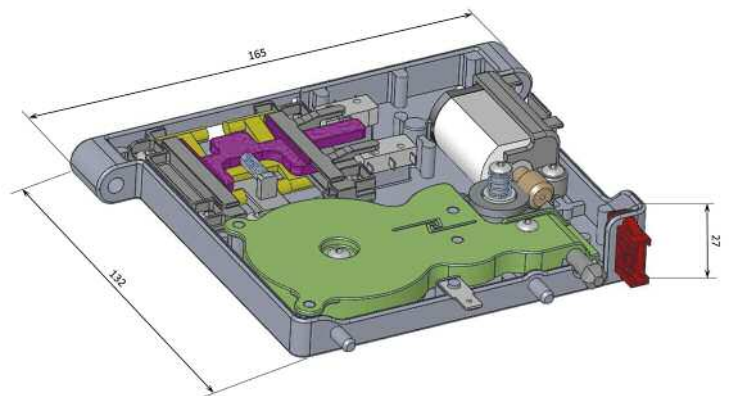
- Very flat, self-closing latch with electrical locking assistance
- For heated applications, medical and technical applications
- Closing force 300 N
- Versatile installation options
- Static closing force $\leq 6,500$ N
- With comfort closing
- Shockresistant
- RoHS compliant
- Emergency opening
- Installation horizontally and vertically
- Impuls safe for use with centrifuges
- All materials are listed UL
- Material: Housing - zinc diecast; Latching mechanism - steel

Variations:



24:

Art.-Nr. 8810-020001



Option:



Strike:

Art.-Nr. 8810-020010

Electro-mechanic latches

Electro-motoric latch | Series 8800 | GIRO



- Self-closing latch with electrical locking assistance
- For heated applications, centrifuges and technical applications
- Closing force 300 N
- Versatile installation options
- Static closing force $\leq 8,500$ N
- Variations with comfort closing
- Variations with 2-step opening for heated applications
- RoHS compliant
- Emergency opening
- Installation horizontally and vertically
- 5 methods of locking
- Impuls safe for use with centrifuges
- Control for comfort functions optionally available
- Material: Housing - plastic, black; Latching mechanism - steel

Variations:



Variation 1 - 24 V DC,
manual closing,
electro-motoric one-step opening:

Art.-Nr. 8800-020001



Variation 2 - 24 V DC,
manual closing,
electro-motoric two-step opening:

Art.-Nr. 8800-020002



Variation 3 - 24 V DC,
electro-motoric closing,
electro-motoric one-step opening:

Art.-Nr. 8800-020003



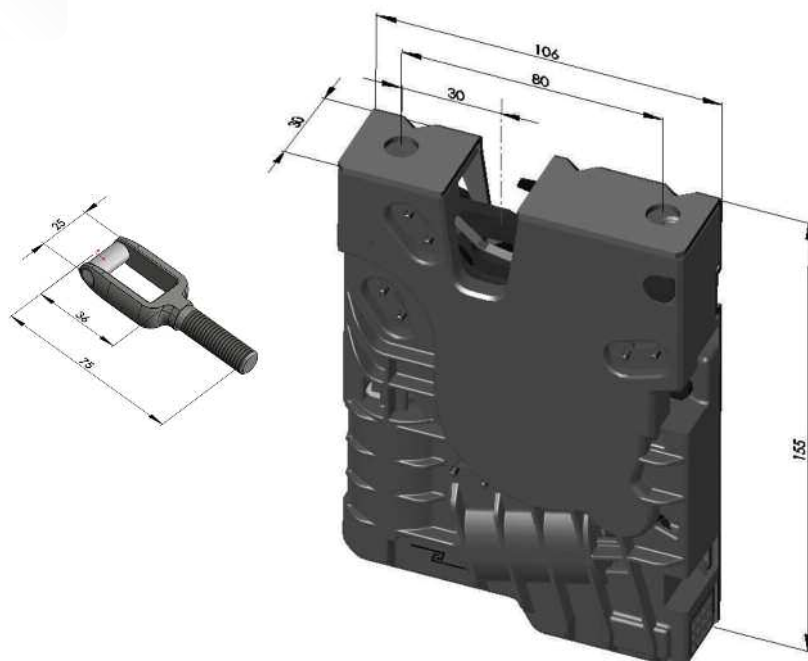
Variation 4 - 24 V DC,
electro-motoric closing,
electro-motoric two-step opening:

Art.-Nr. 8800-020004



Variation 5 - 24 V DC,
electro-motoric closing,
electro-motoric one-step opening
for centrifuges:

Art.-Nr. 8800-020005



Option:



Strike:

Art.-Nr. 8410-010189



Strike with steel roller for
heated- and technical applications:

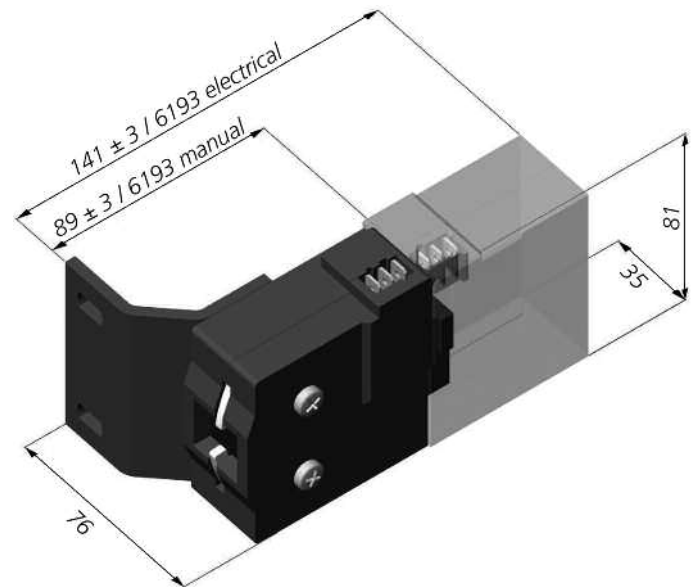
Art.-Nr. 8800-020011

Electro-mechanic latches

Latch for side-gates (vending vehicles) | Series 6193



- For use with right- or left-hinged doors
- Self-closing latch for integration in safety circuits
- Emergency opening
- RoHS compliant
- Vending vehicles and technical applications
- Status report (open/closed) available via micro-switch
- Self-centering strike



Variations:



Latch, actuated manually:

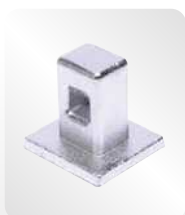
Art.-Nr. 6193-020001



Latch 12 V DC, actuated electrically:

Art.-Nr. 6193-020003

Option:



Strike:
Upon request

Electro-mechanic latches

General instruction for RAHRBACH electro-mechanical latches by RAHRBACH GmbH

Information on this page and other mediums of information pertaining to these items, are based on a single test with this product and article. The texts indicated in the catalog and website serve alone the description of the product and are not to be understood as characteristics in the sense of law. The determination of the life span as well as the definition of technical data take place in accordance with Rahrbach GmbH internal examinations following generally recognized regulations and/or standards. Findings reported here, are unique and are subject to change with varying applications and is to be viewed as general guideline. Safety regulations concerning local application are to be examined by the customer in order to verify suitability of the product for its intended use. We recommend to test products under actual conditions in order to evaluate its useability. The final user must be informed about handling, use, maintenance and servicing of the latches, in particular with safety-related applications.

Inappropriate treatment, storage, maintenance, repair and/or influencing and/or subsequent treatment can lead to disturbances and damage during operation. We point out that Rahrbach GmbH does not accept liability if our products are changed, unless this expressly permitted by Rahrbach for specific case of application and being agreed upon in writing. In case questions or problems occur in the field, the equipment manufacturer or Rahrbach is to be contacted immediately. It is recommended for the original equipment manufacturer to prepare a manual.

Temperature range

The ambient temperature should not exceed 60 °C. With higher ambient temperature, use and safe functionality of operation is to be examined. Rahrbach GmbH does not accept liability with a use of temperatures > 60 °C.

CE - Marking

CE – marking for the appliance, considering valid guidelines and standards, is to be issued by the equipment manufacturer, since our latches are only components of said equipment. Guidelines for production of manuals and instructions for devices are to be taken from valid standards and guidelines.

Cleaning/maintenance

- latches are maintenance-free
- do not oil or grease latches
- contact with cleaning agents of any kind should be avoided

Characteristics

Parts illustrated blue in the catalogue sheet, are not part of our scope of supply and are optional. If necessary, these parts can be ordered specially with Rahrbach or to be produced by the client.

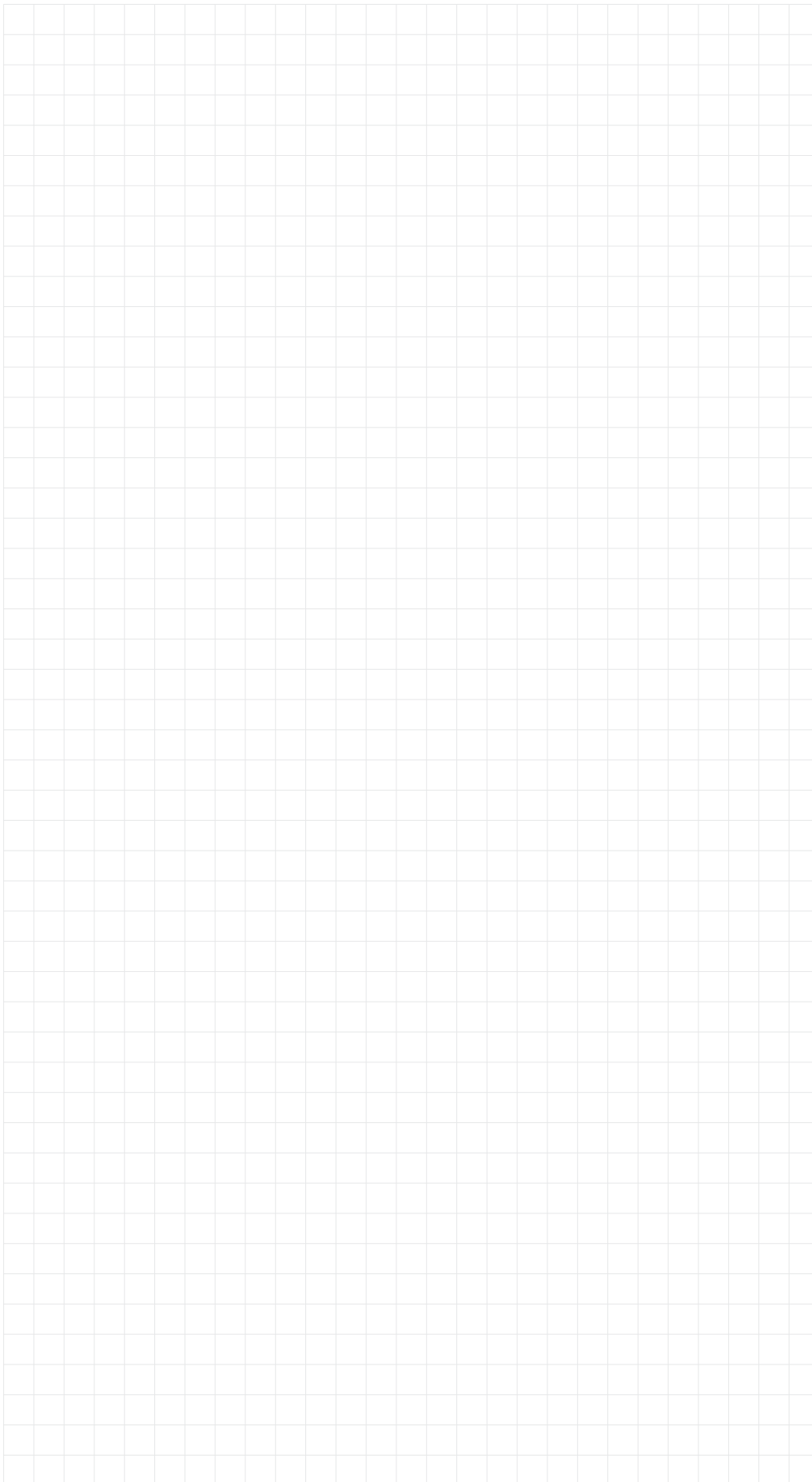
Explanation for trip-free release:

A switching device works during an opening procedure with blocked door/cover, unlocking the latch and switching-off the solenoid. The door/cover can be locked again after opening only.


Guidances/documents/instructions

For the use of our latches in your devices, kindly consider the latch-specific assembly instruction with instructions, technical characteristics and functional descriptions.

For supplementing information the Rahrbach GmbH is gladly at your disposal at any time.



Series	Pages
0253	67
0270	34
0437	106
0751	88
0753	89
3653	66
4000	36
4001	36
4002	38
4003	38
4004	39
4006	40
4010	42
4296	44
4297	18, 19, 45
4480	58
4500	59
4500	98
4510	37
4511	37
4513	60
4514	35
5000	16, 17, 46
5710	64
5801	61
5811	62
5812	63
6000	29, 30, 31
6002	31
6004	32
6172	56
6180	56
6183	56
6186	53
6188	51, 94
6190	52
6193	113
6195	65
6200	92
6201	54
6202	55
6202	93
6300	86
6302	85
6303	80, 83
6311	76, 77, 99
6333	84
6334	81
6337	74, 75, 90
6339	72, 73, 82
6351	91
6770	57
7101	24, 25, 26, 27
7150	20, 21, 48
7501	23
7503	12, 13, 22
7505	14, 15, 28
7514	41
7800	33
7805	43
7902	47
8410	96, 110
8420	107
8440	95, 108
8480	102, 103, 109
8800	97, 112
8810	104, 105, 111
Antibac	78, 79



RAHRBACH GmbH
Nordring 62
42579 Heiligenhaus

Phone: +49 (0) 20 56 / 970-0
Fax: +49 (0) 20 56 / 970-100
info@rahrbach.de
www.rahrbach.de