

5

0

# DIE-PAT PRODUCT CATALOGUE

---

[www.die-pat.co.uk](http://www.die-pat.co.uk)

# Product Sections

Equipment Legs & Accessories	05
Castors & Accessories	15
Plumbing Components	27
Canopy Hood Accessories	71
Refrigeration Components	85
Cabinet Hardware	113
Cafeteria Components	141
Electrical Components	149
Fabrication Supplies	169

Whilst every effort has been made to ensure that all images and graphical representations of products and/or descriptions of products correspond to the actual products, Die-Pat Divisions Ltd is not responsible for any variations from these descriptions. This catalogue may not be reproduced in any form or by any means in whole or in part, without the written consent of Die-Pat Divisions Ltd. Die-Pat Divisions Ltd reserves the right to make any changes and to discontinue any of its products without notice.

# Introduction

---

## Welcome to Die-Pat...

... and also to our updated Die-Pat brochure showcasing our vast range of products.

Die-Pat is the UK's leading supplier of specialised catering equipment hardware and plumbing components into the foodservice industry. In 2016 we are proud to be celebrating our 50th year in business – and look forward to meeting and exceeding our customers' expectations over the next 50 years.

We take great pride in the standard of catering equipment and service we supply. Using only the highest quality products, Die-Pat can ensure that all of our catering equipment replacement products and new products will meet the requirements demanded by our customers. We are also proud of our ability to design and source products on behalf of customers for specific applications. We aim to be competitive on price, whilst maintaining quality and assisting you with technical expertise where required.

Die-Pat has been working with O.E.M.'s and their distributors for over 40 years, to support the food processing, preparation and service specialists within the food service industry.

Benefits we offer are:

- Next day delivery
- Technical expertise and help with all our products
- Product knowledge through our experienced staff
- Vast stock holding of a wide range of products
- Consignment stocking arrangements
- Experienced customer service team

We hope you find our new brochure to be practical with useful and clear content. The whole team here at Die-Pat is very much looking forward to working with you.



Eddy Edwards  
Managing Director



## Partners

Die-Pat is a proud partner of the following organisations...



---

## Associations

Die-Pat is a proud member of the following associations...







# Equipment Legs & Accessories



---

# Equipment Legs & Accessories

Appliance Legs	13-14
<hr/>	
Equipment Legs, Heavy-Duty S/S	11-12
<hr/>	
Foot Inserts,	
Adjustable	07-10
Flanged	07-10
Foot Levellers	14
<hr/>	
Hi-Rise Adjustable Foot Inserts	09
<hr/>	
Leg Sockets	12
Legs, Equipment	11-12
<hr/>	
Spring Clamps	14
<hr/>	

---

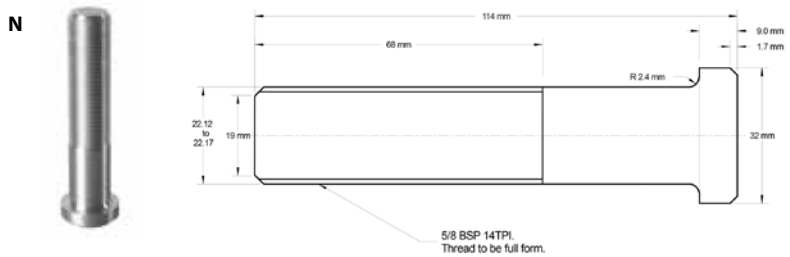
**Please order by 4pm for next day delivery.  
Timed and special deliveries can also be arranged.**

# Hexagon & Flanged Adjustable Foot Inserts – For Metric Square or Round Tubing



Equipment Legs & Accessories

- Hexagon adjustable foot inserts
- Square or round metric tubing with wall thickness of 1.2mm



Ref.	Part No.	Tube Size	Finish	Foot	Height (min/max)	Load Ratings (kg each)	
A	INO25-NP	25mm sq	Nickel plated	Flange/Hexagon	19mm - 50mm	900	
B	INA30F/01	30mm sq	Natural	Flange	23mm - 50mm	900	
C	INA30F-NP	30mm sq	Nickel plated	Flange	23mm - 50mm	900	
D	INA30H-NP	30mm sq	Nickel plated	Hexagon	23mm - 50mm	900	
E	INPO30H	30mm sq	Plastic insert	Hexagon	23mm - 50mm	100	
F	INA30H/01	30mm sq	Natural	Hexagon	23mm - 50mm	900	
G	INO40F/01	40mm sq	Natural	Flange	35mm - 65mm	900	
H	INO40F-SS	40mm sq	Nickel plated	Flange S/S	35mm - 65mm	900	
I	INO40H/01	40mm sq	Natural	Hexagon	35mm - 65mm	900	
J	INO40H-SS	40mm sq	Nickel plated	Hexagon S/S	35mm - 65mm	900	
K	INO40F-NP	40mm sq	Nickel plated	Flange	35mm - 65mm	900	
L	INPO40H	40mm sq	Plastic insert	Hexagon	35mm - 65mm	200	
M	INRO40H	40mm round	Natural	Hexagon	35mm - 65mm	900	
N	IN75S	75mm Leg Extension. To suit 30mm housing. For use with Insert Body (Part No. 0300-3).					

# Adjustable Foot Inserts For Round Tubing

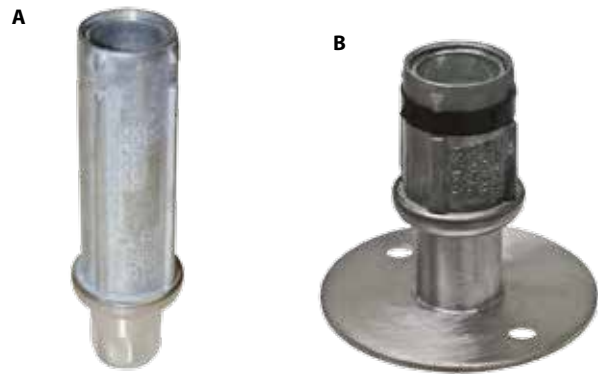
- Conventional round adjustable toes for round tubing and pipe



Ref.	Part No.	Finish	Type	Height	Adjustment	Load Rating	Application
A	A100221	Nickel plated	Hex	18mm (11/16")	21mm	500kg	25mm O.D. tubing 16g (1.5mm) and 18g (1.2mm)
B	A100421	Nickel plated	Hex	19mm (3/4")	28mm	635kg	32mm O.D. tubing 16g (1.5mm)
C	A100611	Natural	Hex	32mm (1-1/4")	28mm	900kg	38mm O.D. tubing 16g (1.5mm)
D	A100651	Stainless steel	Hex	38mm (1-1/2")	32mm	900kg	As above
E	A100851	Stainless steel	Hex	38mm (1-1/2")	32mm	900kg	41mm O.D. tubing 16g (1.5mm) or 1-1/4" I.P.S. pipe
F	A100852	Stainless steel	Round	38mm (1-1/2")	32mm	900kg	As above

## Hi-Rise Adjustable Foot Inserts

- Full 3" (76mm) height adjustment
- Rugged 900kg static load rating
- Stainless steel flanged models available
- Ideal for lengthy cafeteria lines and counters where floor pitch is a concern
- Eliminates costly field modification
- Maximum height adjustment helps avoid plumbing obstacles and other unforeseen conditions during installation of equipment
- Patented



Ref.	Part No.	Finish	Type	Height	Adjustment	Load Rating	Application
A	A100881	Stainless steel	Hex	38mm (1-1/2")	76mm	900kg	41mm O.D. tubing 16g (1.5mm)
B	A100884	Stainless steel	Flange	38mm (1-1/2")	76mm	900kg	As above

## Adjustable Foot Inserts for Square Tubing

- Adjustable to level equipment on job site
- Wrench flats for easy adjustment
- 51mm model complete with retaining ring and heavy duty construction



Ref.	Part No.	Finish	Type	Height	Adjustment	Load Rating	Application
A	A140411	Natural	Hex	32mm	22mm	900kg	32mm SQ tubing 16g (1.5mm) or 18g (1.2mm)
B	A140611	Natural	Hex	32mm	28mm	900kg	38mm O.D. tubing 16g (1.5mm) or 18g (1.2mm)
C	A140651	Stainless steel	Hex	38mm	28mm	900kg	38mm O.D. tubing 16g (1.5mm)
D	A150851	Stainless steel	Hex	25mm	51mm	1040kg	51mm SQ tubing 16g (1.5mm)

# Flanged Adjustable Foot Inserts For Round or Square Tubing or Pipe

- Available with or without mounting holes
- Adjustable to level equipment on job site



Ref.	Part No.	Finish	Type	Height	Adjustment	Load Rating	Application
A	A100654*	Stainless steel	89mm dia. with mounting holes**	38mm (1-1/2")	28mm	900kg	32mm (1-1/4") I.P.S. pipe or 38mm (1-1/2") O.D. round tubing 16g (1.5mm)
B	A140653*	Stainless steel	89mm dia. no mounting holes	38mm (1-1/2")	28mm	900kg	38mm (1-1/2") square tubing 16g (1.5mm) or 18g (1.2mm)
C	A140654*	Stainless steel	89mm dia. with mounting holes**	38mm (1-1/2")	28mm	900kg	As above
D	A100854*	Stainless steel	89mm dia. with mounting holes**	38mm (1-1/2")	28mm	900kg	41mm (1-5/8") O.D. round tubing 16g (1.5mm)
E	A110854*	Stainless steel	89mm dia. with mounting holes**	25mm (1")	51mm	1040kg	51mm (2") O.D. round tubing 16g (1.5mm)
F	A150854*	Stainless steel	89mm dia. with mounting holes**	25mm (1")	51mm	1040kg	51mm (2") square tubing 16g (1.5mm) or 18g (1.2mm)

\* Flanged foot models have 2.6mm (12g) stainless steel flange with a #4 satin finish  
 \*\* Provided with (2) 11/32" (9mm) dia. mounting holes, spaced 2-1/2" (63mm) O.C.

## Heavy Duty Equipment Legs – Stainless Steel

- Heavy duty 41mm and 50mm O.D. parallel legs available in the following heights: 100mm, 125mm, 150mm and 200mm with removable mounting plate or suffix with a P for protruding stud
- All legs have 30mm of adjustment



Part No.	Height	Foot	Flange Diameter	Safe Adjustment	Protruding Stud
A41-100H	100mm	Hexagon		30mm	
A41-125H	125mm	Hexagon		30mm	
A41-150H	150mm	Hexagon		30mm	
A41-100FB2	100mm	Flange	63.5mm	30mm	19mm
A41-125FB2	125mm	Flange	63.5mm	30mm	
A50-100H	100mm	Hexagon		40mm	19mm
A50-100HP	100mm	Hexagon		40mm	
A50-125H	125mm	Hexagon		40mm	
A50-150H	150mm	Hexagon		40mm	19mm
A50-200H	200mm	Hexagon		40mm	19mm
A50-200HP	200mm	Hexagon		40mm	
A50-100FB3	100mm	Flange	89mm	40mm	
A50-150FB3P	150mm	Flange	89mm	40mm	
A50-150FB3	150mm	Flange	89mm	40mm	19mm
LP1M12	Mounting plate 3mm. Fixing holes with 12mm thread. Plate size 90mm x 90mm. Hole centre 70mm x 70mm				
LP2	Mounting plate 6mm. Fixing holes with 12mm thread. Plate size 90mm x 90mm. Hole centre 70mm x 70mm				

## Stainless Steel Equipment Leg Sockets

- For 1-1/2" and 1-5/8" O.D. leg assemblies
- Constructed of 16g (1.5mm) stainless steel tubing
- Provided with locking set screw for secure assembly
- Products available with plain or flared top for weld on applications or welded stainless steel mounting plates



Ref.	Part No.	Height	Application	Diameter
A	A160206	44mm	1-5/8" (41mm) O.D. tubing or 1-1/4" I.P.S pipe	51mm
B	A180206	78mm	As above	51mm
C	A189900**	78mm	As above	51mm
D	A180402	64mm	1-1/2" (38mm) O.D. tubing	44mm

\*\* Furnished with 2 set screws.

## Heavy Duty Stainless Steel 41mm (1-5/8") O.D. Equipment Legs

- Mounting plates have (4) 8mm (5/16") diameter holes on 66mm (2-5/8") centres

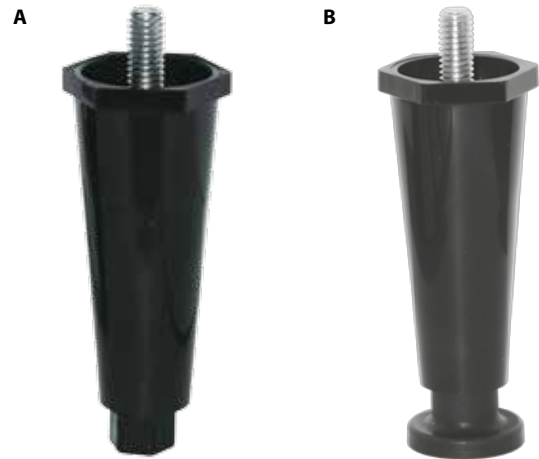


Part No.	Type	Height	Load Rating	Application
A485032	With removable mounting plate	102mm (4")	900kg	41mm (1-5/8") and 51mm (2") O.D. stainless steel tubing



## 102mm (4") High Appliance Legs

- Thermoplastic black



Ref.	Part No.	Finish	Type	Load Rating
A	A600631	Black	Hexagon	91kg
B	A600633	Black	Flange	91kg

## 102mm (4") High Appliance Legs

- Die-cast metal with satin nickel finish



Ref.	Part No.	Finish	Type	Load Rating
A	A601651	Satin nickel	Hexagon	91kg
B	A601653	Satin nickel	Flange	91kg

## 63mm (2-1/2") High Economy Series Appliance Legs



Part No.	Finish	Type	Load Rating
AE601453	Die cast zamak with nickel plated matt finish	Flange	900kg

## Adjustable Foot Levellers

- Rubber cushioned, non-skid, non-marking



Part No. A604444

## Kick Plate Spring Clamp

- Fits on 31mm (1-1/4") pipe, 41mm (1-5/8") and 51mm (2") O.D. tubing
- Zinc plated steel



Part No. A764460

## Leg Boiler Foot



Part No. PTL40-B Leg



# Castors & Accessories



# Castors & Accessories

<b>Bumpers</b>	<b>25</b>
<b>Contempo Strip Bumper System</b>	<b>24</b>
<b>Economy Range</b>	<b>17-18</b>
Grey Rubber Tyred Wheel	17
White Nylon Wheel	18
<b>Institutional Castors</b>	<b>20-21</b>
Grey TPE Tyre	20
White Nylon Wheel	21
White Polypropylene Wheel	18
<b>Light Duty Castors</b>	<b>18-19</b>
Twin Wheel Grey PVC Tyre	19
White Polypropylene Wheel	18
<b>Medium Duty Castors</b>	<b>22-23</b>
Elastic Rubber Tyre Nylon Centre	22
Nylon Wheel	23
<b>Mobile Equipment Accessories</b>	<b>24</b>
<b>Pressed Steel Castors</b>	<b>22-23</b>
Elastic Rubber Tyre Nylon Centre	22
Nylon Wheel	23
<b>Strip Bumpers</b>	<b>24</b>

Please order by 4pm for next day delivery.  
Timed and special deliveries can also be arranged.

## Economy Range: Grey Rubber Tyred Wheel

50mm-100mm Diameter Wheel 40kg-70kg Load Capacity

- Pressed steel bracket (zinc plated)
- Swivel head with double ball race
- Wheel brake on 50mm and 75mm Swivel and wheel brake on 100mm
- Plain bearing, complete with threadguards



### Bolt Hole Fitting

Swivel Part No.	Braked Part No.	Wheel Dia. (mm)	Overall Height (mm)	Bolt Hole Dia. (mm)	Load Capacity (kg)
RT2BHGREY	RT2BHBGREY	50	70	M10	40
RT3BHGREY	RT3BHBGREY	75	101	M10	60
RT4BHGREY	RT4BHBGREY	100	132	M10	70
RT4BHGREY/M12	RT4BHBGREY/M12	100	132	M12	70

Please note: Shade of wheel may vary. The above castors can be purchased complete with expander fittings.



### Plate Fitting

Swivel Part No.	Braked Part No.	Wheel Dia. (mm)	Overall Height (mm)	Plate Size	Hole Centres (mm)	Load Capacity (kg)
RT2PGREY	RT2PBGREY	50	72	50 x 50	40 x 40 32 x 32	40
RT3PGREY	RT3PBGREY	75	104	65 x 65	53 x 53 45 x 45	60
RT4PGREY	RT4PBGREY	100	134	75 x 75	50 x 50 60 x 60	70

Please note: These castors have slotted hole centres

## Economy Range: White Nylon Wheel

50mm-75mm Diameter Wheel  
40kg-100kg Load Capacity



Swivel Part No.	Braked Part No.	Fixed Part No.	Wheel Dia. (mm)	Overall Height	Swivel Plate Size	Swivel Plate Hole Centres (mm)	Fixed Plate Size	Fixed Hole Centres (mm)	Load Capacity (kg)
RT2PNY	N/A	RT2FNY	50	64	65 x 47	54 x 24	66 x 42	54 x 24	40
RT3PNY	RT3PBNY	RT3FNY	75	95	105 x 80	80 x 60	102 x 60	83 x 35	100

## Light Duty/Institutional Range: White Polypropylene Wheel

75mm-125mm Diameter Wheel  
70kg-100kg Load Capacity

- Pressed steel bracket (zinc plated)
- Swivel head with double ball race
- Wheels: White polypropylene
- Combined swivel and wheel brake
- Plain bore



Swivel Part No.	Braked Part No.	Wheel Dia. (mm)	Tread Width (mm)	Overall Height (mm)	Bolt Hole Dia. (mm)	Load Capacity (kg)
RT3A-BHPP	RT3A-BHBPP	75	25	100	M12	70
RT4A-BHPP	RT4A-BHBPP	100	32	134	M12	100
RT5A-BHPP	RT5A-BHBPP	125	35	159	M12	100

## Twin Wheel Light Duty/Industrial Range: Grey PVC Tyre

50mm-75mm Diameter Wheel  
55kg-80kg Load Capacity

- Pressed steel bracket (zinc plated)
- Swivel head with double ball race
- Wheel brake available
- Plain bearing
- Grey PVC tyre, white nylon centre



Castors & Accessories

### Bolt Hole Fitting

Swivel Part No.	Braked Part No.	Wheel Dia. (mm)	Tread Width	Overall Height (mm)	Bolt Hole Dia. (mm)	Load Capacity (kg)
RT2TWBHGREY	RT2TWBHBGREY	50	42	69	10	55
RT3TWBHGREY	RT3TWBHBGREY	75	52	98	10	80



### Plate Fitting

Swivel Part No.	Braked Part No.	Wheel Dia. (mm)	Tread Width (mm)	Overall Height (mm)	Plate Size (mm)	Hole Centres (mm)	Load Capacity (kg)
RT2TWPGREY	RT2TWPBGREY	50	42	77	65 x 65	47 x 47	55
RT3TWPGREY	RT3TWPBGREY	75	52	101	78 x 68	60 x 50 50 x 43	80

# Institutional Castors: Grey TPE Tyre

75-125mm Diameter Wheel 75-100kg

- Press steel fork assembly zinc plated
- Swivel head and double ball race and head seal
- Nut bolt and axle
- Wheels with TPE-tyre (thermoplastic elastomer) on polypropylene rim
- Plain bearing hub complete with thread guards
- Combine swivel and wheel brakes



## Bolt Hole Fitting

Swivel Part No.	Braked Part No.	Fixed Bolt Hole Part No.	Wheel Dia. (mm)	Tread Width	Overall Height (mm)	Bolt Hole Dia. (mm)	Load Capacity (kg)
183021	183022	N/A	75	30	100	M12	75
183023	183024	182121	100	32	134	M12	100
180763	183026	182465	125	32	159	M12	100

Please note: The above castors can be purchased complete with expander fittings.



## Plate Fitting

Swivel Part No.	Braked Part No.	Fixed Plate Part No.	Wheel Dia. (mm)	Tread Width	Overall Height (mm)	Plate Size	Hole Centres (mm)	Load Capacity (kg)
182571	182572	N/A	75	30	103	105 x 80	80 x 60	75
182573	182574	182569	100	32	137	105 x 80	80 x 60	100
182575	182578	182570	125	32	162	105 x 80	80 x 60	100



## Institutional Castors: White Nylon Wheel

75-125mm Diameter Wheel 75-100kg

- Press steel fork assembly zinc plated
- Swivel head and double ball race and head seal
- Nut bolt and axle
- White nylon wheel
- Plain bearing hub
- Combine swivel and wheel brakes



### Bolt Hole Fitting

Swivel Part No.	Braked Part No.	Fixed Bolt Hole Part No.	Wheel Dia. (mm)	Tread Width	Overall Height (mm)	Bolt Hole Dia. (mm)	Load Capacity (kg)
179996NY	179997NY	N/A	75	25	100	M12	75
180185NY	501319NY	N/A	100	34	134	M12	100

Please note: The above castors can be purchased complete with expander fittings.



### Plate Fitting

Swivel Part No.	Braked Part No.	Fixed Plate Part No.	Wheel Dia. (mm)	Tread Width	Overall Height (mm)	Plate Size	Hole Centres (mm)	Load Capacity (kg)
179893NY	179894NY	172108NY	75	25	103	105 x 80	80 x 60	75
178103NY	179895NY	172003NY	100	34	137	105 x 80	80 x 60	100
179896NY	179897NY		125	35	162	105 x 80	80 x 60	100

# Medium Duty Pressed Steel: Elastic Rubber Tyre Nylon Centre

80-200mm Diameter Wheel 150-400kg

- Press steel fork assembly zinc plated
- Swivel head and double ball race and head seal
- Roller bearing
- Elastic rubber tyre plastic centre
- Plain bearing hub complete with thread guards
- Colour coded thread guards on 100mm castors
- Zinc plated metal thread guards on all other sizes
- Combine swivel and wheel brakes



## Bolt Hole Fitting

Swivel Part No.	Braked Part No.	Wheel Dia. (mm)	Overall Height (mm)	Bolt Hole Dia. (mm)	Load Capacity (kg)
RT3LBHBLU	RT3LBHBBLU	80	99	M12	150
RT4LBHBLU	RT4LBHBBLU	100	124	M12	200
RT5LBHBLU	RT5LBHBBLU	125	154	M12	200
RT6LBHBLU	RT6LBHBBLU	160	185	M16	350
RT8LBHBLU	RT8LBHBBLU	200	230	M16	400

Please note: The above castors can be purchased complete with expander fittings.



## Plate Fitting

Swivel Part No.	Braked Part No.	Fixed Plate Part No.	Wheel Dia. (mm)	Overall Height (mm)	Plate Size	Hole Centres (mm)	Load Capacity (kg)
RT3LPBLU	RT3LPBBLU	RT3LFPBLU	80	100	105 x 80	80 x 60	150
RT4LPBLU	RT4LPBBLU	RT4LFPBLU	100	125	105 x 80	80 x 60	200
RT5LPBLU	RT5LPBBLU	RT5LFPBLU	125	155	105 x 80	80 x 60	200
RT6LPBLU	RT6LPBBLU	RT6LFPBLU	160	190	135 x 110	105 x 80	350
RT8LPBLU	RT8LPBBLU	RT8LFPBLU	200	235	135 x 110	105 x 80	400

## Medium Duty Pressed Steel: Nylon Wheel

100-200mm Diameter Wheel 200-400kg

- Press steel fork assembly zinc plated
- Swivel head and double ball race and head seal
- Roller bearing
- Nylon wheel
- Plain bearing hub complete with thread guards
- Zinc plated metal thread guards on all other sizes
- Combine swivel and wheel brakes



### Bolt Hole Fitting

Swivel Part No.	Braked Part No.	Wheel Dia. (mm)	Overall Height (mm)	Bolt Hole Dia. (mm)	Load Capacity (kg)
RT4LBHNY	RT4LBHBNY	100	124	M12	200
RT5LBHNY	RT5LBHBNY	125	154	M12	200
RT6LBHNY	RT6LBHBNY	160	185	M16	400
RT8LBHNY	RT8LBHBNY	200	230	M16	400

Please note: The above castors can be purchased complete with expander fittings.



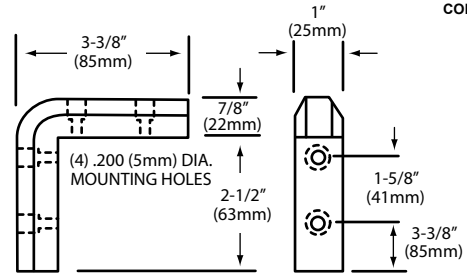
### Plate Fitting

Swivel Part No.	Braked Part No.	Fixed Plate Part No.	Wheel Dia. (mm)	Overall Height (mm)	Plate Size	Hole Centres (mm)	Load Capacity (kg)
RT4LPNY	RT4LPBNY	RT4LFPNY	100	125	105 x 80	80 x 60	200
RT5LPNY	RT5LPBNY	RT5LFPNY	125	155	105 x 80	80 x 60	200
RT6LPNY	RT6LPBNY	RT6LFPNY	160	190	135 x 110	105 x 80	400
RT8LPNY	RT8LPBNY	RT8LFPNY	200	235	135 x 110	105 x 80	400

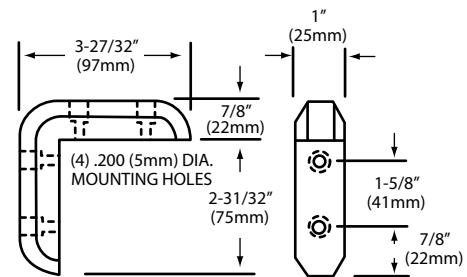
# Mobile Equipment Accessories

## Contempo Strip Bumper System

- Concealed mounting may be riveted or fastened with screws
- Two piece construction extruded anodized aluminium base with durable cushion strip that easily snaps into place
- Special corners and ends interface with strip
- Bumper to provide a continuous, uniform, one-piece appearance

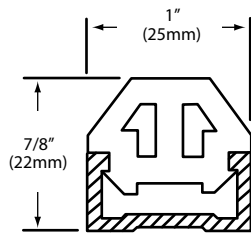


**Model No. C65-5090**

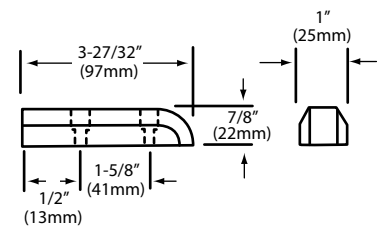


**Model No. C65-1010**

Part No.	Description
C65-5090	Corner interface
C65-1010	Corner bumper
C65-5000	End cap interface
C65-2072	Straight strip bumper 72" (1829mm/6ft) long
C65-2120	Straight strip bumper 120" (3048mm/10ft) long

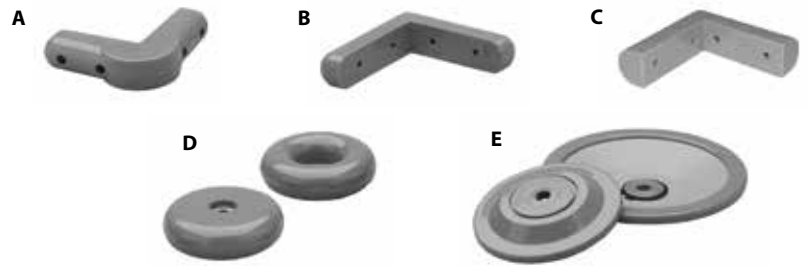


**Model No. C65-2072 / C65-2120**



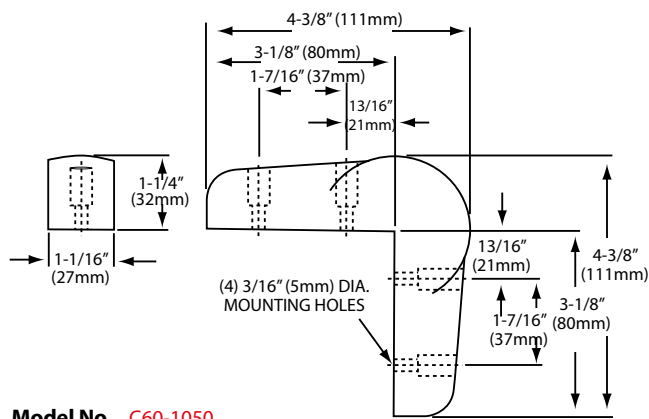
**Model No. C65-5000**

## Standard Bumper Components

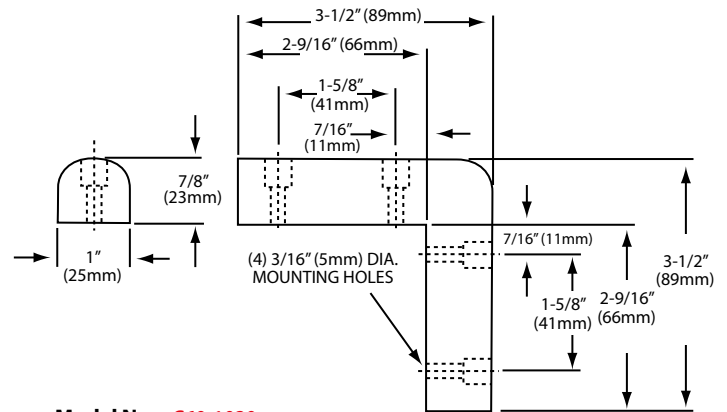


Ref.	Model No.	Description	Material
A	C60-1050	Corner bumper with rounded ends and corners	Grey PVC
B	C60-1040	Corner bumper with rounded ends	Grey PVC
C	C60-1030	Corner bumper with square ends	Grey rubber
D	C60-1020	Round bumper	Grey rubber steel reinforced
E	C60-1010	5" dia. rolling bumper 5" (127mm)	Grey rubber steel reinforced

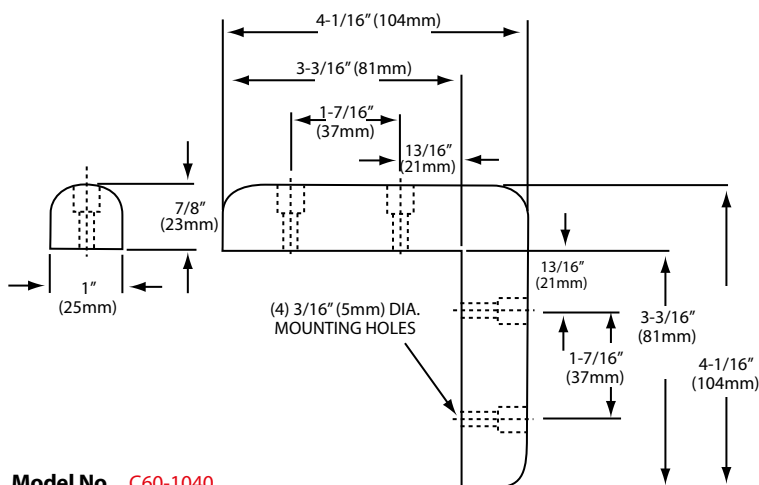
Castors & Accessories



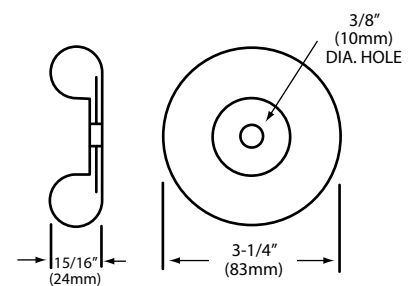
Model No. C60-1050



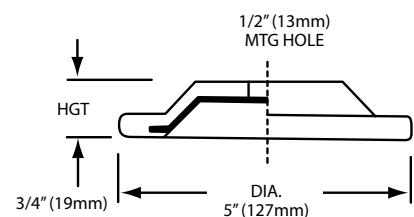
Model No. C60-1030



Model No. C60-1040



Model No. C60-1020



Model No. C60-1010





# Plumbing Components



# Plumbing Components

Accessories	44-45	Pre-Rinse Units	46-56
Basins	35-37	Mini Pre-Rinse Units	47
Stainless Steel	35	Spring Type	48-51
Wall Mounted Stainless Steel	36-37	Straight Arm	46-47, 52-53
Bowls	29-32, 34	Pre-Rinse Parts & Accessories	53-56
Pot Wash Bowls	29	Sink Tops	38
Stainless Steel Descaled	31-32	Soap Dispensers	38
Stainless Steel Round	34	Tap Parts	63-64
Stainless Steel Polished Sink Bowls	30,32	Gooseneck Spout	64
Bucket Sink	39	Swing Nozzle	63
Dipperwell Assembly	58	Taps	
Drain, Twist Handle, Waste Outlets	58	Chrome Plated Commercial	40-42
Faucets		Electronic	57
Add-On	53-54	Mix & Match	60-62
Electronic Mixing	51	Deck & Wall Mounted Faucets	43-44, 60-62
Gas Hoses	70	Upstand Strainer Systems	39
Glass Washer	45	Utility Spouts & T-Valve Assembly	43
Glass Filler	61	Bain Marie Drain	45
Janitorial Unit	38	Valves, Foot & Knee	44
Kettle Drain Valve	45	Water Hoses	68-69
KLARCO Retractable Hose Reel Units	65-67		
Overflow & Waste Assemblies	33		

Please order by 4pm for next day delivery.  
Timed and special deliveries can also be arranged.



## Pot Wash Bowls

### Franke Sissons Pot Wash Bowls

Part No.	RH/LH	Size (mm)
FS-765130DSLH	LH	760 x 510 x 300mm
FS-765130DSRH	RH	760 x 510 x 300mm
FS-765138DSLH	LH	760 x 510 x 380mm
FS-765138DSLH	LH	760 x 510 x 380mm



### Complete With Waste & Strainer

Part No.	RH/LH	Size (mm)
FS-76-12-SSLH	LH	760 x 510 x 300mm
FS-76-12-SSRH	RH	760 x 510 x 300mm
FS-76-12-CPLH	LH	760 x 510 x 300mm
FS-76-12-CPRH	RH	760 x 510 x 300mm
FS-76-14-SSLH	LH	760 x 510 x 380mm
FS-76-14-SSRH	RH	760 x 510 x 380mm
FS-76-14-CPLH	LH	760 x 510 x 380mm
FS-76-14-CPRH	RH	760 x 510 x 380mm

CP = Chrome Plated Waste  
SS = Stainless Steel Waste

### Die-Pat Fabricated Pot Wash Bowls

#### Bowl Only

Part No.	RH/LH	Size (mm)
IN765037LH/1.2	LH	760 x 500 x 370mm
IN765037RH/1.2	RH	760 x 500 x 370mm



#### With Waste & Strainer

Part No.	RH/LH	Size (mm)
EURO-76-14-CPLH/1.2	LH	760 x 500 x 370mm
EURO-76-14-CPRH/1.2	RH	760 x 500 x 370mm
EURO-76-14-SSLH/1.2	LH	760 x 500 x 370mm
EURO-76-14-SSRH/1.2	RH	760 x 500 x 370mm

CP = Chrome Plated Waste  
SS = Stainless Steel Waste

## Stainless Steel 304 Polished Sink Bowls

Weld In Bowls – 1mm Thickness

### Polished Bowls – Without Waste

Part No.	RH/LH	Size (mm)
KIT404025P		400 x 400 x 250
KIT404030P		400 x 400 x 300
KIT454525P		450 x 450 x 250
KIT454530P		450 x 450 x 300
KIT504025P	RH/LH	500 x 400 x 250
KIT504030P	RH/LH	500 x 400 x 300
KIT604525P	RH/LH	600 x 450 x 250
KIT604530P	RH/LH	600 x 450 x 300

Please note: When ordering specify whether left or right hand waste holes are required.

### Polished Bowls – With Chrome Plated Waste & Stainless Steel Strainer

Part No.	RH/LH	Size (mm)
EURO-40-10-CP		400 x 400 x 250
EURO-40-12-CP		400 x 400 x 300
EURO-45-10-CP*		450 x 450 x 250
EURO-45-12-CP		450 x 450 x 300
EURO-50-10-CP	RH/LH	500 x 400 x 250
EURO-50-12-CP	RH/LH	500 x 400 x 300
EURO-60-10-CP	RH/LH	600 x 450 x 250
EURO-60-12-CP	RH/LH	600 x 450 x 300

\* Special order



### Polished Bowls – With Stainless Steel Waste & Stainless Steel Strainer

Part No.	RH/LH	Size (mm)
EURO-40-10-SS		400 x 400 x 250
EURO-40-12-SS		400 x 400 x 300
EURO-45-10-SS *		450 x 450 x 250
EURO-45-12-SS		450 x 450 x 300
EURO-50-10-SS	RH/LH	500 x 400 x 250
EURO-50-12-SS	RH/LH	500 x 400 x 300
EURO-60-10-SS	RH/LH	600 x 450 x 250
EURO-60-12-SS	RH/LH	600 x 450 x 300

\* Special order



Part No. T12AF  
Supplied with S/S only.



Image is of bowl complete with waste and strainer (see page 39).

## Stainless Steel 304 Descaled Sink Bowls

Weld In Bowls – 1mm Thickness



### Descaled Bowls – Without Waste

Part No.	RH/LH	Size (mm)
IN404025		400 x 400 x 250
IN404030		400 x 400 x 300
IN504025	RH/LH	500 x 400 x 250
IN504030	RH/LH	500 x 400 x 300
IN604530	RH/LH	600 x 450 x 300

### Descaled Bowls – With Stainless Steel Waste & Stainless Steel Strainer

Part No.	RH/LH	Size (mm)
INEURO-40-10-SS		400 x 400 x 250
INEURO-40-12-SS		400 x 400 x 300
INEURO-50-10-SS	RH/LH	500 x 400 x 250
INEURO-50-12-SS	RH/LH	500 x 400 x 300
INEURO-61-12-SS	RH/LH	600 x 450 x 300



Image is of bowl complete with waste and strainer (see page 39).

### Weld In Bowls – Descaled With Chrome Plated Waste & Stainless Steel Strainer

Part No.	RH/LH	Size (mm)
INEURO-40-10-CP		400 x 400 x 250
INEURO-40-12-CP		400 x 400 x 300
INEURO-50-10-CP	RH/LH	500 x 400 x 250
INEURO-50-12-CP	RH/LH	500 x 400 x 300
INEURO-60-12-CP	RH/LH	600 x 450 x 300

## Stainless Steel Sink Bowls

Weld In/Inset Bowls: Polished finish – 1 mm thickness

### Stainless Steel Bowls Complete With Waste

#### Flat Flange

Part No.	RH/LH	Size (mm)	WOH
KIT252520P		250 x 250 x 200	WOH
KIT294020P		290 x 400 x 200	WOH
KIT333320P		330 x 330 x 200	WOH
KIT353220P		350 x 320 x 200	WOH
KIT403420P	RH/LH	400 x 340 x 200	WOH
KIT403425P	RH/LH	400 x 340 x 250	WOH
KIT404020P	RH/LH	400 x 400 x 200	WOH
KIT454520P		450 x 450 x 200	WOH

WOH = With Overflow Hole

#### Inset

Part No.	Size	Description
VDI3320	330 x 330 x 200	Inset bowl, no studs
VDI4030	400 x 400 x 300	Inset bowl, no studs

## Stainless Steel 304 Descaled Sink Bowls

Weld In Bowls

### Descaled Finish – 18 Gauge

Part No.	Size
HB223517DS/PL	229mm x 356mm x 178mm deep weld in basin

Please note: This bowl requires a [WK0187](#) waste as an extra (see page 39).



Please note: When ordering please specify whether left or right hand waste holes are required. These bowls come complete with VASF waste and overflow. Some bowls are not ex-stock. For more information on delivery, please contact our sales team.



Part No. VASF



## Overflow & Waste Assemblies

Overflow Tubes, Strainers & Wastes For Sink Bowls & Wash Basins



### Overflow Tubes Stainless Steel To Suit 1-1/2" BSP

Part No.	Seat Material	Length
E130240	Swedged	7 1/2" (190mm)
E130242	Swedged	10" (250mm)
E130244	Swedged	12" (300mm)

Please note: All the brass nickel plated overflow tubes fit the E181822 and E181500 (70mm face flange dia.) stainless steel drains and the E191823 (89mm face flange dia.) stainless steel drain.

### Overflow Tubes Brass Nickel Plated To Suit 1-1/2" BSP

Part No.	Seat Material	Length
E150240	Neoprene	7 1/2" (190mm)
E150242	Neoprene	10" (250mm)
E150244	Neoprene	12" (300mm)

## Wastes To Suit A Range Of Wash Hand Basins

Part No.	Description	To Suit Basin
SR1	Combined waste and overflow	To fit VR range of bowls, bowl height up to 200mm
WK0187	Combined waste and overflow	HB223517DS/PL and SR
WK0187/700	1 1/2" waste kit overflow assembly. Flange 89mm diameter	Can be used on up to 380mm deep bowls
BSW1PC	Waste and chain stay	HB240S, HB230R and HB230RW
FWW1PC	Combined waste and overflow	HB300R, HB290S, HB320S, HB430S, HB260R, HB305RW, HB260RW
VASF	1 1/2" waste kit for slotted overflow. Flange 70mm diameter	All 300mm deep bowls

Part No.	Description
SD17	1 1/2" brass chrome plated waste with chrome plated overflow tube, 155mm long
SD20	1 1/2" brass chrome plated waste with chrome plated overflow tube, 180mm long
SD25	1 1/2" brass chrome plated waste with chrome plated overflow tube, 235mm long
SD30	1 1/2" brass chrome plated waste with chrome plated overflow tube, 267mm long

# Stainless Steel Round Sink Bowls

## Weld In Bowls - Flat Flange

### Polished Finish



Part No.	Size
KITD2618*	260mm dia. x 180mm deep parallel sides
KITD3018*	300mm dia. x 180mm deep parallel sides
KITD3618*	360mm dia. x 180mm deep parallel sides

*\* Complete with VASF waste kit*

### Polished Finish

Part No.	Internal Diameter
VR36*	360mm x 170mm deep
VR38*	380mm x 170mm deep
VR42*	420mm x 170mm deep

*\* Complete with SR1 waste kit*



## Inset Bowls – Lipped Flange



### Polished Finish

Part No.	Internal Diameter	Flange Diameter	Fixings
VR30i*	300mm x 180mm deep	394mm	Three stud fixings. No ribs in base
VR38i*	380mm x 170mm deep	414mm	
VR42i*	420mm x 170mm deep	454mm	

*\* Complete with SR1 waste kit*

## Stainless Steel 304 Wash Hand Basins

Wash Hand Basins – Welded In / Inset



Polished Finish

Part No.	Item	Size	Gauge S/S
HB230R	D	230mm dia. x 150mm deep inset rim	18
HB230RW	F	230mm dia. x 150mm deep weld in rim	16
HB260R	D	260mm dia. x 160mm deep inset rim	18
HB260RW	F	260mm dia. x 160mm deep weld in rim	16
HB300R	D	290mm dia. x 160mm deep inset rim	18
HB305RW	F	305mm dia. x 160mm deep weld in rim	16



Part No.	Item	Size	Gauge S/S
HB300R/I	E	290mm dia. x 160mm deep c/w studs for inseting	18
HB320i**	A	290mm dia. x 160mm deep c/w studs for inseting	18
HB290i*	B	290mm dia. x 160mm deep c/w studs for inseting	18

All the above bowls are supplied complete with a FWWIPC waste kit

\* Offset rim, 1 tap hole  
\*\* Offset rim, 2 tap holes

# Wall Mounted Stainless Steel 304 Wash Hand Basins

## Wash Hand Basins – Wall Mounted



Advantages for HB240S, HB290S and HBCW:

- Fully spot welded assembly including apron to save installation time on site (no more nuts and bolts!)
- Keyhole mounted for easy fixing – template available
- All edges and corners rounded and folded for safety
- HB240S has an increased bowl size, making it more practical to use
- Superior finish



## Polished Finish

Part No.	Item	Size	Bowl Size
HB240S	A	295mm x 290mm x 135mm	240mm dia. x 105mm
HB290S	B	340mm x 345mm x 160mm	290mm dia. x 160mm
HB320S	C	400mm x 350mm x 105mm	320mm dia. x 105mm
HB430S	D	485mm x 360mm x 150mm	430mm x 280mm x 150mm
HBCW	E	300mm x 300mm x 150mm	245mm dia. x 125mm

Please note all of the above include waste kits



## Wall Mounted Stainless Steel 304 Wash Hand Basins



### Basins A & B

Wall mounted stainless steel wash hand basin with complete integral skirt. Knee operated mixing valve, single inlet spout and hoses. A soap dispenser can be fitted or a stainless steel blanking plate supplied. This unit is fitted on the wall by keyhole slots on the back and comes complete with combined overflow waste kit.

### Basins C & D

Wall mounted stainless steel wash hand basin with complete integral skirt. Two tap holes at the rear to be used with a single inlet spout and soap dispenser or a pair of basin taps. This is fitted on the wall via four key hole slots on the back and comes complete with combined overflow waste kit.



### Basin E

Wall mounted stainless steel wash hand basin. Two tap holes at the rear to be used with a single inlet spout and soap dispenser or a pair of basin taps. This unit is fitted on the wall via holes on the back and comes complete with combined overflow waste kit.

Part No.	Item	Unit Width	Unit Depth	Unit Height	Bowl Size	Bowl Depth	Upstand
HB430EUROKV	A	480mm	350mm	263mm	430 x 235mm	130mm	40mm
HB335EUROKV	B	400mm	342mm	230mm	335 x 225mm	120mm	40mm
HB430EURO	C	480mm	350mm	263mm	430 x 235mm	130mm	40mm
HB335EURO	D	400mm	342mm	230mm	335 x 225mm	120mm	40mm
HB335EURONS	E	383mm	300mm	185mm	335 x 225mm	120mm	60mm

Part No.	Description
HB335/VALVE/5	Replacement knee valve
HB335/TAP/1	Replacement tap
HBBP	Blanking plate

# Soap Dispensers

## Commercial Soap Dispenser

- 4" free-turning spout
- White polyethylene bottle, capacity: 950ml
- No dripping when not in use
- Vandal resistant locking cover (key included)



**Part No.** KS10-1000

## Stainless Steel 304 Sink Tops

Part No.	Description
SB12-65-65-SDLH/TH	Sink top 1200mm x 650mm single bowl single drainer left hand
SB12-65-65-SDRH/TH	Sink top 1200mm x 650mm single bowl single drainer right hand
SB15-65-65-SDLH/TH*	Sink top 1500mm x 650mm single bowl single drainer left hand. *(Minimum order quantity of 7).
SB15-65-65-SDRH/TH*	Sink top 1500mm x 650mm single bowl single drainer right hand. *(Minimum order quantity of 7).
DB15-65-45-SDLH/TH	Sink top 1500mm x 650mm double bowl single drainer left hand
DB15-65-45-SDRH/TH	Sink top 1500mm x 650mm double bowl single drainer right hand
DB18-65-65-SDLH/TH	Sink top 1800mm x 650mm double bowl single drainer left hand
DB18-65-65-SDRH/TH	Sink top 1800mm x 650mm double bowl single drainer right hand
DB24-65-65-DD/TH	Sink top 2400mm x 650mm double bowl double drainer



## Janitorial Range

### Stainless Steel 304 Janitorial Unit

Part No.	Dimensions
DP0039	500mm x 600mm
DP0040	500mm x 700mm

Faucet, waste kit, flexible hose fittings, grate and wall bracket included.



## Stainless Steel 304 Bucket Sink



Part No.	Dimensions
DPBS50	500mm x 520mm

Waste and splash back included.

## Stainless Steel Upright Strainer Systems

### Stainless Steel Strainer System – With Stainless Steel Waste

Part No.	Suits Bowl Height	Drain Material	Waste
EURO-SS-10	10" (250mm)	Stainless steel	E181500/R + T12A-F
EURO-SS-12	12" (300mm)	Stainless steel	E181500/R + T12A-F
EURO-SS-14*	14" (350mm)	Stainless steel	E181500/R + T12A-F

Please note all the above fit the KIT range of bowls on page 30. Waste flange diameter 72mm. \* To suit IN765037 bowl



### Stainless Steel Strainer System – With Chrome Plated Waste

Part No.	Suits Bowl Height	Drain Material	Waste
EURO-CP/10/01	10" (250mm)	Chrome plated	DB1/2
EURO-CP/12/01	12" (300mm)	Chrome plated	DB1/2
EURO-CP/14/01	14" (350mm)	Chrome plated	DB1/2



### Stainless Steel Upright Strainer – To Suit Chrome Plated Waste DB1/2

Part No.	Suits Bowl Height	Description
SS10/CP	10" (250mm)	S/S Strainer to suit Chrome Plated Waste
SS12/CP	12" (300mm)	S/S Strainer to suit Chrome Plated Waste
SS14/CP	14" (350mm)	S/S Strainer to suit Chrome Plated Waste

## WRAS Approved Chrome Plated Commercial Taps

### Comprehensive Range Of Chrome Plated Polished Brass Taps Complete With Brass Lock Nuts



Part No.	Description
1000/D	1/2" Basin taps with crossheads



Part No.	Description
4100/D	1/2" Basin taps with tricon heads



Part No.	Description
1100/D	1/2" Basin taps with 3" levers
1100/6/D	1/2" Basin taps with 6" levers



Part No.	Description
2000/D	1/2" Pillar taps with crossheads



Part No.	Description
2100/D	1/2" Pillar taps with 3" levers
2200/D	1/2" Pillar taps with 6" levers



Part No.	Description
4000/D	1/2" Pillar taps with tricon heads



Part No.	Description
2010/01H	3/4 inch high neck pillar taps with cross heads. (Come singular as hot and cold).

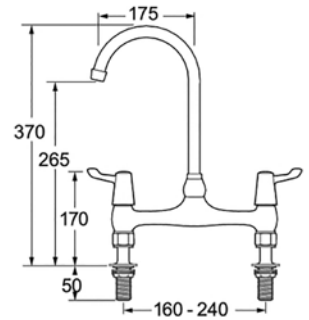
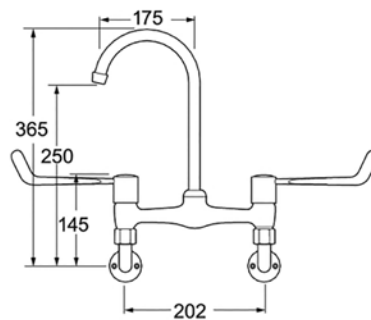
Please note this product is not WRAS approved.

Part No.	Description
2010/01C	3/4 inch high neck pillar taps with cross heads. (Come singular as hot and cold).

Please note this product is not WRAS approved.



Part No.	Description
6400/3/D	Deck mounted Lever Bridge sink mixer with 3" levers, swivel spout and divided flow
6400/6/D	Deck mounted Lever Bridge sink mixer with 6" levers, swivel spout and divided flow
6600/6/D	Wall mounted Lever Bridge sink mixer with 6" levers, swivel spout and divided flow





Part No.	Description
3007/D	1/2" Sink mixer with crossheads & 7" bi-flow swivel spout



Part No.	Description
4200/D	1/2" Sink mixer with tricon heads & 8" bi-flow swivel spout



Part No.	Description
6100/D	1/2" Sink mixer with 3" levers & 7" bi-flow swivel spout
6100/6/D	1/2" Sink mixer with 6" levers & 7" bi-flow swivel spout



Part No.	Description
4500/D	Monoblock mixer tap with tricon heads & 8" bi-flow swivel spout
6500/D	Monoblock mixer tap with 3" levers & 8" bi-flow swivel spout



Part No.	Description
CORM03/D	1/2" Self closing basin taps



Part No.	Description
CHN40/D	1/2" Bib taps with crossheads

## Chrome Plated Utility Spouts & T Valve Assembly

### T Valve Assembly



Part No. 8020190

Part No. OPP305.00.00

Part No.	Description
8020190	1/2" male – 1/2" female T Valve assembly
OPP305.00.00	1/2" male – 1/2" male T Valve assembly

### 1/2" Deck & Wall Mounted Spouts



Part No.	Description
K809004	4" Wall mounted spout
K809006	6" Wall mounted spout

Plumbing Components

### K74 Series Deck Mount Spout Bases – With Swing Spouts



Part No.	Spout Reach
K749006	6" (150mm)
K749008	8" (200mm)
K749010	10" (250mm)
K749012	12" (300mm)
K749014	14" (350mm)
K749016	16" (400mm)
K749018*	18" (450mm)

\* Please note this is a double jointed spout

### K74 Series Deck Mount Spout Bases – With Swivel Gooseneck Spouts



Part No.	Spout Reach	Overall Height
K749000	3 1/2" (90mm)	8" (200mm)
K749001	8 1/2" (215mm)	12" (300mm)
K749002	6" (150mm)	9 1/4" (320mm)



## K67 Series 6" Centres, Deck Mounted Taps

Part No.	Description
K676010	10" swing spout
K676012	12" swing spout

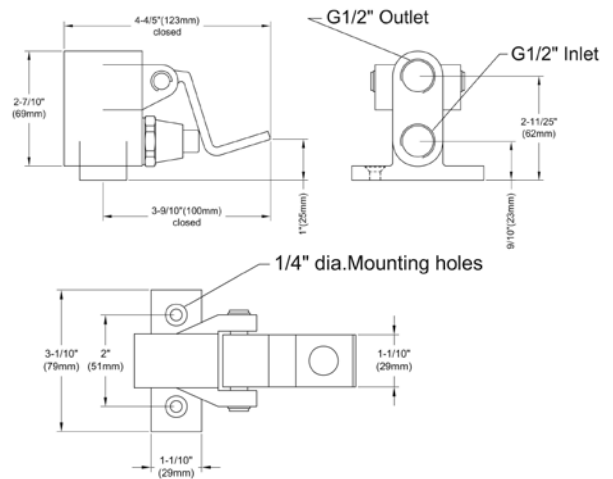


## Accessories

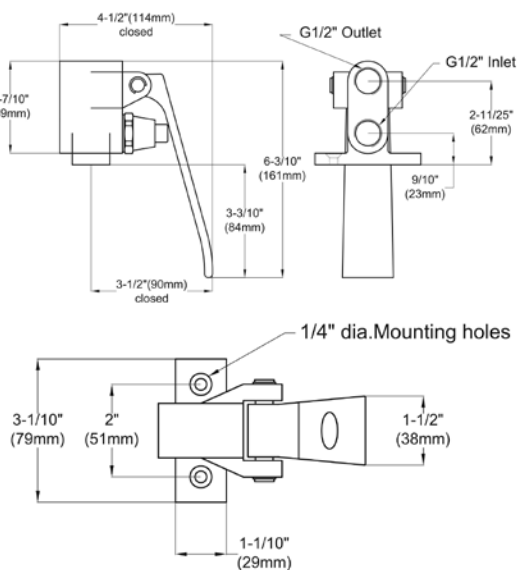
Part No.	Description
K365000	Trough inlet fitting
K366000	Swirl inlet fitting



Part No.	Description
DP252000	Single foot operated valve



Part No.	Description
DP254000	Single knee operated valve





## 1/4 Turn Bain Marie Drain Assembly

**Part No. BMD12-1**

Bain Marie drain assembly complete with quarter turn ball valve 12" chrome plated swivel spout and stainless steel nipple for welding or brazing into the base of the Bain Marie. A drain 1/2" waste can be supplied at extra cost.



Part No.	Description
E16-4171	1/2" Brass drain 2" long
E16-4172	1/2" Brass nickel plated drain 2" long

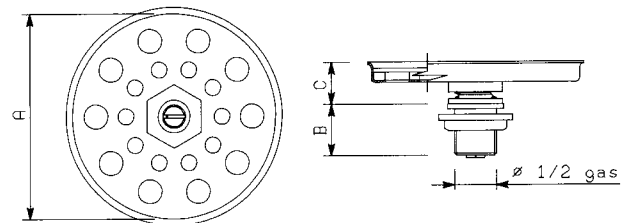
Plumbing Components

## Glass Washer

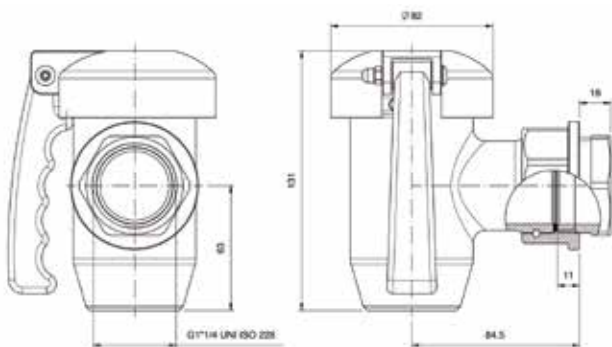
- Made of 304 stainless steel
- Plastic shock-resistant contact plate, perforated for water inlet
- Pressure activated by pushing the glass downwards



Part No.	A	B	C	No. of holes
SB1	102	26	24	20
SB11	102	26	24	10



## Kettle Drain Valve



Part No.	Description
8003535/01	1 1/4" kettle drain valve

## H2O Pre-Rinse Units – Straight Arm

The H2O Pre-Rinse Units are heavy duty units suitable for commercial kitchens, restaurants and hotels.

These units include check valves to prevent cross-flow, 12" wall brackets for secure installation and heavy duty swivel arm support for the straight arm units to strengthen and prevent damage.

The straight arm Pre-Rinse start from 35" (895mm) in height. Accessories and add-on taps are available for all units.



Part No.	Description
DP605026-12	Straight arm, double deck mounted, Pre-Rinse Unit with heavy duty swivel arm support



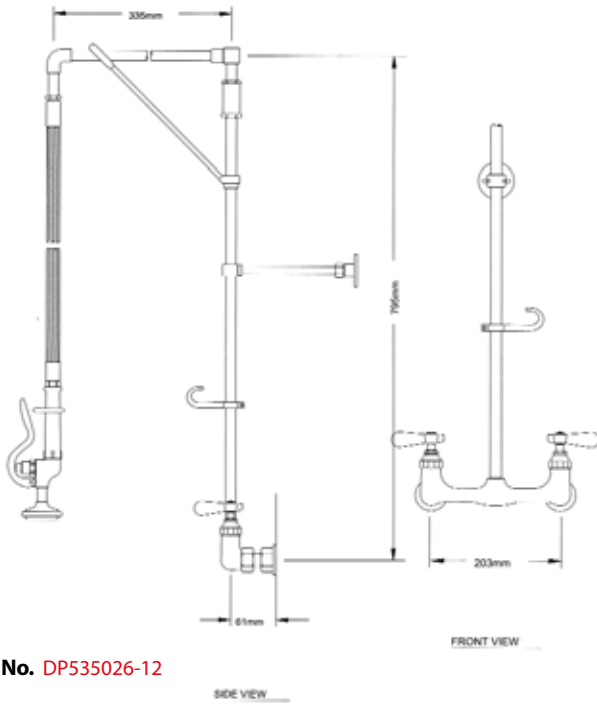
Part No.	Description
DP635032-12	Straight arm, single deck mounted, Pre-Rinse Unit with heavy duty swivel arm support



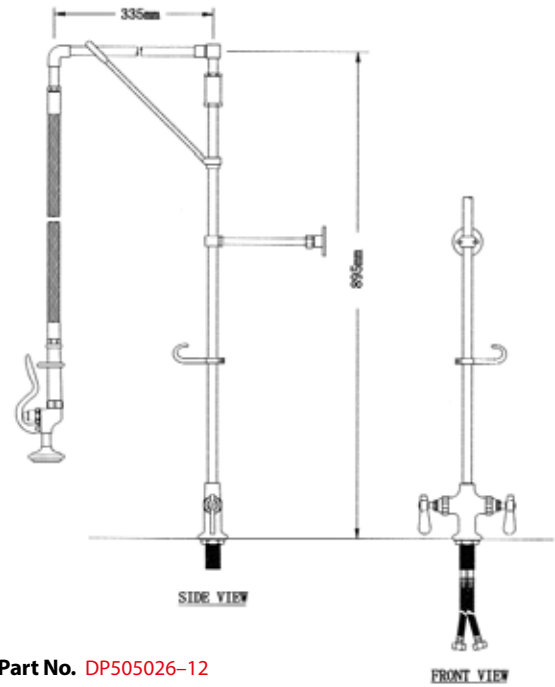
Part No.	Description
DP535026-12	Straight arm, double wall mounted, Pre-Rinse Unit with heavy duty swivel arm support



Part No.	Description
DP505026-12	Straight arm, monobloc mounted, Pre-Rinse Unit with heavy duty swivel arm support



Part No. DP535026-12

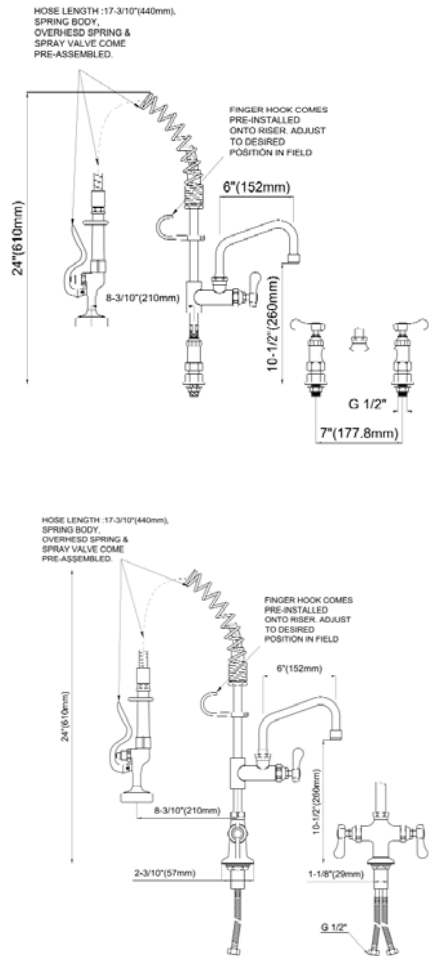


Part No. DP505026-12

Plumbing Components

## MINI Pre-Rinse Units

The H2O MINI Pre-Rinse Unit provides the same flexibility and performance as the standard Pre-Rinse Unit, but is suitable when space or height restrictions apply. The unit is supplied with an add-on tap and 6" swing nozzle.



Part No.	Description
DP60MN-2*	Double deck mounted, MINI Pre-Rinse Unit with flexible hose.
DP63MN-2	Single deck mounted, MINI Pre-Rinse Unit with flexible hose.

Part No.	Description
DP50MN-2*	Monobloc mounted, MINI Pre-Rinse Unit with flexible hose.
DP53MN-2	Wall mounted, MINI Pre-Rinse Unit with flexible hose.

\*WRAS approved.

## H2O Pre-Rinse Units – Flexible Hose

The flexible hose Pre-Rinses start from 45" (1143mm) in height. Units are supplied with wall bracket. Accessories and add-on taps are also available for all units.



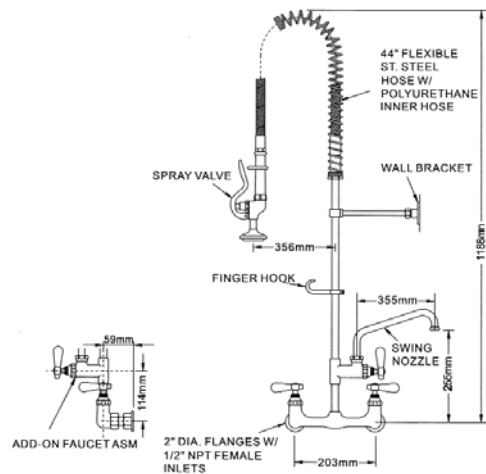
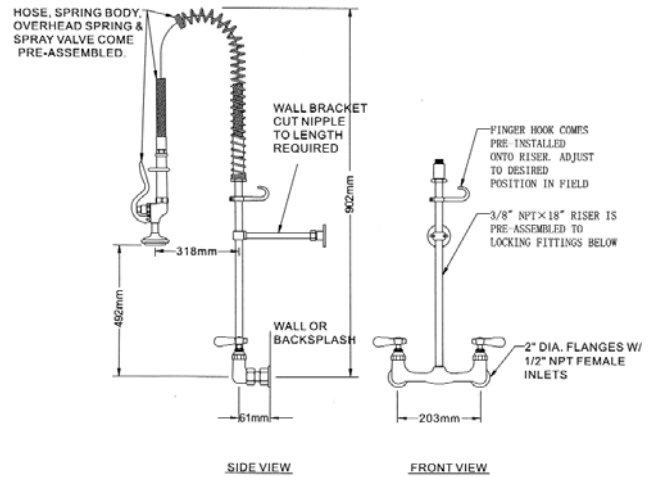
Part No.	Description
DP691BR	Single wall mounted Pre-Rinse Unit with flexible hose



Part No.	Description
DP531BR	Double wall mounted Pre-Rinse Unit with flexible hose



Part No.	Description
DP631BR	Single deck mounted Pre-Rinse Unit with flexible hose

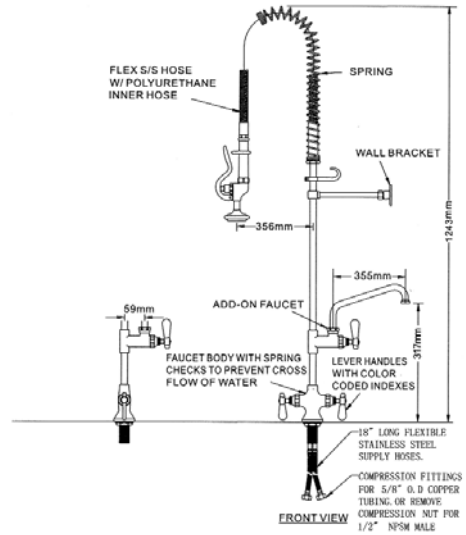
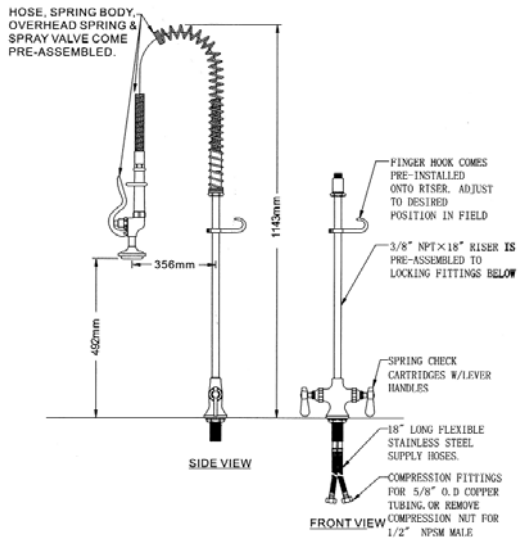




Plumbing  
Components

Part No.	Description
DP601BR	Double deck mounted Pre-Rinse Unit with flexible hose

Part No.	Description
DP501BR	Monobloc mounted Pre-Rinse Unit with flexible hose



## Pre-Rinse Units – Spring Type

Pre-rinse assemblies are approximately 38" (965mm) high with a clearance height for underside of Pre-rinse sprayhead to base of faucet of 10" (254mm).

The overhanging projection distance from centre-line of faucet to centre-line of spray head assembly is 15" (381mm).

KN56, KN66 and KN60 Series are furnished with 1/2" NPS mounting hardware.

These units are not suitable for low water pressure areas – a minimum of 2 Bar, 28 PSI, is the optimum working pressure.



Part No.	Description
KN50-1000-BR	Furnished with 1/2" NPS male inlets on 4" (100mm) centres with 1/4" NPT union tailpieces and mounting hardware. 32mm diameter hole required.



Part No.	Description
KN53-1000-BR	Wall mounted. Furnished with 1/2" NPS female inlets. 8" (200mm) adjustable centres.



Part No.	Description
KN56-1000-BR	Furnished with 1/2" NPS mounting hardware. 4" (100mm) adjustable centres.



Part No.	Description
KN66-1000-BR	Furnished with 1/2" NPS mounting hardware. 6" (153mm) adjustable centres.



Part No.	Description
KN60-1000-BR	Furnished with 1/2" NPS mounting hardware. 8" (200mm) adjustable centres.



Part No.	Description
KN63-1000-BR	Furnished with 1/2" NPS male inlet, 1/4" NPT union tailpiece and mounting hardware.



Part No.	Description
KN69-1000-BR	Wall mounted. Furnished with 1/2" NPS nipple and mounting hardware.

## Pre-rinse Units

- Heavy gauge swivel arm mated to a solid, forged swivel elbow, designed to withstand the demands of commercial operations
- Available with 12" (304mm) or 18" (457mm) swing arm offering a full 360° rotation
- Furnished with both a conventional pattern spray head as well as exclusive ENCORE water saver spray head
- Wall bracket included for fast, secure installation
- Includes a spray head hook which holds spray head away from work area when not in use
- Nylon reinforced hose is protected by heavy gauge, stainless steel shield complete with ENCORE's exclusive strain relief spring, ensuring long product life



Part No.	Description
K50Y500	Optional heavy-duty swivel arm support is recommended



Part No.	Description
K50Y051	Swivel joint allows hose to swivel 360° on pre-rinse swivel arm



Part No.	Description
K635026-12	Single deck mounted swivel arm Pre-rinse assembly.



Part No.	Description
K505026-12	Double pantry swivel arm Pre-rinse assembly. Furnished with 1/2" NPS male inlets on 4" (100mm) centres with 1/4" NPT union tailpieces and mounting hardware. 32mm diameter hole required.





Part No.	Description
K535026-12	Wall mounted swivel arm Pre-rinse assembly with 8" (200mm) adjustable centres.

Part No.	Description
K605026-12	Deck mounted swivel arm Pre-rinse assembly with 8" (200mm) adjustable centres.

Plumbing Components

## Pre-rinse Units – Accessories

### Add-on Faucets

The Add-on Faucet extends the flexibility of Pre-rinse assemblies by providing additional swivel spout capability.

The only Add-on Faucet designed specifically to permit full spout swing without interference with the riser pipe.

Installation is easy, utilising the same water lines and controls as the Pre-rinse. Separate valve is used to control the spout flow.

Available with ceramic valves.

## KN55 Series Add-on Faucet With Swing Spouts



Part No.	Spout Length
KN55-7006	6" (150mm)
KN55-7008	8" (200mm)
KN55-7010	10" (250mm)
KN55-7012	12" (300mm)
KN55-7014	14" (350mm)
KN55-7016	16" (400mm)

## PowerPulse

- PowerPulse™ pre-rinse spray valve with grip
- High-efficiency pre-rinse spray valve
- Flow rate: 1.05 gpm, 60 psi
- Unique pulsing action
- Low lead compliant
- Stainless steel non-clogging nozzles deliver low maintenance
- Reduced heat transfer to grip



Part No.	Flow rate (litres/min)	Clean time (seconds)	Total water usage (litres)
KLP50-0220105	3.98	12	0.79

## H2O Pre-Rinse Parts & Accessories



Part No.	Encore Part No.	Description
DP50Y020	K50Y020	12" Wall bracket
DP50Y20		6" Wall bracket



Part No.	Encore Part No.	Description
DP50Y004	K50Y004-44	
DP50Y10	K50Y010-44	Hose only



Part No. DP557006

Part No.	Description
DP557006	6" add-on tap
DP557008	8" add-on tap
DP557012	12" add-on tap



Part No.	Encore Part No.	Description
DP50X77	K50X077	Riser pipe with wall hook



Part No. DP50X25



Part No. DP50X33



Part No.	Description
DP50Y67	Valve replacements (one hot and one cold valve replacement per pack)
K50Y006	Cold valve replacement (Encore)
K50Y007	Hot valve replacement (Encore)



Part No.	Description
DP63Y001	Single deck mounted tap body only



Part No. DP50X32

Part No.	Encore Part No.	Description
DP50Y004	K504004-44	Stainless steel hose with grip
DP50Y10	K504010-44	Stainless steel hose only
DP50X25	K50X025	Plastic hose grip
DP50X32	K50X032	Spring retainer
DP50X33	K50X033	Coil spring



Part No. DP50Y2



Part No. K50Y002

Part No.	Description
DP50Y2	Spray gun
DP50Y2/.65G	Low-flow spray gun
K50Y002	Encore spray gun



Part No.	Description
DP60Y003	Double deck mounted tap body only



Part No. DP50Y001

Part No. DP50X125

Part No.	Description
DP50Y001*	Monobloc mounted tap body only
DP50X125	Deck mounted connector

\*WRAS approved.



Part No. DP70Y001

Part No. DP50X123

Part No.	Description
DP70Y001*	Single wall mounted tap body only
DP50X123	Wall mounted connector

\*WRAS approved.



Part No.	Encore Part No.	Description
DP50Y27	K50Y027	Self closing cartridge for gun



Part No.	Encore Part No.	Description
DP500110	K500110	Lever handle repair kit



Part No.	Encore Part No.	Description
DP5002	K500200	Spray gun repair kit

## Electronic Tap

This electronic water saving tap has a microcomputer control to enable an automatic on/off motion with a 1 second time delay. The tap comes with deck mounted fittings only and is manufactured from brass with chrome plating.

**Features:**

- Hands free
- Water saving
- Hygienic
- Infrared sensor
- Microcomputer control
- Automatic on/off switch
- 1 second time delay
- Brass with chrome plate construction
- Non-adjustable for rate at 6.5L/min at 0.1Mpa
- Battery powered – uses 4 x AA batteries (not included)

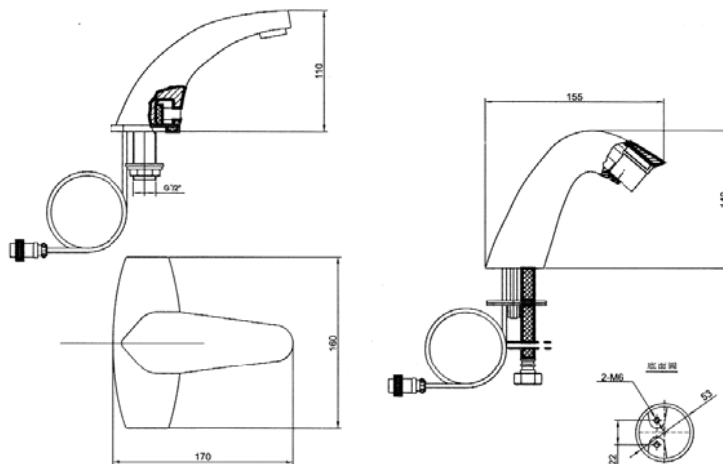


**Part No. DPMS42D**

Part No.	Description
DPMS42D	Electronic deck mounted tap
DPMS42D/KIT	Electronic deck mounted tap with mixer valve
DPGR100	Mixer valve



**Part No. DPGR100**



# Twist Handle Drain & Accessories

## Twist Handle Drain

Part No.	Description
DP507210P	Plastic bodied twist handle drain with overflow outlet



Part No. DP507210P - Plastic

Part No.	Description
DP507100	3.5" open end twist handle metal drain, 1.5" thread
DP507200	3.5" open end twist handle metal drain, 2" thread
DP107310	3.5" open end lever handle metal drain, 1.5" thread
DP507210P	3.5" open end twist handle plastic drain, 2" thread



Part No.	Description
DP504580	Overflow head



Part No.	Description
DP484660	Overflow elbow

## Dipperwell Assembly

Part No.	Description
DP301010	Dipperwell assembly



## Taps – Mix & Match

All of our taps can be mixed and matched and can be mounted in the following ways:

- Single deck mount
- Double deck mount
- Single wall mount
- Double wall mount
- Monobloc deck mount

The following pages show an extensive range of the most popular combinations. However, you can choose the mount type you require and then select the spout from our collection. Simply call our sales team on 01327 311 144 and they will provide you with the product codes and prices for your combination.

Spout options come in a range of sizes varying from 6" to 12" and up to 24" for the double-jointed spout.

### Spout options include:

- Gooseneck spout
- Swing spout
- Double-jointed spout

### Wrist Blades

Wrist blades provide the user with full functionality of the tap without having to use your hands to turn the water on or off. This enables a higher standard of hygiene to be maintained.

A selection of our taps are also available with wrist blades. Call our sales team on 01327 311 144 to obtain a quote for this additional feature.





# Taps



Part No.	Description
DP649006	Single, deck mounted tap with 6" swing spout
DP649008	Single, deck mounted tap with 8" swing spout
DP649010	Single, deck mounted tap with 10" swing spout
DP649012	Single, deck mounted tap with 12" swing spout
DP649018	Single, deck mounted tap with 18" double jointed spout



Part No.	Description
DP617002	6" double deck mounted gooseneck pantry tap
DP617001	8" double deck mounted gooseneck pantry tap

Part No.	Description
DP574001	4" centre deck mounted tap with 8" goose neck spout



Part No.	Description
DP649001	Single, deck mounted tap with 8" goose neck spout
DP649002	Single, deck mounted tap with 6" goose neck spout



Part No.	Description
DP617006	6" double deck mounted pantry tap
DP617008	8" double deck mounted pantry tap
DP617010	10" double deck mounted pantry tap
DP617012	12" double deck mounted pantry tap



Part No.	Description
DP617024	Double deck mounted tap with a double jointed spout





Part No.	Description
DP519006	Deck mounted monobloc pantry tap with 6" swing spout
DP519008	Deck mounted monobloc pantry tap with 8" swing spout
DP519010	Deck mounted monobloc pantry tap with 10" swing spout
DP519012	Deck mounted monobloc pantry tap with 12" swing spout
DP649018	Deck mounted monobloc pantry tap with 18" swing spout



Part No.	Description
DP519001	Deck mounted monobloc pantry tap with 8" goose neck spout
DP519002	Deck mounted monobloc pantry tap with 6" goose neck spout



Part No.	Description
DP519024	Double deck mounted monobloc pantry tap with a double jointed spout



Part No.	Description
DP265000	Glass filler

## Single Wall Mounted Pantry Tap



### *With Handle*

---

<b>Part No.</b>	<b>Description</b>
DP709008	8" single wall mounted pantry tap
DP709010	10" single wall mounted pantry tap
DP709012	12" single wall mounted pantry tap
DP709018	18" single wall mounted pantry tap
DP709024	24" single wall mounted pantry tap

---

### *Without Handle*

---

<b>Part No.</b>	<b>Description</b>
DP729008	Wall mounted base with 8" spout
DP729012	Wall mounted base with 12" spout

---

## Double Wall Mounted Pantry Tap



---

<b>Part No.</b>	<b>Description</b>
DP548006	6" double wall mounted pantry tap
DP548008	8" double wall mounted pantry tap
DP548012	12" double wall mounted pantry tap
DP548018	18" double wall mounted pantry tap

---

## Tap Parts



### Swing Nozzle

Part No.	Description	Length
DP11X6	6" swing nozzle	6" (152mm)
DP11X8	8" swing nozzle	8" (203mm)
DP11X10	10" swing nozzle	10" (254mm)
DP11X12	12" swing nozzle	12" (305mm)
DP11X16	16" swing nozzle	16" (406mm)
DP118DJ	18" double jointed spout only	



Part No.	Description
DP009DJ	24" double jointed spout only



Part No.	Description
DP54Y001	Wall mounted tap



Part No.	Description
DP60Y003	Deck mounted mixer tap unit body only



Part No.	Description
DP50Y003	Deck mounted monobloc pre-rinse body only




---

**Part No.**            **Description**

DP56Y001            Tap body

---




---

**Part No.**            **Description**

DP11X112            12" extension spout for tap

---




---

**Part No.**            **Description**

DP70Y001            Single wall mounted tap body only

---




---

**Part No.**            **Description**

DP63Y001            Single deck mounted tap body only

---

## Gooseneck Spout




---

Part No.	Description	Spread	Height
----------	-------------	--------	--------

DP11X2	6" gooseneck spout	5-11/16" (150mm)	10-3/8" (264mm)
--------	--------------------	------------------	-----------------

DP11X1	8" gooseneck spout	7-3/4" (200mm)	11-7/16" (290mm)
--------	--------------------	----------------	------------------

---

## KLARCO – Retractable Hose Reel Units

### MAXI Reel (M20, M15 & M10) – Retractable Swivel Hose Reel Unit For Wall Or Ceiling Mounting

A professional spray gun ("EUR/R" or alternatively an extended spray gun), connected to a retractable (food service approved) rubber hose. The shell, mounting flanges and screws are stainless steel (AISI304). Designed for easy installation, saving space and guaranteeing maximum hygiene. An ideal accessory for cleaning large kitchens or food service rooms (supermarkets, butchers etc.).

Available with a 20 metre (Model M20), 15 metre (Model M15) or 10 metre (Model M10) hose.

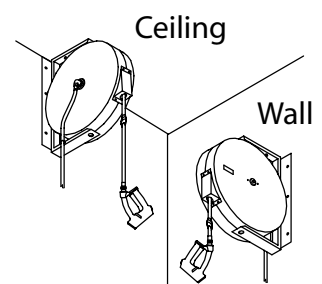
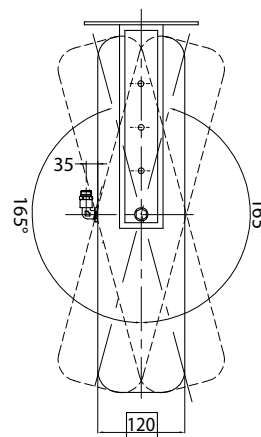
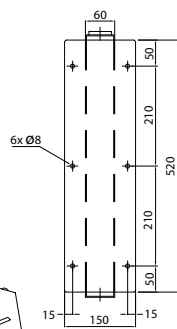
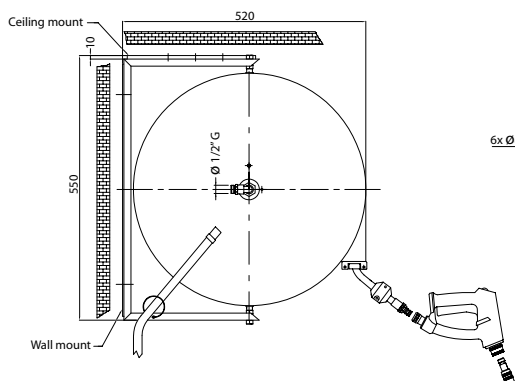


Part No. P449

Part No.	Description
5R.M10.449	M10 Reel Standard w/ Niro-2 Combi spray gun
5R.M10.480	M10 Reel Extended w/ Niro-2 Combi spray gun & jet extension (L. 55cm)
5R.M15.449	M15 Reel Standard w/ Niro-2 Combi spray gun
5R.M15.480	M15 Reel Extended w/ Niro-2 Combi spray gun & jet extension (L. 55cm)
5R.M20.449	M20 Reel Standard w/ Niro-2 Combi spray gun
5R.M20.480	M15 Reel Extended w/ Niro-2 Combi spray gun & jet extension (L. 55cm)
P449	Niro-2 Combi spray gun
P148	Jet extension

Technical features:

- Max. operating temperature: 90°C
- Max. operating pressure: 850 kPa (8.5 Bar)
- Water output at 300 kPa: 12 litres/min.
- M15 weight: 18kg (approx.)
- M10 weight: 4kg (approx.)



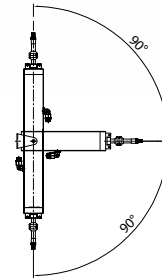
## MIDI Reel (M6 & M3) – Retractable Swivel Hose Reel Unit For Wall Mounting

A professional spray gun, connected to a retractable (foodservice approved) rubber hose available in 3 metre or 6 metre lengths. The shell, mounting flanges and screws are stainless steel (AISI304). Designed for easy installation, saving space and guaranteeing maximum hygiene. Ideal for cleaning sinks and food service tables.

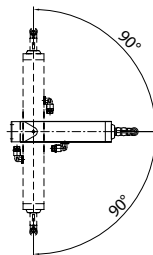
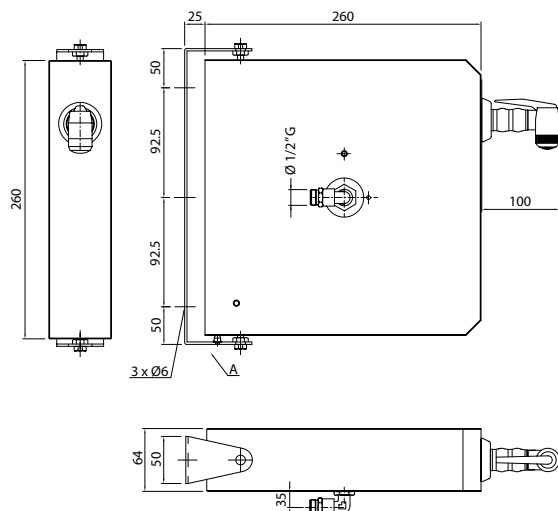
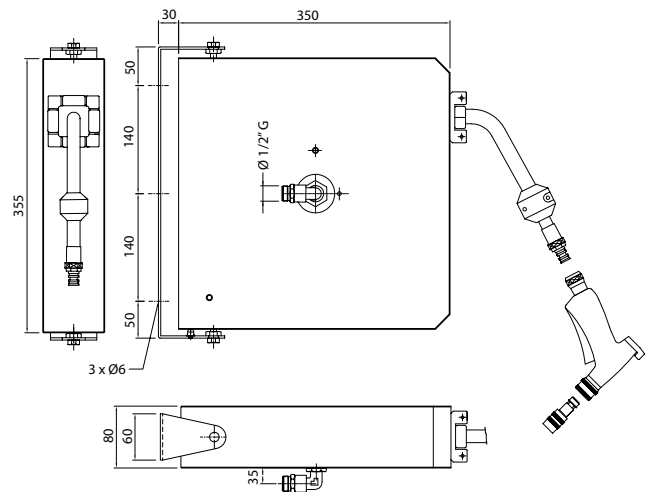
Available with a 6 metre (Model M6) or 3 metre (Model M3) hose.

### Technical features:

- Max. operating temperature: 90°C
- Water output at 300 kPa: 10 litres/min.
- M6 Max. operating pressure: 850 kPa (8.5 Bar)
- M6 weight: 8kg (approx.)
- M3 Max. operating pressure: 600 kPa (6 Bar)
- M3 weight: 5kg (approx.)



Part No.	Description
5R.M6Q.448	M6 Reel w/ Nitro-1 spray gun
5R.M6Q.450	M6 Reel w/ Nitro-1 elongated spray gun
P448	Spray gun for M6 Reel
P043	ECO/R spray gun for M4 reel
5R.M40.043	M4 Reel w/ ECO/R spray gun



## MINI Reel – Retractable Hose Reel Unit For Undersink & Combi Ovens

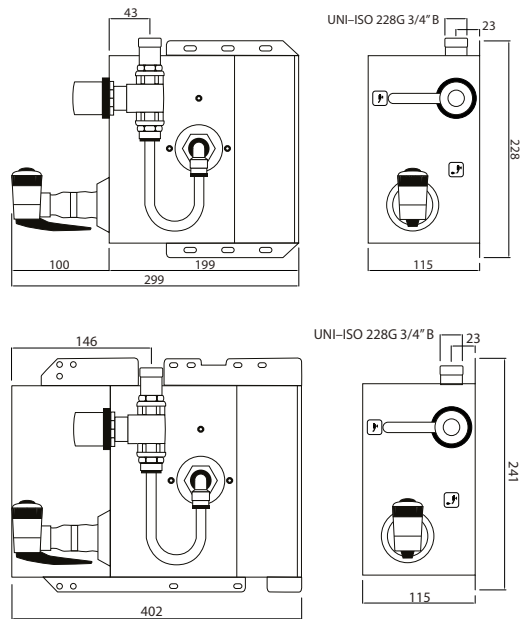
A professional spray gun ('ECO/R' with 3/8" Female inlet), connected to a 150cm long retractable (foodservice approved) rubber hose with a 1/4 inch stop valve. Cased inside a stainless steel (AISI304) shell. Designed for easy installation, saving space and guaranteeing maximum hygiene.



Technical features:

- Max. operating temperature: 90°C
- Max. operating pressure: 600 kPa (6 Bar)
- Water output at 300 kPa: 8 litres/min.
- Weight: 3kg (approx.)

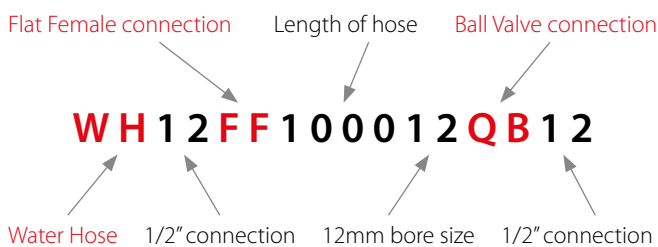
Part No.	Description
MOD9200000	Standard model
MOD9200100	Protected model
9030302	ECO/R spray gun (3/8" Female inlet)
9200/241	MINI Reel handle
1991150030019/D	1/2" valve



Plumbing Components

## Water Hoses

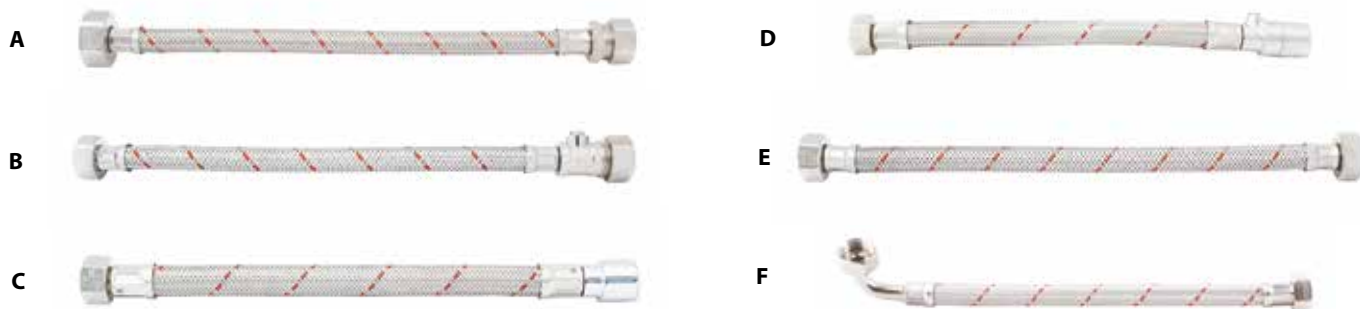
When ordering the following items please specify the following requirements prefixed with WH – for example: **WH12FF100012QB12**



1. Size of connection:  
 FF = Flat Female  
 FM = Flat Male  
 QB = Ball Valve  
 QC = Quick Connect  
 EL = Elbow  
 FC = Female Cone  
 CP = Compression  
 CPIV = Compression with Isolation Valve  
 CPF = Chrome Push Fit  
 FFSF = Flat Faced Swivel Female  
 FFFE = Flat Faced Female Elbow
2. Length of hose in mm
3. Bore size: 9, 12, 19
4. Type of connection
5. Size of connection

**Please note:** Minimum quantity of non stock items – 10 per size. When ordering QB or QC Hoses they suit 15mm and 22mm pipe. Vending hoses are also available upon request, delivery to be advised when ordering.

## Stainless Steel Braided Water Hoses



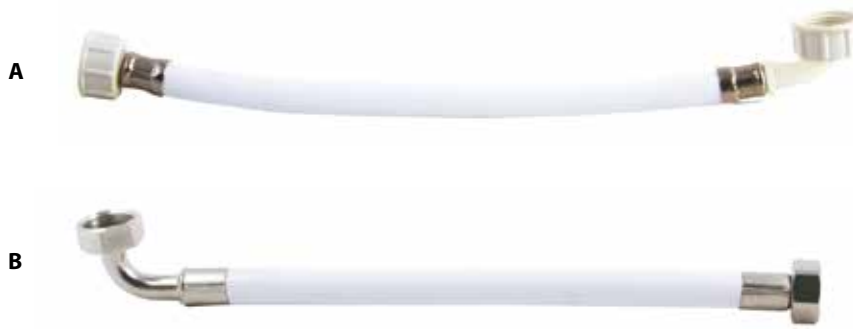
Ref.	Part No.	Description
A	WHTC12SF30010CP15	Braided S/S Tap Connector. 1/2" Swivel Female x 300mm x 15mm Compression - 10mm Bore
A	WHTC12SF50010CP15	Braided S/S Tap Connector. 1/2" Swivel Female x 500mm x 15mm Compression - 10mm Bore
B	WHTC12SF30010CPV15	Braided S/S Tap Connector. 1/2" Swivel Female x 300mm x 15mm Compression with Isolation Valve - 10mm Bore
C	WHTC12SF30013CPF15	Braided S/S Tap Connector. 1/2" Swivel Female x 300mm x 15mm Elegant Chrome Push Fit - 13mm Bore
C	WHTC12SF50013CPF15	Braided S/S Tap Connector. 1/2" Swivel Female x 500mm x 15mm Elegant Chrome Push Fit - 13mm Bore
D	WHTC12SF30013CPFV15	Braided S/S Tap Connector. 1/2" Swivel Female x 300mm x 15mm Elegant Chrome Push Fit with Isolation Valve - 13mm Bore
D	WHTC12SF50013CPFV15	Braided S/S Tap Connector. 1/2" Swivel Female x 500mm x 15mm Elegant Chrome Push Fit with Isolation Valve - 13mm Bore

Ref.	Part No.	Description
E	WH12FFSF1.013FFSF12	Braided S/S Water Hose 1/2" Flat Faced Swivel Female x 1000mm x 1/2" Flat Faced Swivel Female - 13mm Bore
E	WH12FFSF1.213FFSF12	Braided S/S Water Hose 1/2" Flat Faced Swivel Female x 1200mm x 1/2" Flat Faced Swivel Female - 13mm Bore
E	WH12FFSF1.513FFSF12	Braided S/S Water Hose 1/2" Flat Faced Swivel Female x 1500mm x 1/2" Flat Faced Swivel Female - 13mm Bore
E	WH12FFSF2.013FFSF12	Braided S/S Water Hose 1/2" Flat Faced Swivel Female x 2000mm x 1/2" Flat Faced Swivel Female - 13mm Bore
F	WH12FFSF1.213FFFE12	Braided S/S Water Hose 1/2" Flat Faced Swivel Female x 1200mm x 1/2" Flat Faced Female Elbow - 13mm Bore
F	WH12FFSF1.513FFFE12	Braided S/S Water Hose 1/2" Flat Faced Swivel Female x 1500mm x 1/2" Flat Faced Female Elbow - 13mm Bore

Ref.	Part No.	Description
F	WH34FFSF1.213FFFE34	Braided S/S Water Hose 3/4" Flat Faced Swivel Female x 1200mm x 3/4" Flat Faced Female Elbow - 13mm Bore
F	WH34FFSF1.513FFFE34	Braided S/S Water Hose 3/4" Flat Faced Swivel Female x 1500mm x 3/4" Flat Faced Female Elbow - 13mm Bore
F	WH34FFSF2.013FFFE34	Braided S/S Water Hose 3/4" Flat Faced Swivel Female x 2000mm x 3/4" Flat Faced Female Elbow - 13mm Bore
F	WH34FFSF2.513FFFE34	Braided S/S Water Hose 3/4" Flat Faced Swivel Female x 2500mm x 3/4" Flat Faced Female Elbow - 13mm Bore
F	WH34FFSF1.219FFFE34	Braided S/S Water Hose 3/4" Flat Faced Swivel Female x 1200mm x 3/4" Flat Faced Female Elbow - 19mm Bore
F	WH34FFSF1.519FFFE34	Braided S/S Water Hose 3/4" Flat Faced Swivel Female x 1500mm x 3/4" Flat Faced Female Elbow - 19mm Bore



## White Foodgrade Aquavend Assemblies



Ref.	Part No.	Description
A	WHAP1.010	Aquavend Hose. 3/4" Plastic Str. Swivel Female x 1000mm x 3/4" Plastic Swivel Female Elbow - 10mm Bore
A	WHAP1.210	Aquavend Hose. 3/4" Plastic Str. Swivel Female x 1200mm x 3/4" Plastic Swivel Female Elbow - 10mm Bore
A	WHAP1.510	Aquavend Hose. 3/4" Plastic Str. Swivel Female x 1500mm x 3/4" Plastic Swivel Female Elbow - 10mm Bore
A	WHAP2.010	Aquavend Hose. 3/4" Plastic Str. Swivel Female x 2000mm x 3/4" Plastic Swivel Female Elbow - 10mm Bore

Ref.	Part No.	Description
B	WHAM1.010	Aquavend Hose. 3/4" Metal Flat Faced Swivel Female x 1000mm x 3/4" Metal Flat Faced Swivel Female Elbow - 10mm Bore
B	WHAM1.210	Aquavend Hose. 3/4" Metal Flat Faced Swivel Female x 1200mm x 3/4" Metal Flat Faced Swivel Female Elbow - 10mm Bore
B	WHAM1.510	Aquavend Hose. 3/4" Metal Flat Faced Swivel Female x 1500mm x 3/4" Metal Flat Faced Swivel Female Elbow - 10mm Bore
B	WHAM2.010	Aquavend Hose. 3/4" Metal Flat Faced Swivel Female x 2000mm x 3/4" Metal Flat Faced Swivel Female Elbow - 10mm Bore

Ref.	Part No.	Description
A	WHP1.012	Aquavend Hose. 3/4" Plastic Str. Swivel Female x 1000mm x 3/4" Plastic Swivel Female Elbow - 12mm Bore
A	WHP1.212	Aquavend Hose. 3/4" Plastic Str. Swivel Female x 1200mm x 3/4" Plastic Swivel Female Elbow - 12mm Bore
A	WHP1.512	Aquavend Hose. 3/4" Plastic Str. Swivel Female x 1500mm x 3/4" Plastic Swivel Female Elbow - 12mm Bore
A	WHP2.012	Aquavend Hose. 3/4" Plastic Str. Swivel Female x 2000mm x 3/4" Plastic Swivel Female Elbow - 12mm Bore

Ref.	Part No.	Description
B	WHAM1.012	Aquavend Hose. 3/4" Metal Flat Faced Swivel Female x 1000mm x 3/4" Metal Flat Faced Swivel Female Elbow - 12mm Bore
B	WHAM1.212	Aquavend Hose. 3/4" Metal Flat Faced Swivel Female x 1200mm x 3/4" Metal Flat Faced Swivel Female Elbow - 12mm Bore
B	WHAM1.512	Aquavend Hose. 3/4" Metal Flat Faced Swivel Female x 1500mm x 3/4" Metal Flat Faced Swivel Female Elbow - 12mm Bore
B	WHAM2.012	Aquavend Hose. 3/4" Metal Flat Faced Swivel Female x 2000mm x 3/4" Metal Flat Faced Swivel Female Elbow - 12mm Bore

# Gas Hoses



## Caterhose Gas Assemblies

Caterhose is a fully welded corrugated stainless steel hose assembly manufactured under rigorous controls to meet the requirements of gas supply for catering appliances, using 1st, 2nd and 3rd family gases.

Caterhose has been tested and certified by British Gas in accordance with BS669 Pt.2 1997.

The hose is supplied with a quick release valved coupler, which cuts off the supply of gas when disconnected. Caterhose assemblies, when installed with mobile catering appliances, allow easy access for cleaning in line with health and safety regulations regarding hygiene in food establishments.

Certified caterhose are manufactured in standard lengths of 1000mm with bore sizes of 1/2" and 3/4". 1" bore is also available. Alternate lengths are available to BS669 Pt.2 specification.

Caterhose assemblies are 100% pressure tested before despatch.

## With Bayonet Fitting

Part No.	Description
BGH12-1000	Yellow gas hose 1.00m x 1/2" BF
BGH12-1500	Yellow gas hose 1.50m x 1/2" BF
BGH12-2000	Yellow gas hose 2.00m x 1/2" BF

## Accessories

Part No.	Description
GH/RW	Yellow restraining wire to suit 1.00m hose
Saddle Clamp	Clamp for hose restraining wire

## Standard range

Part No.	Description
GH12-1000	Yellow gas hose 1.00m x 1/2" QC
GH12-1250	Yellow gas hose 1.25m x 1/2" QC
GH12-1500	Yellow gas hose 1.50m x 1/2" QC
GH12-2000	Yellow gas hose 2.00m x 1/2" QC
GH20-1000	Yellow gas hose 1.00m x 3/4" QC
GH20-1250	Yellow gas hose 1.25m x 3/4" QC
GH20-1500	Yellow gas hose 1.50m x 3/4" QC
GH25-2000	Yellow gas hose 2.00m x 1" QC
GH25-1000	Yellow gas hose 1.00m x 1" QC
GH25-1500	Yellow gas hose 1.50m x 1" QC

## Braided range

Part No.	Description
GH12-1000B	Yellow gas hose 1.00m x 1/2" QC
GH12-1500B	Yellow gas hose 1.50m x 1/2" QC
GH12-2000B	Yellow gas hose 2.00m x 1/2" QC
GH20-1000B	Yellow gas hose 1.00m x 3/4" QC
GH20-1500B	Yellow gas hose 1.50m x 3/4" QC



# Canopy Hood Accessories



# Canopy Hood Accessories

Cap Strip & Divider Bar	81
Caulking Gun	83
<hr/>	
Dividers	81
Drain, Canopy Hood	82
Duct Tape	84
<hr/>	
Filters, Stainless Steel	73-77
F51 Range	76-77
F70 Range	75
F91 Range	74
Foil Tape	84
<hr/>	
Grease Cups	82
<hr/>	
Hangers, Insulation	84
Lighting Fixtures	
Easy Mount Incandescent Canopy	80
Fluorescent Canopy Hood	78
Recessed Canopy Hood	79
<hr/>	
Sealant, Silicone	83
<hr/>	
Tape, Foil & Duct	84
<hr/>	

Please order by 4pm for next day delivery.  
Timed and special deliveries can also be arranged.

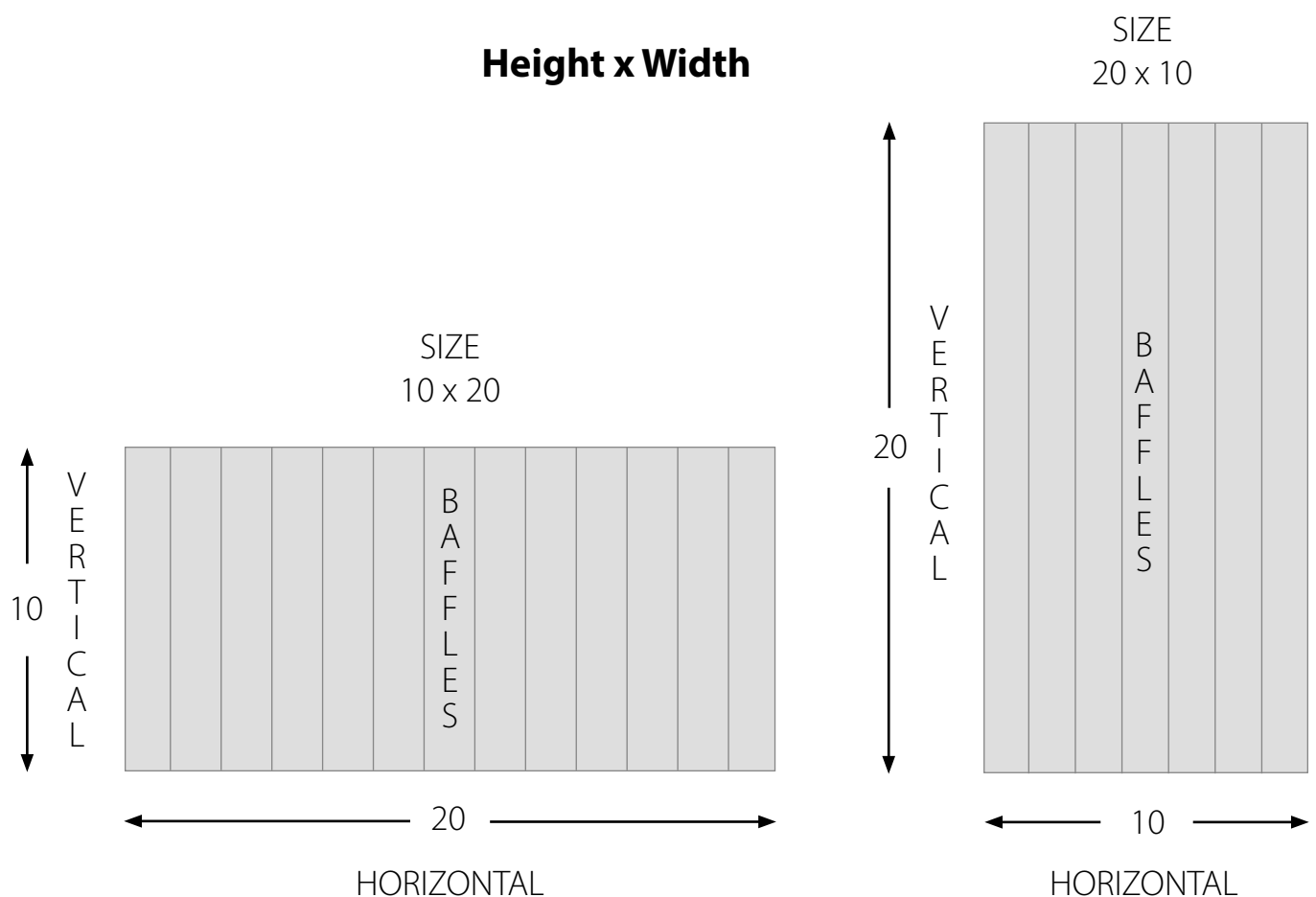
## Stainless Steel Baffle Grease Filters

Grease filters play a critical role in the overall safety and effectiveness of a kitchen exhaust system. Filters should be carefully selected to provide the correct volume of air through the ventilator, which is determined by the size of hood, the cooking equipment under it and state or local code requirements. There are many manufacturers of grease filters but not all filters have UL Listing. For ultimate safety of the exhaust system and to minimize liability issues, be sure that the filters that you select are UL Listed. This ensures that they meet NFPA standards.

Working in connection with the surface fire suppression system, grease filters provide a strong defence against catastrophic duct system fires. Filters are designed to remove most of the grease from the airstream before it enters the ductwork. The grease runs off the baffles into a collection device where it can be easily removed. Selecting the proper number of the correct size filters is most important to ensure that the balance of the exhaust system will not be compromised and that all of the exhaust air passes through the filters before entering the ductwork.

### How To Order Grease Filters From Die-Pat

Filters MUST be installed with baffles running in the vertical (top to bottom) position so the grease will run down the baffles to the grease trough in the hood. Standard sizes are ordered with the VERTICAL (top to bottom) dimension first, then the HORIZONTAL (left to right) dimension.



## F91 Range

- Stainless steel baffle filters.



Part No.	Actual Size (H x W x D mm)	Weight (kg)	Nominal Sizes
F911020/P/430/01	430 polished 245 x 495 x 48	1.1	10" x 20"
F911616/P/430/01	430 polished 395 x 395 x 48	1.35	16" x 16"
F911620/P/430/01	430 polished 395 x 495 x 48	1.7	16" x 20"
F911818/P/430/01	430 polished 445 x 445 x 48	1.5	18" x 18"
F912016/P/430/01	430 polished 495 x 395 x 48	1.7	20" x 16"
F912020/P/430/01	430 polished 495 x 495 x 48	1.8	20" x 20"

### Tolerances

H + W = +/- 2mm  
D = +/- 0.5mm

### Specifications

- Frame with handles and drainage holes
- Suitable for all commercial applications
- Boxed quantity 6
- Strong construction
- Polished finish
- Easily cleaned by soaking or dishwasher

## F70 Range

- Stainless steel
- Polished finish
- Tested to DIN Standard 18869-5
- Comply with the DW172 standard
- Airflow characteristics available



Part No.	Actual Size (H x W x D mm)	Weight (kg)	Nominal Sizes	Boxed Qty.
F701616/P/430	430 Polished finish 395 x 395 x 48	2.5	16" x 16"	6
F701620/P/430	430 Polished finish 395 x 495 x 48	2.385	16" x 20"	6
F701818/P/430	430 Polished finish 445 x 445 x 48	2.45	18" x 18"	6
F702020/P/430	430 Polished finish 495 x 495 x 48	2.875	20" x 20"	6

## F51 Range

- Our F51 baffle grease filters offer optimal performance. The unique rounded baffle design maximises grease impingement and facilitates cleaning



Part No.	Nominal Size - H x W	Actual Size - H x W x D	Weight Per Filter
F511016	10" x 16" (254mm x 406mm)	9-5/8" x 15-3/4" x 1-3/4"	2.6 lbs (1.2kg)
F511020	10" x 20" (254mm x 508mm)	9-5/8" x 19-5/8" x 1-3/4"	3.2 lbs (1.5kg)
F511216	12" x 16" (305mm x 406mm)	11-5/8" x 15-3/4" x 1-3/4"	3.0 lbs (1.4kg)
F511220	12" x 20" (305mm x 508mm)	11-5/8" x 19-5/8" x 1-3/4"	3.6 lbs (1.7kg)
F511616	16" x 16" (406mm x 406mm)	15-3/4" x 15-3/4" x 1-3/4"	3.8 lbs (1.8kg)
F511620	16" x 20" (406mm x 508mm)	15-3/4" x 19-5/8" x 1-3/4"	4.5 lbs (2.1kg)
F511625	16" x 25" (406mm x 635mm)	15-3/4" x 24-5/8" x 1-3/4"	5.6 lbs (2.6kg)
F512016	20" x 16" (508mm x 406mm)	19-5/8" x 15-3/4" x 1-3/4"	4.6 lbs (2.1kg)
F512020	20" x 20" (508mm x 508mm)	19-5/8" x 19-5/8" x 1-3/4"	5.5 lbs (2.5kg)
F512025	20" x 25" (508mm x 635mm)	19-5/8" x 24-5/8" x 1-3/4"	6.7 lbs (3.1kg)
F512516	25" x 16" (635mm x 406mm)	24-5/8" x 15-3/4" x 1-3/4"	5.7 lbs (2.6kg)
F512520	25" x 20" (635mm x 508mm)	24-5/8" x 19-5/8" x 1-3/4"	6.8 lbs (3.1kg)

### Specifications

- Specifically designed for commercial cooking hoods
- Low static pressure ensures quiet operation
- Safe, dependable flame barrier protection
- Self-balancing airflow throughout the entire length of one hood
- Bail handles standard for easy installation/removal
- NSF and UL listed
- Comply with the DW172 standard



# Airflow Characteristics – F51 Range



		inches of water											
		10x16	10x20	12x16	12x20	20x16	16x20	16x25	20x16	20x20	20x25	25x16	25x20
cfm air	200	0,32	0,16	0,21	0,11	0,12	0,06	0,04	0,07	0,04	0,05	0,04	0,02
	250	0,48	0,25	0,33	0,17	0,18	0,09	0,06	0,11	0,06	0,09	0,07	0,04
	300	0,70	0,35	0,47	0,25	0,26	0,13	0,09	0,16	0,09	0,12	0,10	0,06
	350	0,93	0,48	0,64	0,34	0,35	0,18	0,12	0,21	0,12	0,17	0,14	0,08
	400	1,22	0,62	0,83	0,44	0,46	0,24	0,16	0,28	0,16	0,22	0,18	0,10
	450	1,55	0,79	1,05	0,56	0,58	0,30	0,20	0,35	0,20	0,28	0,23	0,13
	500	1,90	0,97	1,29	0,69	0,71	0,37	0,25	0,44	0,25	0,35	0,28	0,16
	550	2,31	1,17	1,57	0,83	0,86	0,45	0,30	0,52	0,30	0,42	0,34	0,19
	600	2,73	1,40	1,85	0,99	1,02	0,53	0,36	0,61	0,35	0,50	0,40	0,22
	650	3,22	1,64	2,20	1,16	1,20	0,62	0,42	0,71	0,41	0,59	0,47	0,25
	700	3,76	1,92	2,53	1,35	1,39	0,72	0,49	0,81	0,47	0,68	0,55	0,29
	750	4,31	2,19	2,92	1,56	1,61	0,84	0,56	0,93	0,55	0,78	0,63	0,34
	800	4,90	2,50	3,39	1,80	1,82	0,96	0,64	1,10	0,63	0,90	0,72	0,38
	850	5,52	2,82	3,86	2,00	2,07	1,06	0,71	1,22	0,71	1,00	0,80	0,43
900	6,20	3,13	4,31	2,24	2,28	1,18	0,79	1,39	0,79	1,15	0,89	0,48	
950	6,84	3,50	4,78	2,48	2,52	1,29	0,88	1,52	0,90	1,27	0,99	0,53	
1000	7,58	3,88	5,31	2,75	2,81	1,42	0,98	1,69	0,98	1,40	1,10	0,59	
Conversion CFM to M3/h		1,69901											
		Conversion inches of water to PA											
		249,082											
		Static pressure in PA											
Approx inch size		10x16	10x20	12x16	12x20	20x16	16x20	16x25	20x16	20x20	20x25	25x16	25x20
approx mm size		254 x 406	254 x 508	304 x 406	304 x 508	508 x 406	406 x 508	406 x 635	508 x 406	508 x 508	508 x 635	635 x 406	635 x 508
Approx M3/h	340	79	39	52	27	29	14	9	17	9	12	9	4
	425	119	62	82	42	44	22	14	27	14	22	17	9
	510	174	87	117	62	64	32	22	39	22	29	24	14
	595	231	119	159	84	87	44	29	52	29	42	34	19
	680	303	154	206	109	114	59	39	69	39	54	44	24
	765	386	196	261	139	144	74	49	87	49	69	57	32
	850	473	241	321	171	176	92	62	109	62	87	69	39
	935	575	291	391	206	214	112	74	129	74	104	84	47
	1020	679	348	460	246	254	132	89	151	87	124	99	54
	1105	802	408	547	288	298	154	104	176	102	146	117	62
	1190	936	478	630	336	346	179	122	201	117	169	136	72
	1275	1073	545	727	388	401	209	139	231	136	194	156	84
	1360	1220	622	844	448	453	239	159	273	156	224	179	94
	1445	1374	702	961	498	515	264	176	303	176	249	199	107
1530	1544	779	1073	557	567	293	196	346	196	286	221	119	
1615	1703	871	1190	617	627	321	219	378	224	316	246	132	
1700	1888	966	1322	684	699	353	244	420	244	348	273	146	
ALL TESTS CONDUCTED BY RTI INTERNATIONAL TO AMCA STANDARD 500-89													

Canopy Hood Accessories

# Fluorescent Canopy Hood Light Fixtures

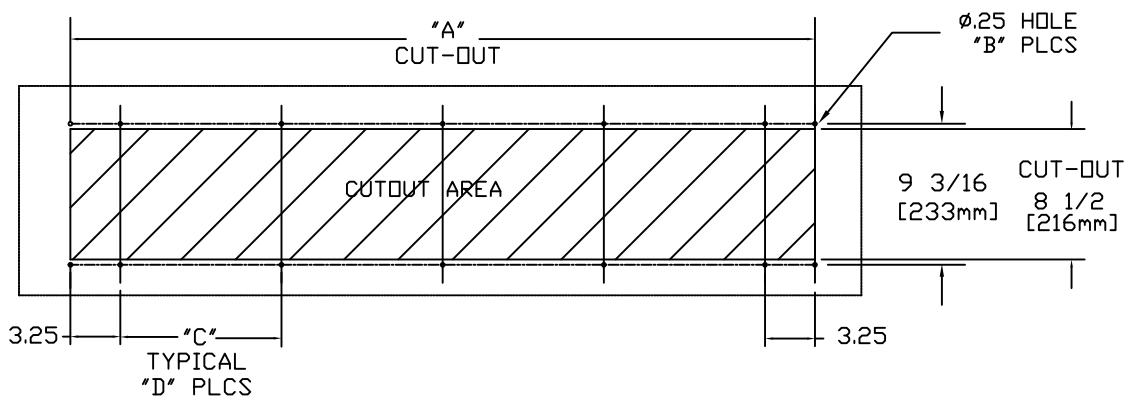
- Recessed fluorescent – low profile
- For use in commercial cooking hoods
- Listed to 75°C (167°F)
- Only 4-1/2" (114mm) high – for limited overhead clearance applications
- Tempered prismatic glass diffuser with one piece of satin finished stainless steel face frame to match hood interior
- Tubes also available separately



## Specifications

- Ballast: T8 Fluorescent lamps (not furnished)
- Lamps: Steel with baked white enamel finish
- Body: #10-32 x 3/4" (19mm) long threaded studs on 2ft model
- Mounting: Baked white enamel finish providing a minimum of 87% diffused reflection
- Reflector: Crystal 73 tempered prismatic glass with prisms on inside of fixture, mounted into a stainless steel face frame with special sealing gasketing.
- Diffuser: Secured to fixture body with stainless steel screws for easy servicing.

Part No.	Overall Trim Size	Cut-Out Size	Holes Req.	Dim.
L821020/WT	10-1/4" x 26-1/4" (260mm x 667mm)	8-1/2" x 24-1/2" (216mm x 622mm)	12	6" (152mm)
L821030/WT	10-1/4" x 38-1/4" (260mm x 972mm)	8-1/2" x 36-1/2" (216mm x 927mm)	14	7-1/2" (191)
L821040/WT	10-1/4" x 50-1/4" (260mm x 1276mm)	8-1/2" x 48-1/2" (216mm x 1232mm)	14	10-1/2" (267mm)



# Recessed Canopy Hood Light Fixture

- For use in commercial cooking hoods
- Tempered, prismatic glass diffuser
- Satin finished stainless steel faceplate to match hood interiors

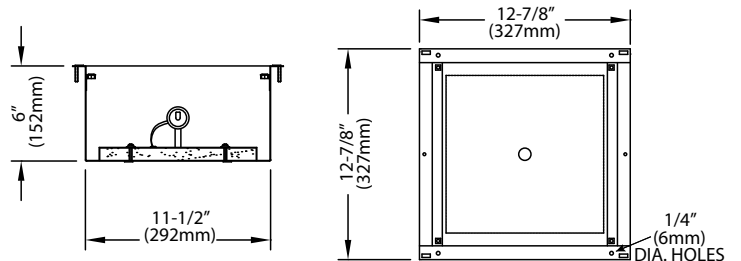


## Specifications

- Socket: Side mounted porcelain medium base
- Wattage: Accepts standard Edison base bulb (not furnished)
- Voltage: Rated up to 120 volts
- Diffuser: Crystal 73 tempered prismatic glass with prisms on inside of fixture
- Faceplate: One piece, stainless steel with smooth satin finish
- Wiring: Connections to socket are made in the interior removable thermal insulated wiring chamber
- Lockup: (4) captive stainless steel screws
- Retainer: Twin spring and cable for faceplate and frame
- Reflector: Die formed aluminum with satin finish
- Body: Steel recessed housing with baked white enamel finish
- Mounting: (4) #10-24 x 3/4" (19mm) long threaded studs
- 150 watt bulb

Canopy Hood Accessories

Part No.	Size
L871004	340mm x 340mm



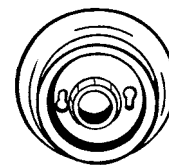
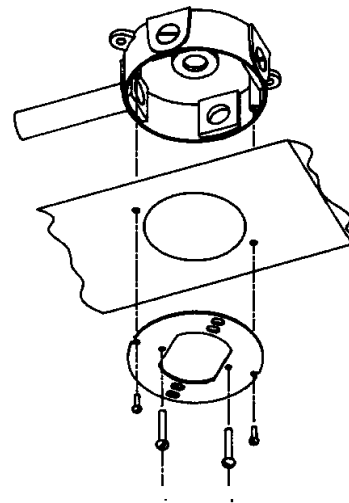
# Easy Mount Incandescent Canopy Lighting Fixtures

- Tuff Skin coating eliminates hot spot browning and discolouration of globe
- Prevents glass shatter from impact, dropping, unusual stresses and thermal shock
- Scratch resistant
- Improves light source by providing better diffusion
- Easy and quick to install
- Permanently affixed gaskets cut installation time
- Greaseproof, waterproof and heatproof construction



## Specifications

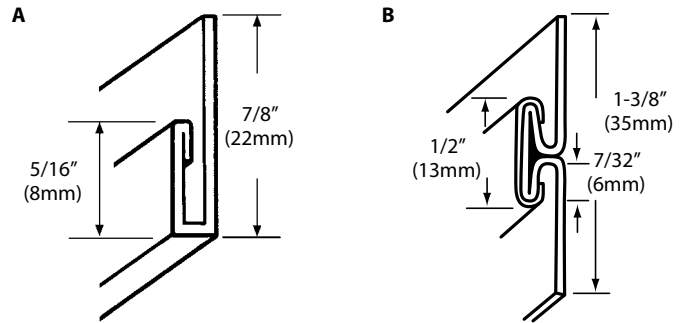
- Fixture Body: Die-cast aluminum with brushed finish
- Socket: Porcelain body with copper shell
- Wire Leads: 16 awg, 6" (152mm) long
- Ground Lead: 6" (152mm) long green coloured 18 awg wire
- Wattage: Accepts standard 100 watt A19 bulb (not furnished)
- Voltage: Rated up to 120 volts
- Gaskets: Silicone
- Overall Size: 5-1/2" (140mm) diameter and 8-33/4" (222mm) long with wire guard
- Junction Box: Not furnished. Fixture is designed to accept any standard 3-1/2" (89mm) or 4" (102mm) junction box



Part No.	Description
L501004	Furnished with Tuff-Skin coating, thermal and shock resistant tempered glass globe
L501024	Furnished with Tuff-Skin coating, thermal and shock resistant tempered glass globe, includes wire guard
L55X066	Screw

## Mouldings & Dividers

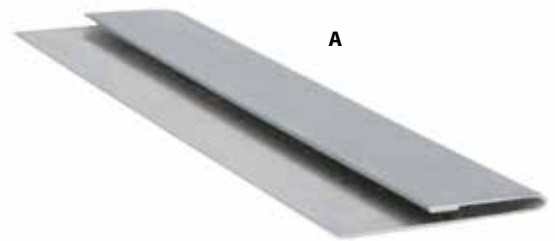
- All stainless steel construction
- Accepts 1/16" (1.6mm) wall flashing material
- Satin finish
- Individually plastic sleeved for protection of finish
- Cap strip has hemmed edge for safety
- Designed specifically for stainless steel joining



### Stainless Steel Cap Strip for 1.5mm (1/16") Bright Finish

**Part No. Length**

J631451-8 2440mm (8ft)

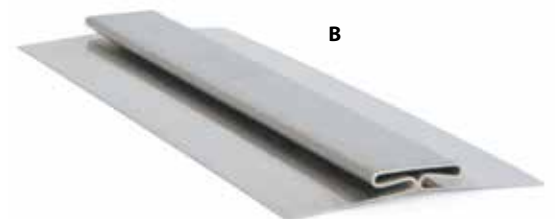


Canopy Hood  
Accessories

### Stainless Steel Divider Bar w/Galvanised Back Plate for 1/16" (1.6mm) Bright Finish

**Part No. Length**

J641450-8 2440mm (8ft)



# Grease Cups

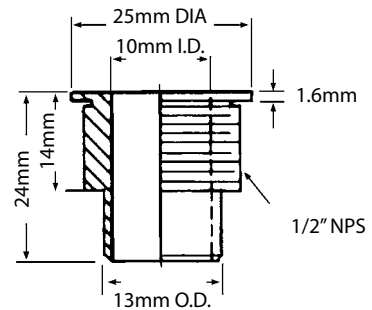
## Removable Stainless Steel Canopy Hood Grease Cups



Ref.	Part No.	Description	Size: Width x Length x Depth mm
A	F154000	Keyhole Mount Cup	102 x 168 x 102
B	TG19065	Side Mount Cup	108 x 171 x 64
C	F152500	Keyhole Mount Cup	102 x 171 x 64

## Nickel Plated Brass Canopy Hood Drain

- Designed for draining grease from trough to grease cup
- Supplied with locknut and washer
- Fits 1/2"(13mm) I.D hose or 3/8" (9.5mm) O.D tubing



Part No.	Description
F101187	Nickel plated brass canopy hood drain

## Silicone Sealant



- 305ml
- Available in clear, bright aluminum, white, black and red (hi-temp)
- Fits all standard caulking guns
- Furnished with removal tip
- Food service approved



Part No.	Colour	Max Service	Boxed Quantity
M901010	Clear	200°C	12 tubes
M901012	Aluminum	200°C	12 tubes
M901014	White	200°C	12 tubes
M901016	Black	200°C	12 tubes
M901018	Hi Temp Red	260°C	12 tubes

Canopy Hood  
Accessories

## Caulking Gun M90CG

- Mild steel plated
- Ratchet operated for continuous flow
- Fits all standard silicone tubes
- Nozzle cutter



## Foil & Duct Tape

- Ideal for sealing seams and joints



Ref.	Part No.	Type	Size
A	Q843200	Heavy duty duct tape	51mm x 55m (2" x 60yds)
B	Q844250	Hi-strength aluminum foil tape	64mm x 46m (2-1/2" x 50yds)

## Insulation Hangers

- Provided with peel and place adhesive backing
- Annealed copper coated steel nails
- Eliminates the need for capacitor discharge nails
- Supplied with galvanised retaining plate

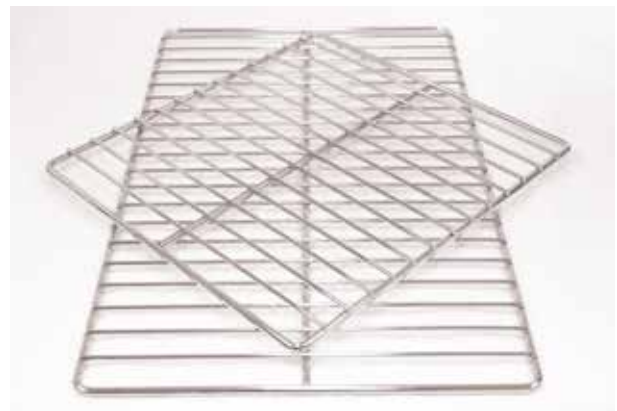


Part No.	Hanger Length
Q86-1000	1" (25mm)





# Refrigeration Components



# Refrigeration Components

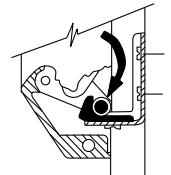
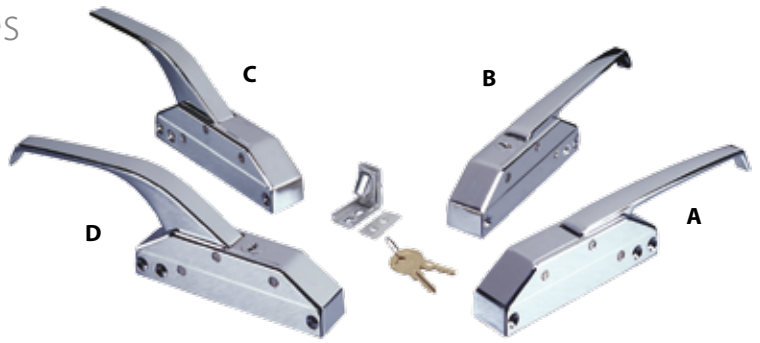
Caulking Gun, Thermal Mastic	97	Magnetic Gasket Kits	98
Evaporator Trays	95	Magnetic Latches	88-90
Hinges	91-108	Compact Ceramic	90
for Cold Storage	105-109	w/Floating Magnet	88
Lift-Off/Self-Closing	93	Heavy Duty w/Breaker Action	89
Non-Rise Adjustable High Temp.	94	Mechanical Edge-Mount Latches	87-88
Non-Rise Adjustable Refrigeration	91	Pilaster	96
for Refrigerators	99, 110, 112	Pop Rivet Type Key Hole Support	96
Standard Duty	92	Refrigeration Gaskets	98
for Walk-In Coolers	102	Magnetic Kits	98
Inside Safety Releases	101	Shelf Supports	96
Latch Assembly	95	Silicone Sealer	102
Latches	88-105	Thermal Mastic Heat Transfer Compound	97
for Cold Storage	100-101	Wire Shelves	97
for Heated Appliances	94, 103-105		
Magnetic	88-90		
Mechanical	87-88,90		
Oven	94		
for Refrigerators	110-112		
for Walk-In Coolers	99-101		
for Outdoor Application	101		

Please order by 4pm for next day delivery.  
Timed and special deliveries can also be arranged.

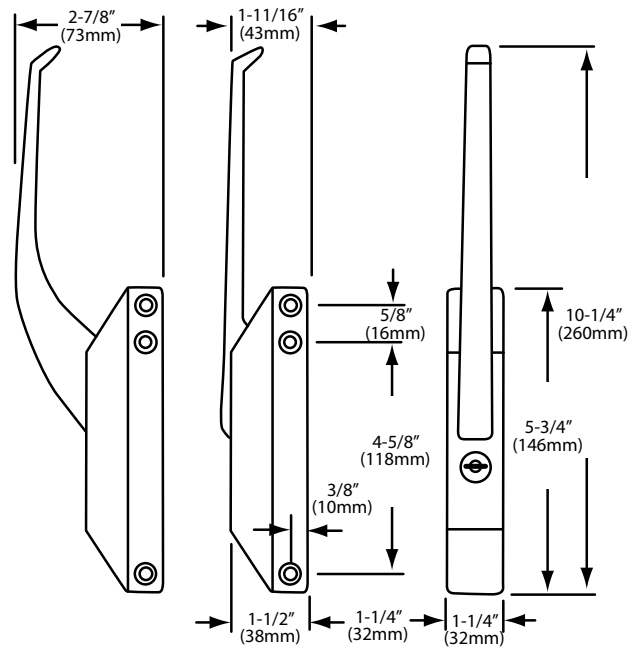
# Mechanical Edge-Mount Latches With Positive Pressure Seal

## Edge-Mount Latches – R35 Series

- Mounting holes locations are interchangeable with competitors' latches
- Unique keeper prevents the door from being overridden
- Serrated striker plate permits quick adjustment to compensate for door sag
- Polished brass and polished chrome plated finishes
- Available in straight and offset models
- Cylinder lock and non-cylinder models
- Heavy-duty rugged construction
- Adjustable for right or left hand use



POSITIVE PRESSURE SEAL CROSS SECTION DETAIL



### Chrome-plated

Ref.	Part No.	Description
A	R351105	Straight handle no cylinder lock
B	R351105C	Straight handle with cylinder lock
C	R351105X	Offset handle no cylinder lock
D	R351105XC	Offset handle with cylinder lock

### Specifications

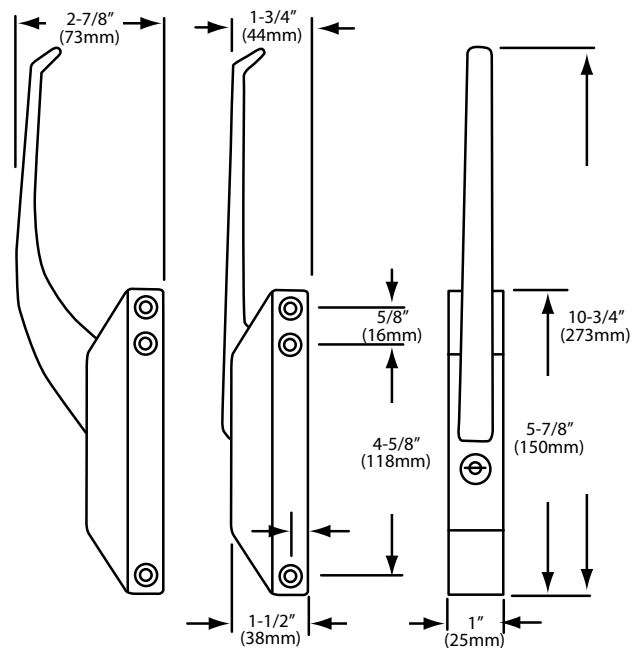
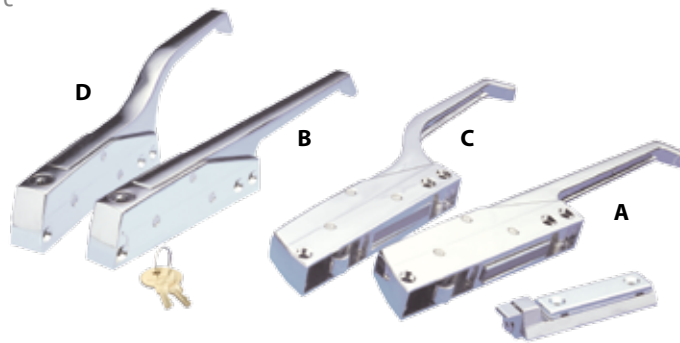
- Case, handle & strike: High pressure die cast zinc
- Strike plate: Plated steel
- Finish: Polished chrome or polished brass
- Drilled and countersunk for #10 screws

Note: Keys are available separately use Part No. P300802. Strike only use Part No. R35Y001.

# Magnetic / Mechanical Edge-Mount Latches With Floating Magnet

## Edge-Mount Latches – R24 Series

- Unique dual design offers both mechanical latching and magnetic force to provide positive seal and eliminate door bounce back
- Unique four position solid one piece strike bracket and full floating magnet design ensures positive magnetic attraction at every adjustment
- Heavy-duty rugged construction
- Reversible for right and left hand use
- Cylinder and non-cylinder models
- Polished chrome plated finishes
- Mounting hole locations are interchangeable with competitors' latches



*Chrome-plated*

Ref.	Part No.	Description
A	R249175	Straight handle no cylinder lock
B	R249175C	Straight handle with cylinder lock
C	R249175X	Offset handle no cylinder lock
D	R249175XC	Offset handle with cylinder lock

### Specifications

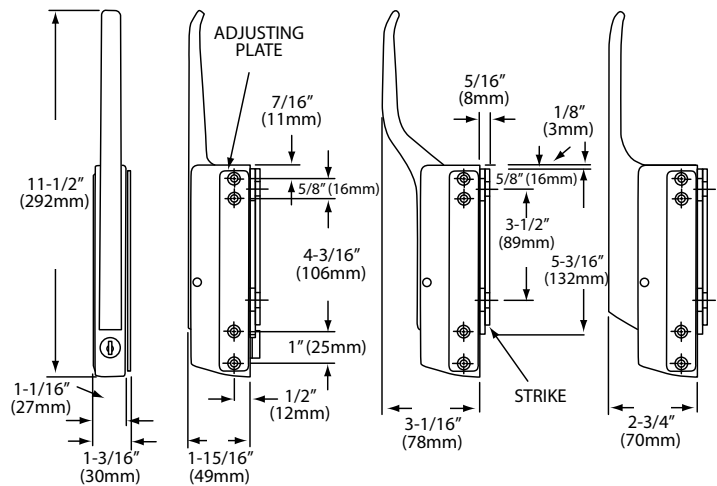
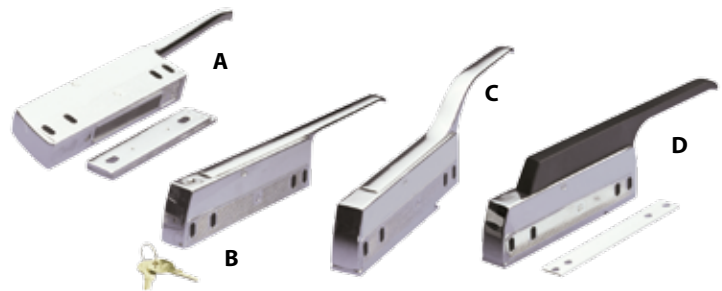
- Case, handle & strike: High pressure die cast zinc
- Strike plate: Zinc plated steel
- Finish: Chrome plated
- Drilled and countersunk for #10 screws

Note: Keys are available separately use Part No. P300802. Strike only use Part No. R24Y001.

# Heavy Duty Magnetic Edge-Mount Latches With Breaker Action

## Edge-Mount Latches – R25 Series

- Heavy duty magnetic action provides positive and effective seal and eliminates door bounce back
- Unique breaker action eliminates powerful magnetic seal while allowing easy opening
- Serrated striker plate permits quick adjustment to compensate for door sag
- Reversible for right and left hand use
- Cylinder and non-cylinder models
- Chrome plated finish
- Extra heavy duty rugged construction
- Mounting holes are interchangeable with competitors latches



Ref.	Part No.	Description
A	R251700NC	Straight handle no cylinder lock
B	R251700C	Straight handle with cylinder lock
C	R251700XNC	Offset handle no cylinder lock
	R251700XC	Offset handle with cylinder lock
	R251700TL	Straight handle with thumb lock
D	R252700XNC	Offset handle black plastic no cylinder lock
	R252700XC	Offset handle black plastic with cylinder lock
D	R252750XNC	Offset handle black plastic no cylinder lock with ceramic magnet
	R252750XTL	Offset handle black plastic with thumb lock with ceramic magnet

### Specifications

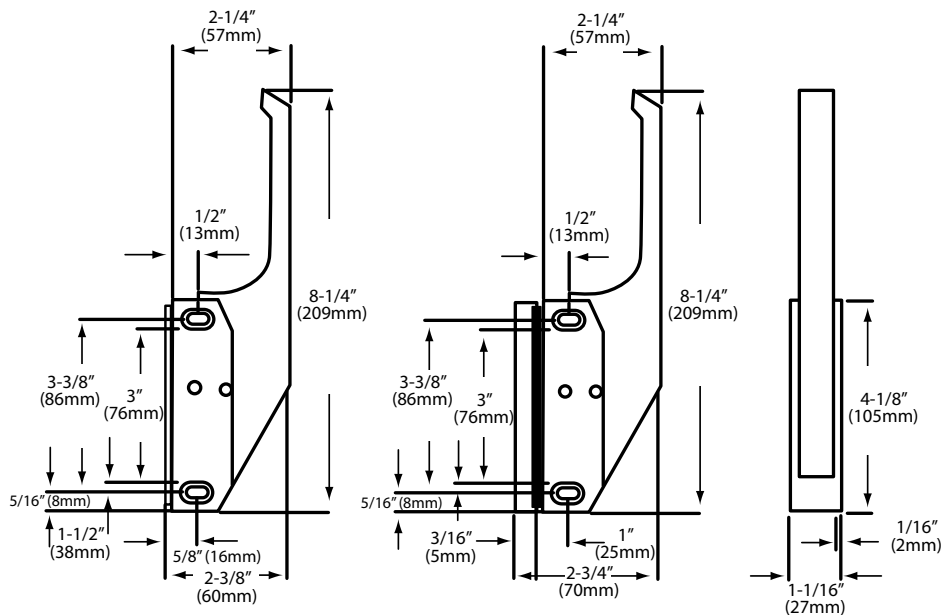
- Case & handle: Extra heavy-duty die cast metal
- Finish: Chrome plated
- Strike plate: Heavy gauge plated steel
- Drilled and countersunk for #10 screws

# Compact Ceramic Magnetic Edge-Mount Latch

- Specifically for heated cabinets, ovens and refrigerators
- Compact design for special applications
- Heavy duty insulated offset handles
- Breaker action for easy door opening
- Powerful heat resistant ceramic magnet
- Stainless steel mechanical parts and plates
- Snap in hole plugs for concealed housing
- Contemporary style black and chrome
- Reversible action



Part No. R271010X



LATCH SHOWN WITH SUGGESTED STRIKE HOUSING FOR HEATED APPLICATION

LATCH SHOWN WITH SUGGESTED STRIKE HOUSING FOR REFRIGERATED APPLICATION

## Specifications

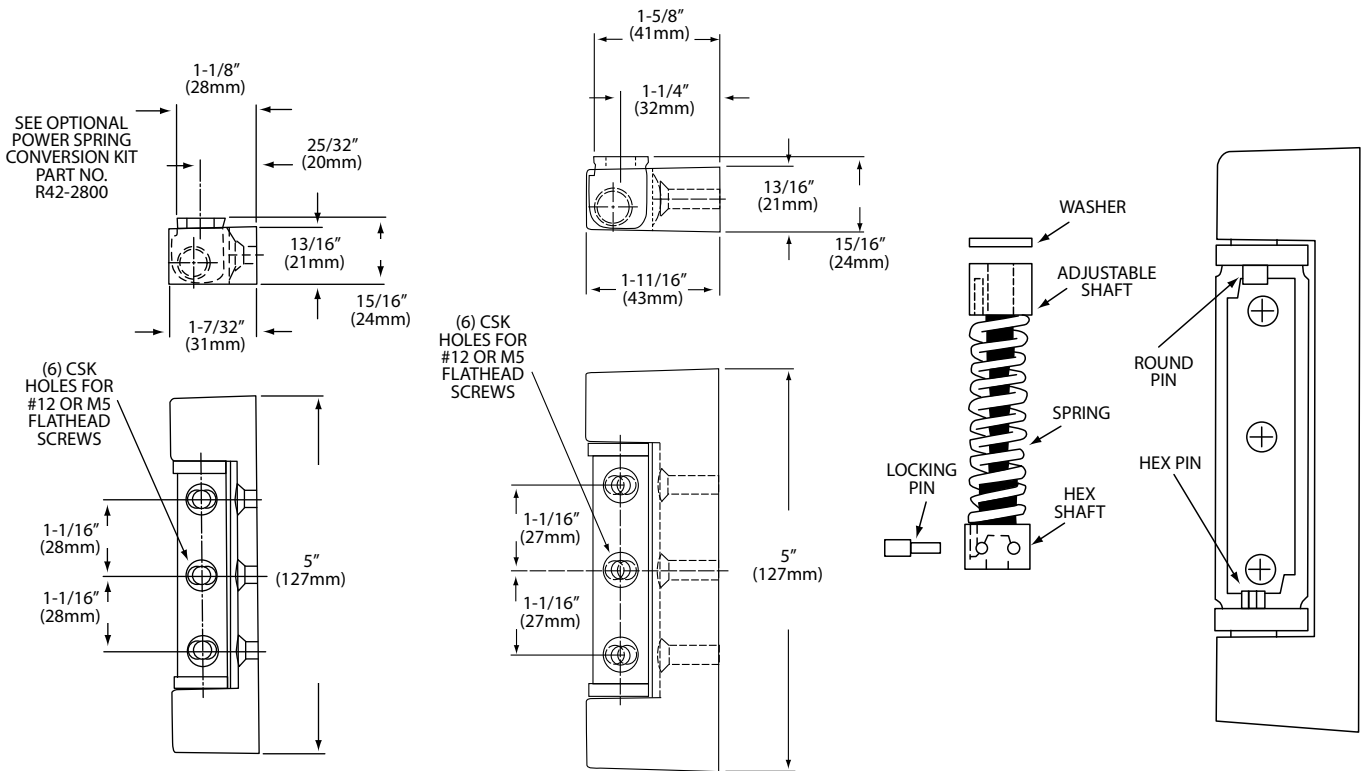
- Case: Extra heavy-duty die cast metal
- Finish: Chrome plated
- Handle: Fibreglass reinforced thermoplastic
- Strike: Stainless steel
- Strike housing: Die cast zinc
- Internal components: Stainless steel
- Each R271010X Edge-Mount latch is supplied with strike assemblies with both heated and refrigerated applications
- Stainless steel plated strike
- Stainless steel spacer
- Die cast zinc housing\*
- Silicone gasket

\* For refrigeration application only.

# Non-Rise Adjustable Refrigeration Edge-Mount Hinges



- Ideal for reach-in refrigerators and under-bar equipment
- Non-rise function allows for easy swing doors without concern for door rise
- Serrated adjusting plate allows for quick and easy door adjustment to compensate for door sag
- Universal mounting brackets allow for either left or right hand operation
- Mounting holes are interchangeable with competitor's hinges
- Accepts power spring conversion kit
- Chrome plated contemporary styling
- Solid zinc die cast construction



Part No. R422842

Part No. R422844

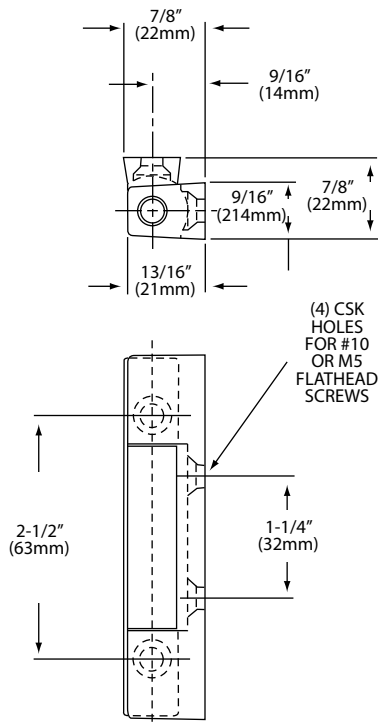
Part No. R422800

Part No.	Description
R422842	Chrome plated. 1-1/8" (28mm) offset
R422844	Chrome plated. 1-5/8" (41mm) offset
R422800	Power spring conversion kit

Refrigeration Components

# Standard Duty Edge-Mount Hinges

- Easy to mount
- High pressure die cast zamak
- Polished chrome plated finish
- Non-rise function allows for quick and easy door adjustment to compensate for door sag
- Celcon self-lubricating bushings provide smooth, quiet action
- Non-handed for right and left hand operation
- Contemporary styling



**Part No.** R201020

Part No.	Description
R201020	Chrome plated. 7-8" (22mm) offset



# Lift-Off / Self-Closing Edge-Mount Hinges

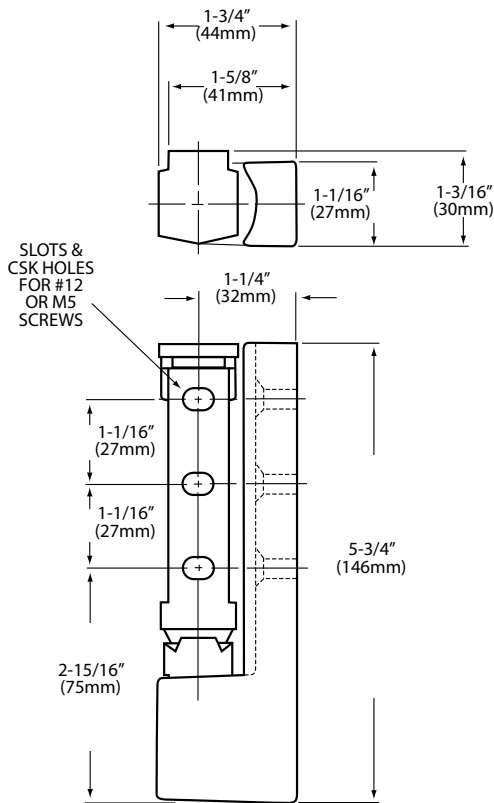
- Ideal for reach-in refrigerators and doors equipped with magnetic gasket
- Contemporary styling
- Polished chrome plated zamak
- High pressure die cast zamak
- Hold open position – cam allows door to remain in hold open position and remain open at 90°
- Non-handed for right and left hand operation
- Adjustable to compensate for gasket ware
- Polished chrome finish
- Overclose feature – provides constant door pressure and full gasket seal



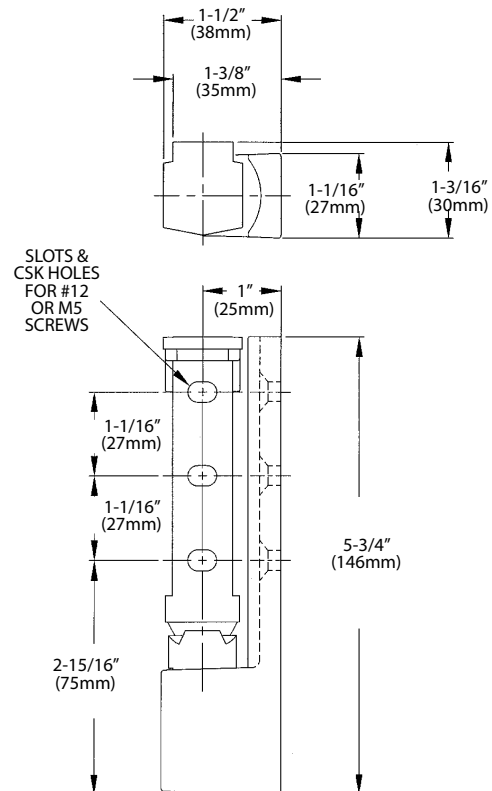
Part No. R451010

Part No. R502850

Part No. R502850-SPO



Part No. R502850



Part No. R502850-SPO

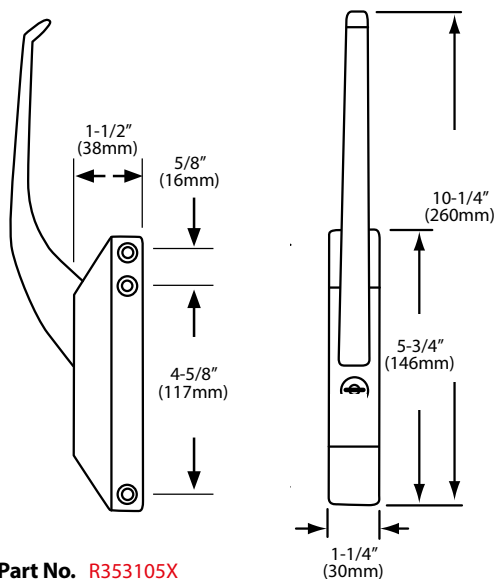
Part No.	Description
R451010	1-3/16" (30mm) offset
R502850	1-5/8" (41mm) offset
R502850-SPO	1-3/8" (35mm) offset

Please note: R45 hinges are furnished with an adjusting plate for up to 3/16" (5mm) adjustment drill and countersunk for #10 screws. R50 hinges are furnished with an adjusting plate for up to 3/16" (5mm) adjustment drill and countersunk for #12 screws.

# Oven Latches & Hinges

## Single Action Edge-Mount Latch

- Single action design for oven use
- Furnished with heat resistant bronze roller and insulated handle



Part No. **R353105X**



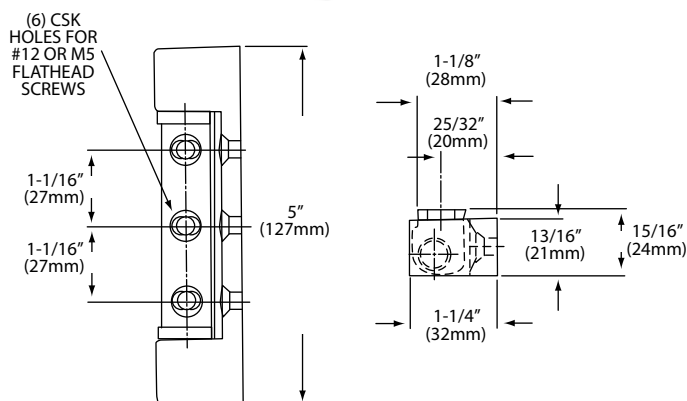
SINGLE ACTION  
FEATURES POSITIVE  
PRESSURE SEAL

### Specifications

- Case & handle: Die cast metal
- Strike plate: Plated steel
- Finish: Chrome plate drilled and countersunk for #10 screws

## Non-Rise / Adjustable High Temperature Hinge

- Solid brass forged construction specifically designed for high temperature use on cabinetry and ovens where surface temperature is a concern
- Mounting holes are interchangeable with competitor's hinges
- Non-rise function allows for easy door swing without concern for door rise
- Serrated adjusting plate permits quick and easy adjustment to compensate for door sag
- Chrome plated contemporary styling

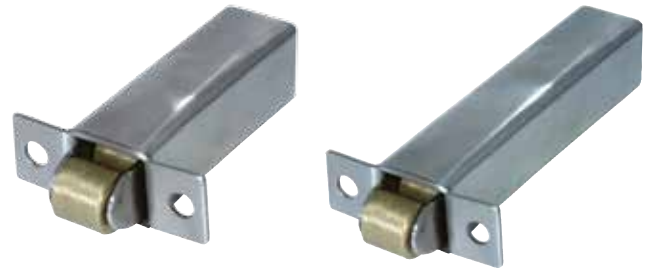


Part No.	Description
<b>R422843</b>	1-1/8" (28mm) offset

Please note: Optional power spring conversion kit (Part No. **R422800**) – see page 90.

## Latch Assembly

- Spring loaded to positively hold door closed
- Liquid tight-welded construction
- Life cycle tested for over 50,000 cycles
- Long life brass alloy rollers
- Stable two roller design
- Non magnet-positive mechanical
- Stainless steel housing
- Pre-set tension – no adjustment required
- Can be mounted in door frame or door in any orientation
- Continuous operating temperature: 400°F
- Maximum temperature: 600°F



Part No.	Description
----------	-------------

M235000	3-1/2" (89mm)
M234000	1-1/2" (38mm)

## UL-PTC Evapmatic Condensate Evaporators

- Heater pad with PTC resistor wire conserves energy by self-regulating the wattage required to burn off condensate in the pan
- Die cast aluminium construction
- 50oz (1500ml) capacity
- Removable cordsets with moulded plugs



Part No.	Wattage	Voltage	Capacity	Evaporator rate/hour
T120372	160	220	50oz (1500ml)	4-5oz (120-150ml)
T125200	300	220	50oz (1500ml)	7-8oz (210-240ml)

### Specifications

- Volume: 50 fluid ounces (1500ml)
- O.A. size: 4-3/4" x 12-1/2" x 2-3/4" (120mm x 317mm x 70mm)
- Pan: Die cast aluminum
- Cordset: On T120372 fixed. On the T125200 18" (457mm) long removable
- Legs: Wire spring type

## Non-Thermostatic Evaporator Tray

Part No.	Wattage	Voltage	Capacity	Evaporator rate/hour
Z189	320	220	75oz	14oz (210ml)

### Specifications

- Volume: 50 fluid ounces (1500ml)
- O.A. size: 4-3/4" x 12-1/2" x 2-3/4" (120mm x 317mm x 70mm)
- Pan: Die cast aluminum
- Cordset: Fixed
- Legs: Wire spring type

# Pilaster & Shelf Supports

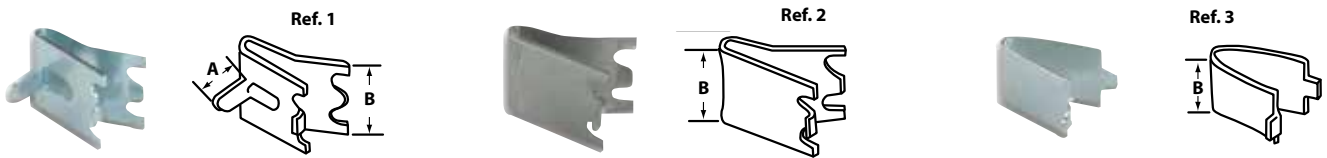
## Conventional Type Pilaster



Aluminium Part No.	Stainless Steel Part No.	Description
T220048	T221048	48" (1219mm)
T220072	T221072	72" (1828mm)

Note: Special lengths available upon application. Shelf slots are 1/2" adjustment. Countersunk mounting holes equally spaced on 6" centres and will accept #4 flat head screws or standard pop-rivets.

## Snap-In Shelf Supports



Ref.	Part No.	Material	"A" Tab Height	"B" Clip Width
1	T305130/01	Stainless steel	7/16" (11mm)	7/8" (22mm)
1	T305131	Zinc plated	7/16" (11mm)	7/8" (22mm)
2	T305030/02	Stainless steel	-	7/8" (22mm)
2	T305031	Zinc plated	-	7/8" (22mm)
3	T305032	Stainless steel	-	5/8" (16mm)

## Pop Rivet Type Key Hole Support

• Brass nickel plated material use with 1/8" dia. x 1/2" (3mm x 13mm) long rivets

Part No.	Length
T341010	3mm dia. x 13mm long

## Thermal Mastic Heat Transfer Compound

- Replaces solder for heat transmission
- Stable at all working temperatures
- Does not harden or lose adhesion at -50°F (-45°C)
- Flash point 450°F (232°C)
- Thermal mastic can be used wherever rapid transmission is desired between coils and liners, between liquid and suction line heat exchangers



### Thermal Mastic Caulking Gun

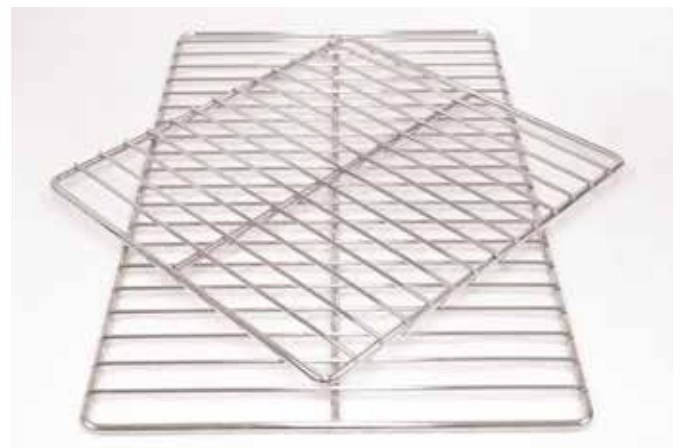
- Mild steel plated pressed steel design
- Handle acts as ratchet as well as nozzle cutter
- Swivel pin to clear out debris in dispensing nozzle
- Ratchet feature allows continuous flow
- Fits all standard silicone tubes

Part No.	Description
Q771000	10.3oz (305ml) tube cartridge
Q771240	1 US gallon (3.7 litre) container

Part No.	Description
M90CG	Thermal mastic caulker

## Wire Shelves

- Standard and custom made wire shelves
- Stainless steel
- Chrome plated mild steel
- Epoxy coated

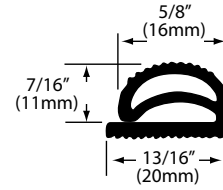


Part No.	Description	Size
GR11A1	1/1 Gastronorm sized stainless steel wire shelf	530 x 325 mm
GR21A1	Gastronorm sized stainless steel wire shelf	650 x 530 mm

Call our sales team on +44 (0)1327 311144 to discuss your custom order.

# Refrigeration Gaskets

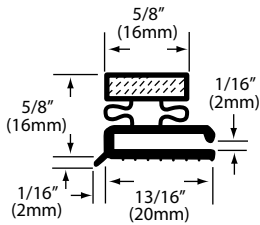
- Grey PVC compression gasket
- Grease resistant
- Easy to clean
- Durable no waste



Part No.	Description
T423330	200ft (76m) roll

# Magnetic Gasket Kits

- Neutral grey PVC
- Fully welded corners
- Easy installation
- Minimises inventory



Part No.	Description	Size
GFK6449S	Straight kit 24 length per box	36" (915mm) long
GFK6449C	Corner kits 24 corners per box 12 RH and 12 LH	12" x 18" (305mm x 457mm)

# Walk-In Cooler Door Safety Latches

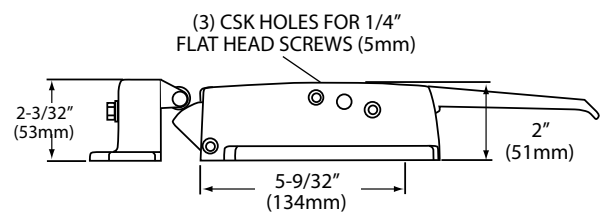
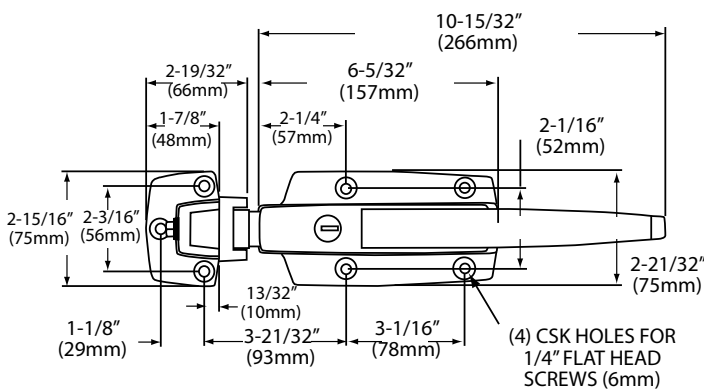
## W19 Series Safety Latches Designed Especially For Walk-In Refrigerators & Freezers

- Heavy duty construction
- Tamper-proof design
- Friction-free operation
- Easy lift handle
- Easily adjusted strike assembly



Part No.	Description	Finish	Offset Dimensions
W191000	No cylinder lock	Polished chrome	-1/8" to 3/8" (-3mm to 10mm)
W191000C	With cylinder lock	Polished chrome	-1/8" to 3/8" (-3mm to 10mm)
W191500	No cylinder lock	Polished chrome	3/4" to 1-5/8" (19mm to 41mm)
W191500C	With cylinder lock	Polished chrome	3/4" to 1-5/8" (19mm to 41mm)
W192000	No cylinder lock	Polished chrome	1-5/8" to 2-1/2" (41mm to 64mm)
W192000C	With cylinder lock	Polished chrome	1-5/8" to 2-1/2" (41mm to 64mm)
P300802	Spare key		

Refrigeration Components

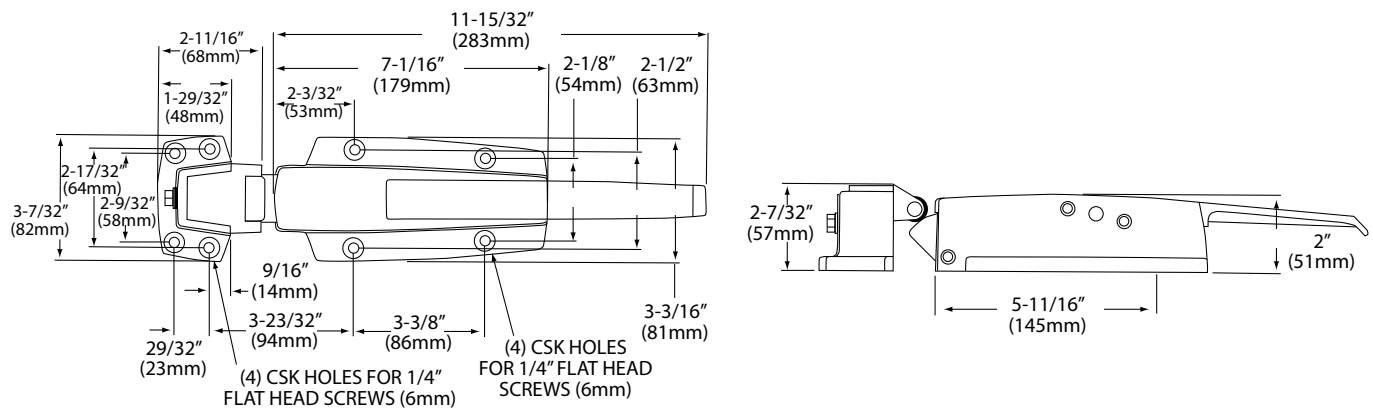


# Heavy Duty Walk-In Door Safety Latches

- Designed especially for walk-in refrigerators and freezers
- Super heavy duty construction
- Easy-lift handle
- Friction-free operation
- Easily adjusted strike assembly
- Tamper-proof design



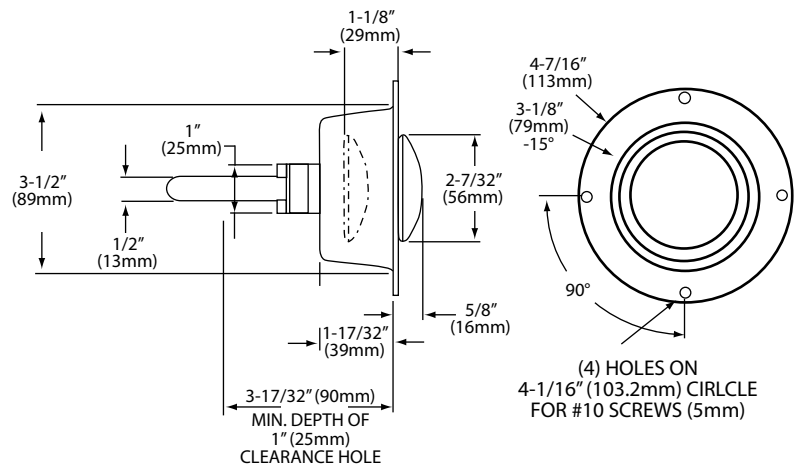
Part No.	Description	Finish	Offset Dimensions
W381000	No cylinder lock	Polished chrome	-1/8" to 3/8" (-3mm to 10mm)
W381000C	With cylinder lock	Polished chrome	-1/8" to 3/8" (-3mm to 10mm)





## Inside Safety Releases

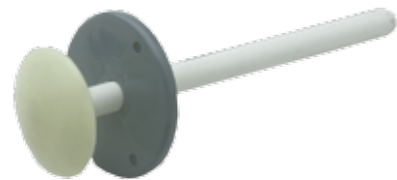
- Inside safety releases for recessed mount
- Surface mount and flush mount styles
- Glow-in-the-dark knob
- Solid fibreglass reinforced
- Recessed design



### Recessed Mount



### Surface Mount



Part No.	Door Thickness
W283400	4" (102mm)
W283600	6" (152mm)
W283800	8" (203mm)

Part No.	Door Thickness
W282325	3 1/4" (83mm)
W282400	4" (102mm)
W282600	6" (152mm)
W282800	8" (203mm)

## Speciality Hardware For Outdoor Application

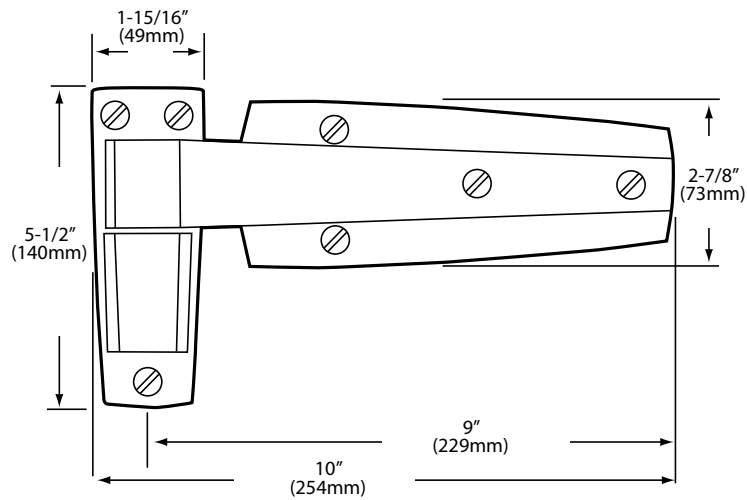
Available as complete assembly

Part No.	Description
W38-1000-C-GE	Heavy duty latch kit includes flush mount latch with cylinder, gasket and inside release

# Walk-In Door Hinges

Lift off hinges with cam rise action

Part No.	Description	Offset
W601000	Long strap polished chrome finish	Flush
W601112	Long strap polished chrome finish	1.1/8" (29mm)



# Silicone Sealer

- Fits all standard caulking guns
- F.D.A approved
- U.L. recognised
- Meets F.D.A extraction requirement
- Silicone sealant 10.3oz (305ml) cartridge
- Supplied with removable tip



Part No.	Colour	Maximum Service Temp.
M901010	Clear	400°F (232°C)
M901012	Aluminium	400°F (232°C)

# RAHRBACH

## Verschlussstechnik

Rahrbach have for over 90 years supplied premium locking solutions to heating, cold storage, medical and electromechanical market places.

Die-Pat is the UK distributor for all Rahrbach products.

For further information on Rahrbach products, please call our sales team on 01327 311144 for a brochure.

## Hardware For Heated Applications

### Series 6188 ERGO – Edge-Mounted Latch



- Self-closing latch with adjustable closing force
- Latches only with door closed
- Wide variety of surface finishes
- Material: Handle and housing – zinc die-cast

### Series 6200 DUPLO – Edge-Mounted Latch



- Self-closing latch with proven technology
- Prepared for easy switch from 2-step opening to 1-step opening
- Various surface finishes
- Material: Zinc die-cast; Springs, screws – stainless steel

### Series 6202 MAGNETO – Edge-Mounted Latch



- Self-closing latch with variable closing force
- For ovens, proofers, trolleys and many more
- Magnetic latching system
- Closing force 150N, 300N and 450N available
- Material: Handle and housing – cathodic dip painted (black); Washer – plastic

### Series 6300 – Press Lever Latch



- Easy handling of high gasket pressure
- Compressing distance 8mm
- 2-step incremental mechanism
- Visible surfaces chromium-plated
- Handle customisation upon request
- Material: Housing – zinc die-cast, chromium-plated; Handle – plastic; Axles – zinc die-cast; Strike – zinc die-cast

## Series 6302 - Cam-Action Latch



- Easy handling of high gasket pressure
- Can be mounted from the frontside or the inside of the oven door
- Compressing distance 4mm
- Fine adjustment via strike thread
- Handle customisation upon request
- Material: Handle – plastic; Housing – zinc die-cast, chromium-plated or powder coated; Axles – zinc die-cast; Cam – stainless steel; Strike – stainless steel

## Series 6303 - Latching Mechanism



- Self-closing latch
- Universal use
- 1- or 2-step opening
- Wire bracket in varying lengths depending on door thickness
- Fine adjustment via strike thread
- Handle can be customised upon request
- Material: Housing – zinc die-cast; Axles – zinc die-cast; Bushing – plastic; Wire bracket – stainless steel; Strike – stainless steel

## Series 6333 – Pendulum Latch



- Enhanced functionality for self-closing latches
- More endurance with high gasket-pressure
- Resistant against aggressive climate
- Ergonomic handle
- Locking lever in varying length depending on door thickness
- Fine-adjustment via strike thread
- Handle can be customised upon request
- 1- or 2-step opening
- Universal use
- Can be mounted from front or inside
- Material: Housing – zinc die-cast; Handle – plastic; Axles – zinc die-cast; Locking lever - stainless steel; Strike – stainless steel



## Series 6334 - Latching Mechanism

- Enhanced functionality for self-closing latches
- More endurance with high gasket-pressure
- Compact size for narrow door-profiles
- Resistant against aggressive climate
- Optional with adapter for 6mm or 8mm glass doors
- Locking lever in varying length depending on door thickness
- Fine-adjustment via strike thread
- Handle can be customised upon request
- 1- or 2-step opening
- Universal use
- Material: Housing – zinc die-cast; Handle – plastic; Axles – zinc die-cast; Locking lever – stainless steel; Strike – stainless steel



## Locking Technology For Cold Storage

### Series 4296 – Leaf Hinge



- High-performance hinge for high standards
- For cold storage doors and more
- Rising
- Adjustability in 2 dimensions
- Door weight capacity max. 80kg using 2 hinges
- Material: Zinc die-cast

### Series 7800 ARCTO – Cold Storage Door Latch



- Self-closing latch for hinged doors
- Consistent design with inside and outside latching
- For cold storage doors
- To be utilised for left and right-hinged doors
- Lockable
- Option available with electric status report
- Wide variety of colours
- Material: Plastic. Axles, springs & pins – galvanised steel

## Series 4514 FUTURO – Edge-Mounted Hinge

- Stylish hinge for customised colour-schemes
- Universal use
- Adjustability in 3 dimensions
- Choice of rising and non-rising
- Left and right-hinged doors
- Wide variety in surface finishes
- Coloured caps, removable
- Protection against unauthorized dismantling
- Spacers in 5mm increments
- Door weight capacity of max. 80kg using 2 hinges
- Material: Metal, zinc die-cast, plastic
- Caps of plastic



Surface finishes:

*Chromium-plated*



*Grey (RAL 7001)*



Part No.	Description
4514-020200	Right hand, rising
4514-020201	Left hand, rising
4514-020502	Non-rising

Part No.	Description
4514-020210	Right hand, rising
4514-020211	Left hand, rising
4514-020512	Non-rising

Option:



*Spacer, 5mm*

Part No.	Colour
4514-020050	Black
4514-020051	Grey
4514-020052	Red
4514-020053	Blue
4514-020054	Green

*Caps*

Part No.	Description
4514-020010	Caps, black, set of 2
4514-020011	Caps, grey, set of 2
4514-020012	Caps, red, set of 2
4514-020013	Caps, blue, set of 2
4514-020014	Caps, green, set of 2

## System 6000 JUMBO – Classic Self Closing Latch

- Classic, self-closing latch
- For hinged doors
- For right and left-hinged doors
- Wide variety in surface finishes
- Material: Housing – zinc die-cast; Inside opener – metal/plastic



## System 6000 | JUMBO – Components

### Inside opener

Part No.	'T' Dimension
6000-020530	40-56mm
6000-020531	60-76mm
6000-020532	76-92mm
6000-020533	92-108mm
6000-020534	108-124mm
6000-020535	124-140mm
6000-020536	140-156mm
6000-020537	156-172mm



### Strike, chromium-plated

Part No.	'S' Dimension
6000-020800	24-43 mm
6000-020702	30-43mm
6000-020703	37-51mm
6000-020704	44-58mm
6000-020705	51-65mm
6000-020706	59-72mm
6000-020707	66-80mm



## Strike, grey, RAL 7001

Part No.	'S' Dimension
6000-020801	24-43 mm
6000-020720	30-43mm
6000-020721	37-51mm
6000-020722	44-58mm
6000-020723	51-65mm
6000-020724	59-72mm
6000-020725	66-80mm

## Strike, chromium-plated

Part No.	'S' Dimension
6000-020708	71-85mm
6000-020709	78-92mm
6000-020710	86-100mm
6000-020711	91-105mm
6000-020712	99-112mm
6000-020713	106-120mm

## Strike, grey, RAL 7001

Part No.	'S' Dimension
6000-020726	71-85mm
6000-020727	78-92mm
6000-020728	86-100mm
6000-020729	91-105mm
6000-020730	99-112mm
6000-020731	106-120mm

## Counter support

Part No.	'F' Dimension
6000-020699	13mm
6000-020700	16mm
6000-020701	19mm





*Standard locking cylinder*

Part No.	Description
6000-020893	Chromium-plated
6000-020894	Grey (RAL 7001)

*Profile locking cylinder*

Part No.	Description
6000-020695	Chromium-plated
6000-020696	Grey (RAL 7001)

*Prepared for profile locking cylinder*

Part No.	Description
6000-020551	Chromium-plated
6000-020550	Grey (RAL 7001)

*Prepared for KABA locking cylinder*

Part No.	Description
6000-020559	Chromium-plated
6000-020558	Grey (RAL 7001)

*Protecting bar and inside handle*

**Part No.** 6000-020002

## Options:

Part No.	Description
6000-020754	Spacer, 6.5mm for inside handle
6000-020615	Spacer, 5mm for inside opener
6000-020556	Cover plug for use without locking cylinder
6000-020719	Spacer for strike, 7.5mm

# Locking Technology For Refrigerated Furnishings

## Series 4480 – Hinge



- Classic, sturdy hinge for high demands
- For refrigerated furnishings, under bars and more
- To be used for left and right-hinged doors
- Available for varying door offset dimensions
- Door weight capacity of max. 25kg (2 hinges)
- Chromium-plated
- Material: Metal/zinc die-cast

## Series 4513 – Edge-Mounted Hinge / Spring-Loaded Hinge



- Edge-mounted hinge with optional self-closing assistance
- For refrigerated furnishings, under bars and more
- Quick and easy assembly
- Protection against unauthorised dismantling
- To be used for left and right-hinged doors
- Spring-loaded hinge self-closes when door is open 45° or less
- Door weight capacity of max. 20kg (2 hinges)
- Wide variety of surface colourings
- Material: Hinge – plastic (weatherproof); Springs – stainless steel

## Series 6186 PRESTO – Edge-Mounted Latch

Surface variations:

*Chromium-plated*

Part No.	Description
6186-020198	Lockable
6186-020273	Non-lockable

*Chromium-plated/black*

Part No.	Description
6186-020298	Lockable
6186-020297	Non-lockable



- Self-closing double-latch with push-button
- For refrigerated furnishings, commercial refrigeration, cooling chambers and underbars
- Self-locking
- Unlatches via push-button when locked
- Available lockable or non-lockable
- Materials: Housing – zinc die-cast; Push-button – zinc die-cast or plastic

Options:

Part No.	Description
6186-020202	Strike
6186-020423	Spacer, 5mm

## Series 6188 ERGO – Edge-Mounted Latch

- Self-closing latch with adjustable closing force
- For refrigerated furnishings, commercial refrigerators, cooling chambers, underbars and more
- Latch variations available for fulfillment of different safety regulations
- Available lockable or non-lockable
- Self-locking model available
- Wide variety of surface colouring
- Materials: Handle – zinc die-cast; Housing – zinc die-cast or plastic



## Surface variations:

*Metal, chromium-plated*

Part No.	Description
6188-020251	Lockable
6188-020252	Non-lockable

*Metal, powder-coated, RAL 9007*

Part No.	Description
6188-020250	Lockable
6188-020222	Non-lockable

## Options:

Part No.	Description
6188-020207	Strike, adjustable
6188-020208	Spacer, 5mm

*Plastic/metal, black/chromium-plated*

Part No.	Description
6188-020225	Lockable
6188-020224	Non-lockable

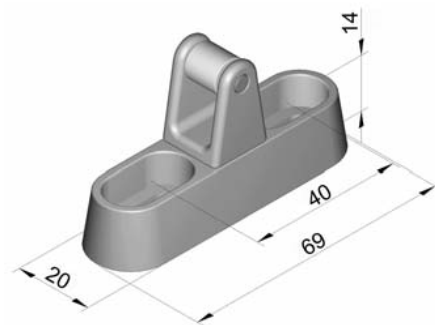
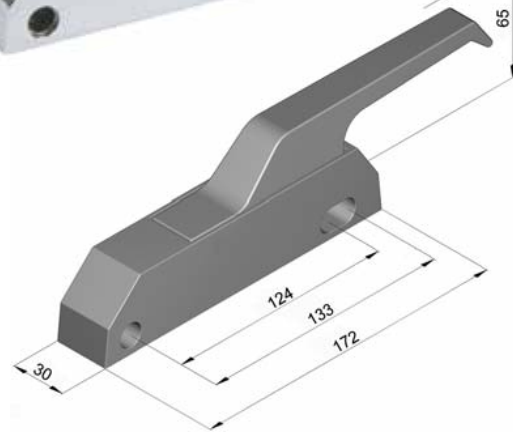
*Plastic/metal, black, RAL 9005*

Part No.	Description
6188-020226	Lockable
6188-020223	Non-lockable

## Series 6201 DUPLO – Edge-Mounted Latch

- Self-closing latching system
- For refrigerated furnishings, commercial refrigeration, cooling chambers, under bars and many more applications
- Latch variations available for fulfillment of different safety regulations
- Wide variety of surface colouring
- Materials: Housing – zinc die-cast; Strike – stainless steel

Edge-mount latch including strike:



Part No.	Description
6201-020001	Chromium-plated

## Series 6770 – Surface-Mounted Latch



- Sturdy, self-closing latching system with increased closing force
- For refrigerated furnishings, commercial refrigeration, cooling chambers and more
- Latch for high demands
- Chromium-plated
- Strike adjustable in height
- Material: Zinc die-cast

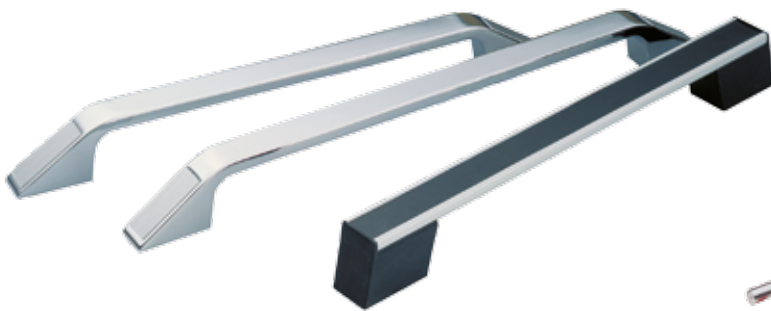
## Series 7900 – Hinge



- For flush doors
- For refrigerated furnishings, under bars and more
- To be used for left and right-hinged doors
- Available for varying door offset dimensions
- Door weight capacity of max. 25kg (2 hinges)
- Chromium-plated
- Material: Metal/zinc die-cast



# Cabinet Hardware



# Cabinet Hardware

Brackets, Handle	116	Knobs	117
Catches	122, 128-130	Latches	123
Magnetic	128-129	Locks	126-128
Mechanical	129-130	Drawer	127
Drawer-tite	122	Plunger	128
Coffee Ground Hopper	132	Sliding Door	127
Door Guides	139	T-Bolt	127
Door Sheaves	138	Utility	126
Door Stop	139	Paddle Latches	121
Drawers	131	Pulls	118-119
Coffee	131	Stainless Steel Pull	122
Drawer Slides	133-137	Recessed	120
Guide Pins	139	Sliding Door Components	138
Handle Brackets	116	Supports, Handle	112
Handles	115-117, 122	Thumbscrew Fastener	119
Black Nylon Fibreglass	117	Under Table Drawers	131
Chrome Plated Knobs	117		
Decorative	115		
Drop	122		
Heavy Duty Tubular	116		
Offset Chrome	116		
Sculptured	115		
Handle Brackets	116		
Handle Supports	117		
Hasp & Staples	122		
Hinges	123-125		
Butt Hinges	125		
Continuous Hinges	123		
Lift-Off Flag Hinges	124		
Lift-Off Hinges	124		
Right Hand Latch Hinges	125		

Please order by 4pm for next day delivery.  
Timed and special deliveries can also be arranged.

## Handles & Knobs

### Sculptured Handles

- Solid metal casting
- Polished chrome finish
- Front or rear fastening
- Two lengths available



Part No.	O.A. Length	"A" Dim.	"B" Dim.
P481010	14-5/8" (371mm)	13-7/16" (340mm)	12-7/16" (316mm)
P481012	12-13/16" (325mm)	11-5/8" (295mm)	10-5/8" (270mm)

#### Notes

- "A" Dimension represents hole centres for front mounting # 10 screws
- "B" Dimension represents threaded holes centres to receive 1/4- 20 screws for rear mounting
- Decorative trim inserts are supplied to conceal front mounting screws
- Extra trim inserts are available and may be ordered as model P48X002

### Decorative Handles

- Dual mounting front and rear
- Two standard lengths available
- Heat resistant
- Heavy duty construction
- Anodised aluminium handle with nylon supports



Part No.	O.A. Length	O.C. Mounting
P491500-6	7-11/16" (195mm)	6" (152mm)
P491500	12-1/4" (311mm)	10-5/8" (270mm)

#### Notes

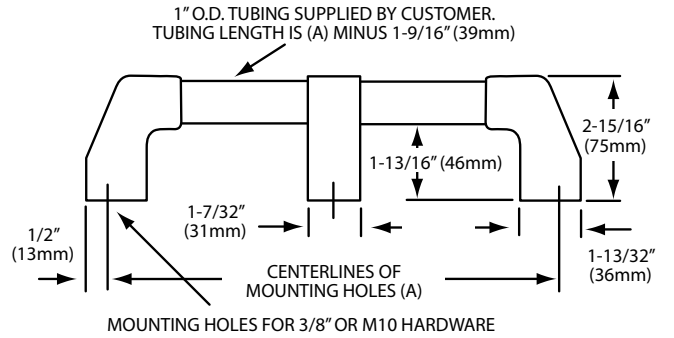
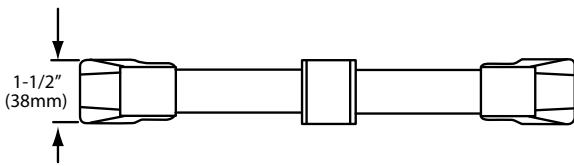
- Pre-assembled handles will accept screws for front mounting
- Internal brass bushings accept standard 1/4 20 machine screws for rear fastening
- A pressure sensitive black vinyl insert conceals screw holes
- Other lengths available upon application on quantity orders

## Handle Brackets

- Heavy duty nylon fibreglass reinforced end brackets (pr.) and centre support bracket
- Temperature range to 300°F (149°C)



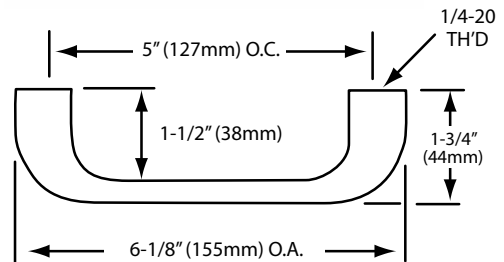
Part No.	Description
P492100	End bracket (pr.)
P492200	Centre support bracket



## Offset Chrome Handle

- Material: Chrome plated die cast metal

Part No.	O.A. Length	O.C. Mounting
P401010	6 1/8" (155mm)	5" (127mm)

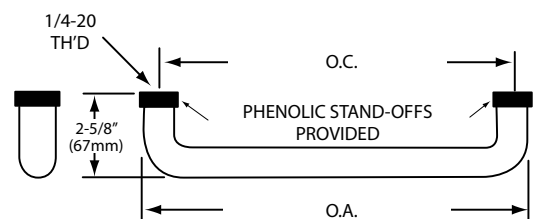


## Heavy Duty Tubular Handles

- Satin finish
- Material: 7/8" (22mm) O.D. stainless steel formed tube
- Phenolic stand off provided

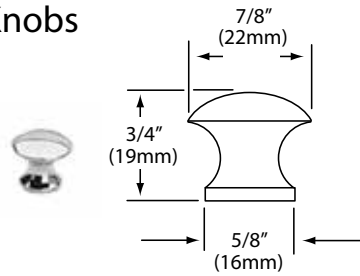


Part No.	O.A. Length	O.C. Mounting
P471012	12-7/8" (327mm)	12" (305mm)
P471018	18-7/8" (479mm)	18" (457mm)

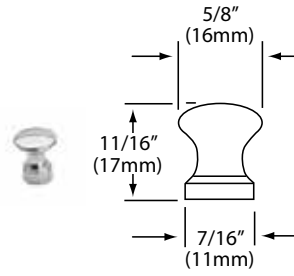




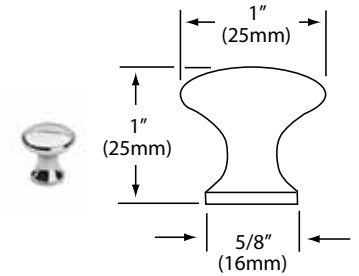
### Chrome Plated Knobs



Part No. P803000



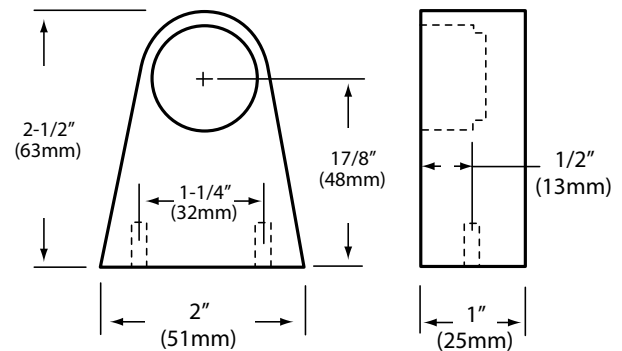
Part No. P803020



Part No. P803030

### Handle Supports

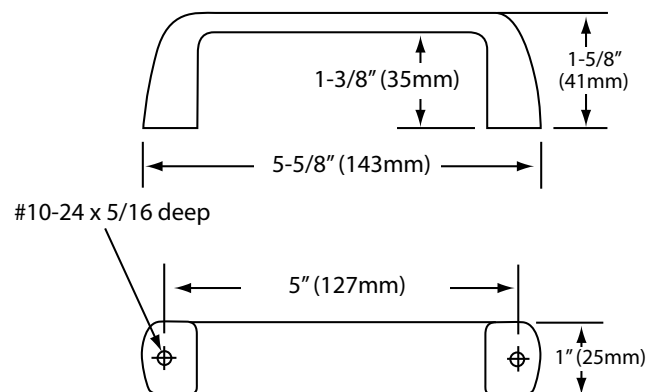
- Aluminium, satin textured finish for 1" (25mm) O.D. tubing



Part No.	Description
P491010	One pair

### Black Nylon Fibreglass Handle

- Black nylon fibreglass reinforced with solid brass tapped inserts
- Ideal for heated cabinets
- Rated to 300°F (149°C) Full 1-3/8 (35mm) grip clearance



Cabinet Hardware

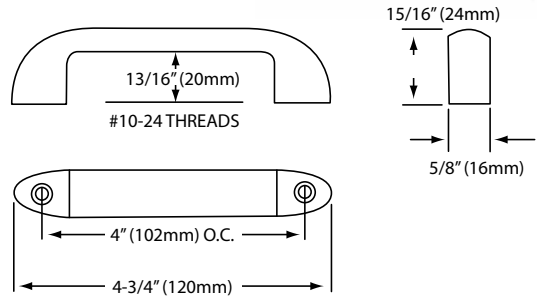
Part No.	O.A. Length	O.C. Mounting	Included s/s screw
P531012/SS	5-5/8" (143mm)	5" (127mm)	12.5mm long screw inc.
P531012/LS	5-5/8" (143mm)	5" (127mm)	25mm long screw inc.

## Pulls

### Die Cast or Nylon



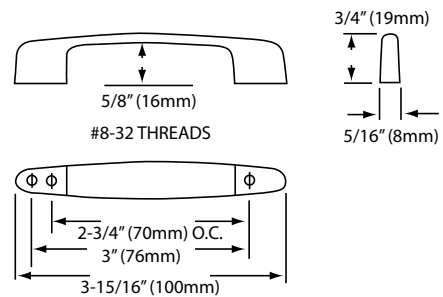
Part No.	Material & Finish
P501010	Die cast polished chrome
P501011	Die cast buffed satin
P521010	Nylon gloss black



### Nylon Pull Furnished With Brass Inserts



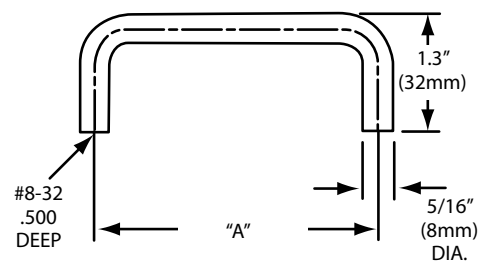
Part No.	Dim. A	Material & Finish
P511010	3" (76mm)	Chrome Plated



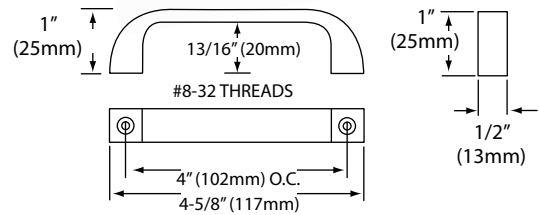
### Wire Pulls



Part No.	Dim. A	Material & Finish
P453000	3" (76mm)	Satin chrome finish
P453500	3-1/2" (89mm)	Satin chrome finish
P454000	4" (102mm)	Satin chrome finish

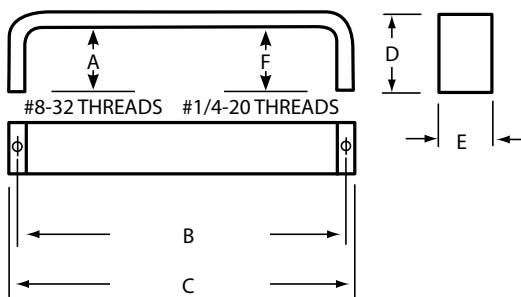


## Aluminium Alloy Satin Finish



Part No.	Dim. A	Material & Finish
P441010	4" (102mm)	Satin chrome finish

## Bar Pulls

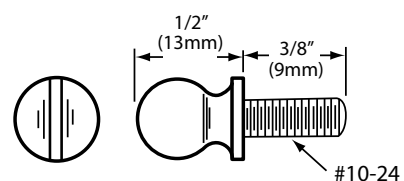


Part No.	Material & Finish	A	B	C	D	E	F
P461010	Stainless steel satin	1" (25mm)	5" (127mm) O.C.	5-1/4" (133mm)	1-1/4" (32mm)	5/8" (16mm)	N/A
P461012	Stainless steel satin	1" (25mm)	4" (102mm) O.C.	4-1/4" (108mm)	1-1/4" (32mm)	5/8" (16mm)	N/A
P465006	Stainless steel satin	N/A	6" (152mm)	6-1/2" (165mm)	2" (51mm)	1-1/16" (27mm)	1-9/16" (40mm)

Cabinet Hardware

## Thumbscrew Fastener

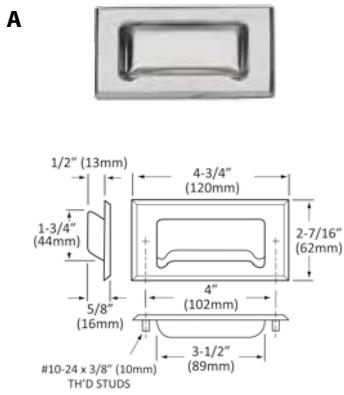
• Used to meet NSF requirements where handles and pulls must be fastened or removed without the use of tools #10-24



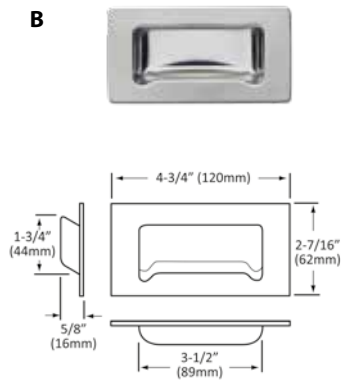
Part No.	Material & Finish
P511024	Stainless steel

# Recessed Pulls

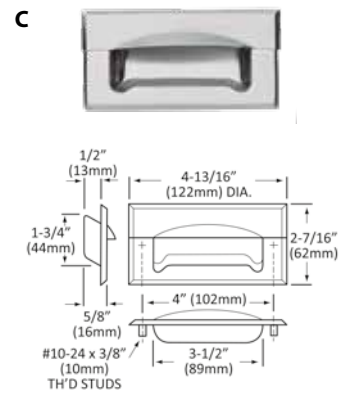
## Stainless Steel & Black ABS Thermoplastic



**Part No. P621010**



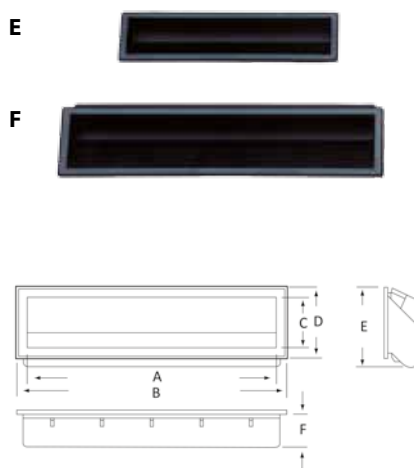
**Part No. P621014**



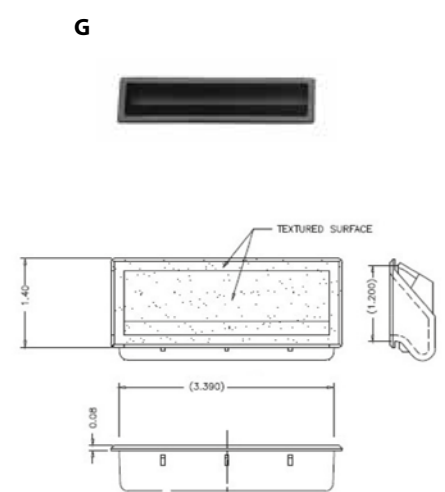
**Part No. P631012**



**Part No. P601010**



**Part No. P731000 / P732000**



**Part No. P730500**

Ref.	Part No.	Description
A	P621010/01	Stainless steel door pull with frame bevelled edge
B	P621014	Stainless steel door pull flush type for welding
C	P631012/01	Drawer pull stainless steel full grip type frame bevelled edge
D	P601010	Round pull stainless steel with bevelled edge
E	P731000	5" Black recessed door pull
F	P732000	7" Black recessed door pull
G	P730500	3.3" Black recessed door pull

Please note: For technical specifications of the above products, please call our sales team on 01327 311144.

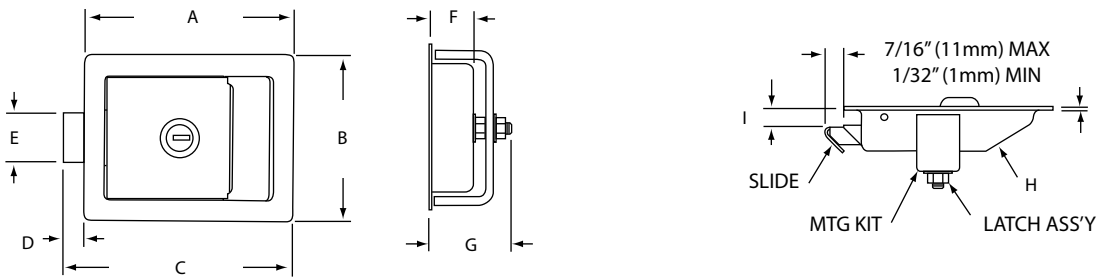
## Heavy Duty Stainless Paddle Latches

- Brushed stainless steel finish
- Rugged all stainless construction
- Allows for clean, flush mounting
- Convenient sized latches offer a wide range of application
- Economically priced
- Unique rear mounting bracket provides fast installation
- Ideal for mobile carts and access doors where conventional surface mounted hardware is inappropriate



Part No. P905000-C / P905000

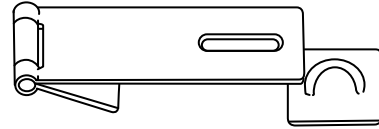
Part No. P902000-C / P902000



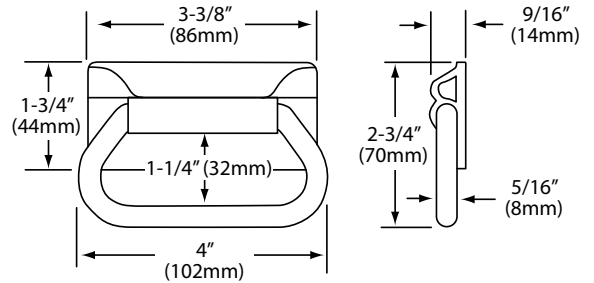
Part No.	Material & Finish	A	B	C	D	E	F	G	H	I
P905000-C	Stainless steel paddle latch with lock	4-7/8"	3-7/8"	5-3/8"	1/2"	1-5/32"	1-1/32"	1-29/32"	.63"	7/16"
P905000	Stainless steel paddle latch without lock	(124mm)	(98mm)	(137mm)	(13mm)	(29mm)	(26mm)	(48mm)	(16mm)	(11mm)
P902000-C	Stainless steel paddle latch with lock	3-5/16"	2-11/16"	3-5/8"	5/16"	3/4"	3/4"	1-13/32"	.048"	5/16"
P902000	Stainless steel paddle latch without lock	(84mm)	(68mm)	(92mm)	(8mm)	(19mm)	(19mm)	(36mm)	(2mm)	(11mm)

# Stainless Steel Pulls & Catches

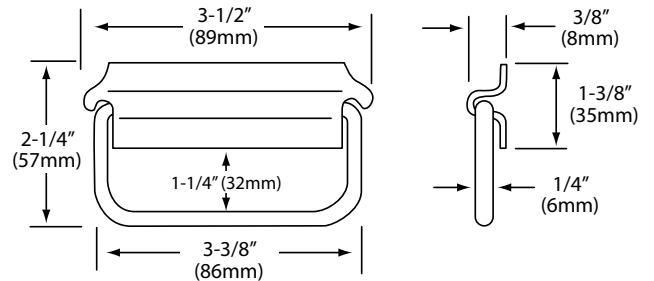
Part No.	Description
M802500	Stainless steel hasp and staple
M803500	Stainless steel hasp and staple
P681010	Heavy duty, straight back drop handle
P701010	Straight back drop handle
M108332	Drawer-tite action catches
M108333	Drawer-tite action catches



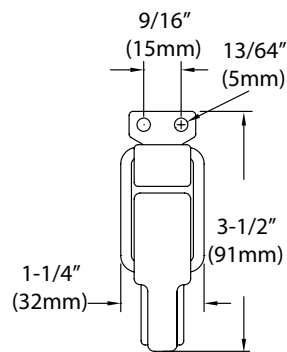
Part No. M802500



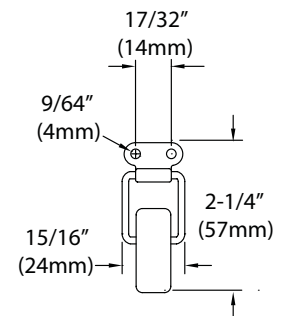
Part No. P681010



Part No. P701010



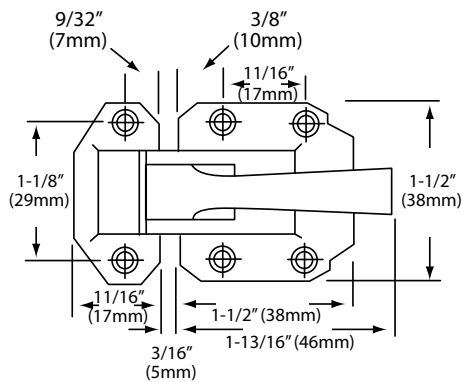
Part No. M108333



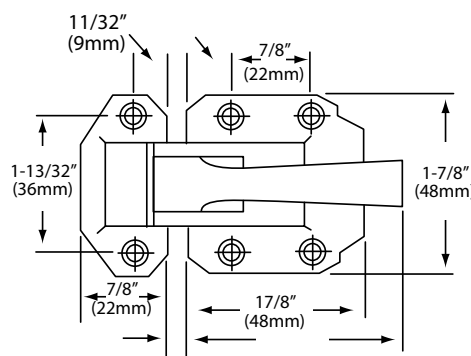
Part No. M108332

# Cabinet Latches

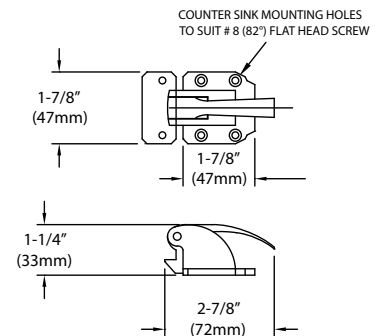
Part No.	Description
M159210	Standard duty cabinet latch
M159211	Heavy duty cabinet latch



Part No. M159210

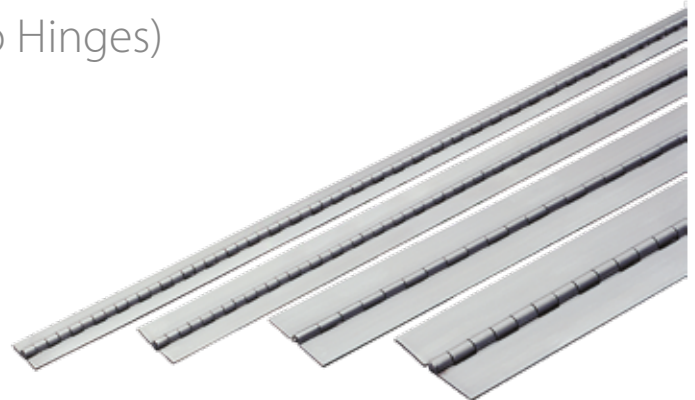
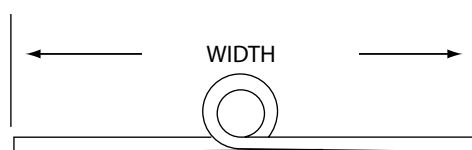


Part No. M159211



# Hinges & Continuous Hinges (Piano Hinges)

## 304 Stainless Steel

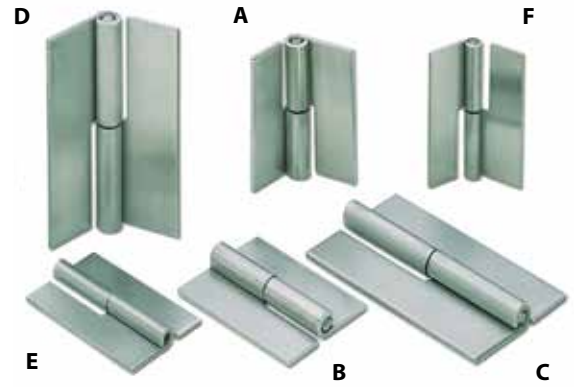
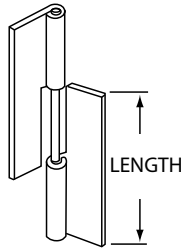


Cabinet Hardware

Part No.	Width	Length	Gauge	Pin Dia.
M480112	3/4" (19mm)	72" (1829mm) (6ft)	.035 (1mm)	.086" (2.2mm)
M480122	1-1/16" (27mm)	72" (1829mm) (6ft)	.040" (1mm)	.086" (2.2mm)
M480132	1-1/2" (38mm)	72" (1829mm) (6ft)	.040" (1mm)	.090" (2.3mm)
M480134	1-1/2" (38mm)	72" (1829mm) (6ft)	.060" (1.5mm)	.090" (2.3mm)
M480144	2" (51mm)	72" (1829mm) (6ft)	.060" (1.5mm)	.120" (3mm)
M480154	2-1/2" (64mm)	72" (1829mm) (6ft)	.060" (1.5mm)	.125" (3mm)

Please note: Hinge not furnished with holes.

## Lift Off Hinges

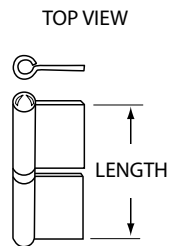


Ref.	Part No.	Length	Open	Gauge	Pin Dia.	Hand
A	R748000RH	2" (51mm)	1-3/4" (44mm)	.075" (2mm)	3/16" (5mm)	RH
B	R748001LH	2" (51mm)	1-3/4" (44mm)	.075" (2mm)	3/16" (5mm)	LH
C	R748100RH	3" (76mm)	2" (51mm)	.075" (2mm)	3/16" (5mm)	RH
D	R748101LH	3" (76mm)	2" (51mm)	.075" (2mm)	3/16" (5mm)	LH
E	R749000RH	2" (51mm)	1-1/4" (32mm)	.060" (1.5mm)	1/8" (3mm)	RH
F	R749001LH	2" (51mm)	1-1/4" (32mm)	.060" (1.5mm)	1/8" (3mm)	LH

Please note: Hinge not furnished with holes.

## Lift Off Flag Hinges

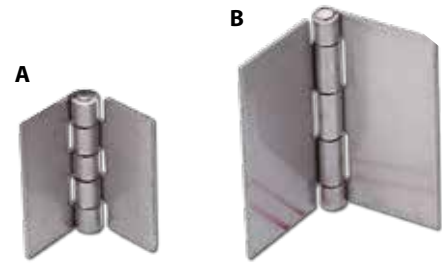
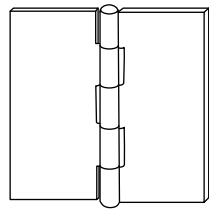
- Swedged knuckle
- Non-handed
- Stainless steel and nylon bearing
- Eliminates mortising of door or jamb
- Minimum door clearance required



Part No.	Length	Open	Gauge	Pin Dia.
M751002	2-1/16" (52mm)	1-3/32" (28mm)	.075" (2mm)	3/16" (5mm)
M755003	3" (76mm)	1-3/8" (35mm)	.075" (2mm)	1/4" (6mm)

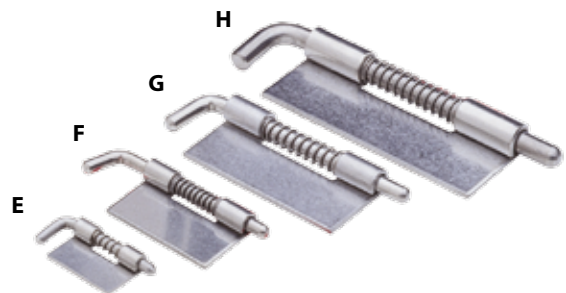
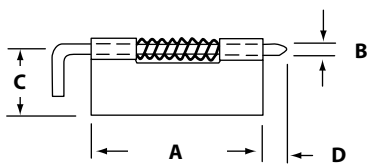


## Butt Hinges



Ref.	Part No.	Length	Open	Gauge	Pin Dia.
A	M742078	2" (51mm)	2" (51mm)	14GA (2mm)	.187" (5mm)
B	M743078	3" (76mm)	3" (76mm)	14GA (2mm)	.187" (5mm)

## Right Hand Latch Hinges

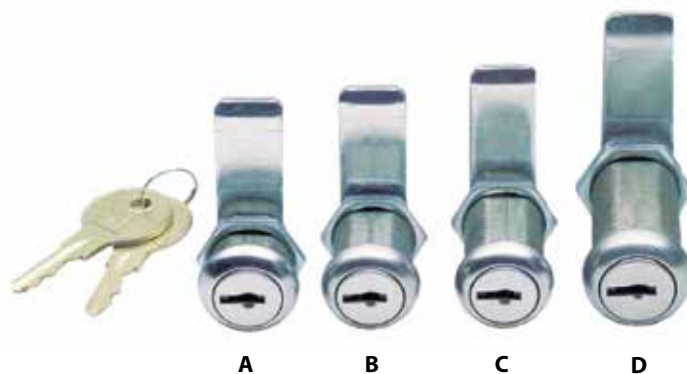


Ref.	Part No.	A	B	C	D	Gauge
E	M129292	7/8" (22mm)	1/8" (3mm)	1/2" (13mm)	3/16" (5mm)	.035" (1mm)
F	M129293	1-3/8" (35mm)	5/32" (4mm)	3/4" (19mm)	1/4" (6mm)	.040" (1mm)
G	M129294	2" (51mm)	3/16" (5mm)	7/8" (22mm)	3/8" (10mm)	.050" (1mm)
H	M129295	2-3/4" (70mm)	1/4" (6mm)	1" (25mm)	1/2" (13mm)	.062" (2mm)

# Locks & Catches

## Utility Locks

- Stainless steel faced
- Disc tumbler
- Four barrel lengths available
- Permits material thickness of up 1-3/16" (30mm)
- Key removable in locked or unlocked position
- Furnished with two brass keys



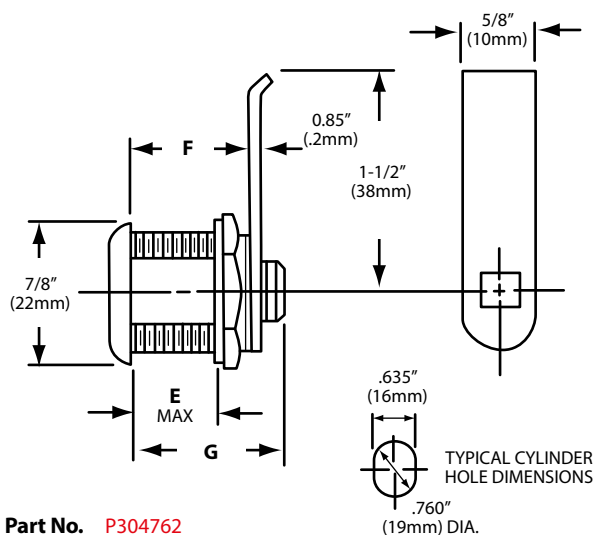
Ref.	Part No.	E	F	G	Keyring
A	P304750	9/32" (7mm)	5/8" (16mm)	7/8" (22mm)	Alike
	P304751	9/32" (7mm)	5/8" (16mm)	7/8" (22mm)	Different
	P304752	9/32" (7mm)	5/8" (16mm)	7/8" (22mm)	Different & Master Keyed
B	P304760	11/16" (17mm)	7/8" (22mm)	1-1/8" (28mm)	Alike
	P304761	11/16" (17mm)	7/8" (22mm)	1-1/8" (28mm)	Different
	P304762	11/16" (17mm)	7/8" (22mm)	1-1/8" (28mm)	Different & Master Keyed
C	P304770	15/16" (24mm)	1-1/8" (28mm)	1-3/8" (35mm)	Alike
	P304771	15/16" (24mm)	1-1/8" (28mm)	1-3/8" (35mm)	Different
	P307772	15/16" (24mm)	1-1/8" (28mm)	1-3/8" (35mm)	Different & Master Keyed
D	P304780	1-1/8" (28mm)	1-3/8" (35mm)	1-5/8" (41mm)	Alike
	P304781	1-1/8" (28mm)	1-3/8" (35mm)	1-5/8" (41mm)	Different
	P304782	1-1/8" (28mm)	1-3/8" (35mm)	1-5/8" (41mm)	Different & Master Keyed

### Notes

- Cams operate in 180° semi circle
- 90° cams are available upon application (also available keyed alike in series)
- Spur washers for wood drawers available on special order

To order additional keys (keyed alike type KL802 ) use Part No. **P300802**

To order master keys use Part No. **P301000**

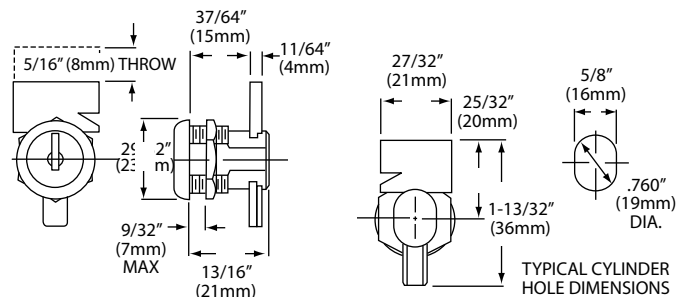


## T-Bolt Lock

- Five disc tumbler
- For hollow metal drawers and foamed in place doors
- Heavy-duty vertical dead bolt removable for installation
- Furnished with two brass keys



Part No. P110480

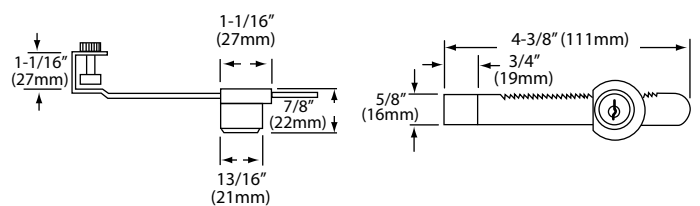


## Sliding Door Lock Adjustable

- Polished chrome finish
- Tamperproof
- For glass doors up to 11/16" (17mm) thick
- Wood, wood framed, or metal doors up to 1" (25mm) thick
- Ratchet bar is tightened in position with thumbscrew



Part No. P220006

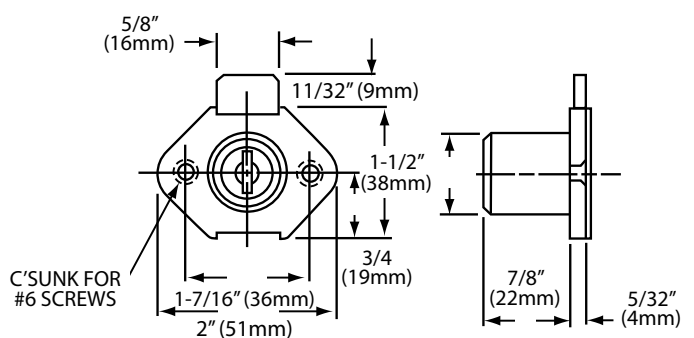


## Drawer Lock

- Easy to install
- Five disc tumbler
- Non-ferrous satin chrome barrel and case
- Furnished with two brass keys



Part No. P100370

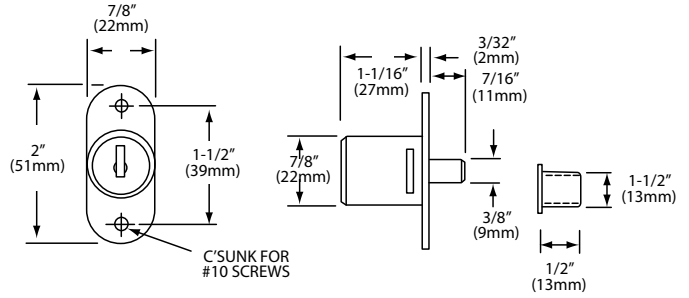


# Plunger Lock

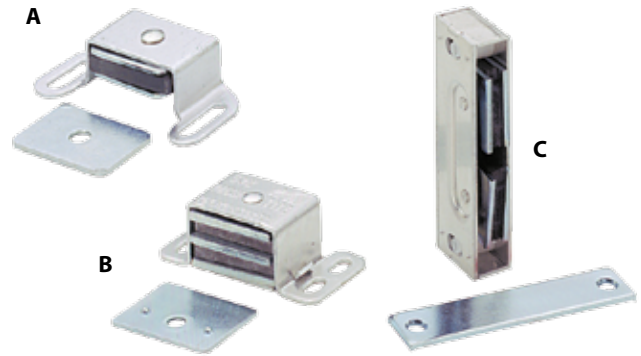
- Nickel plated
- Five disc tumbler
- For bypassing doors approx. 3/4" (19mm) thick and over
- Supplied with easy to install 'push in bolt receiver'
- Locking cylinder cannot be removed from the housing without a key



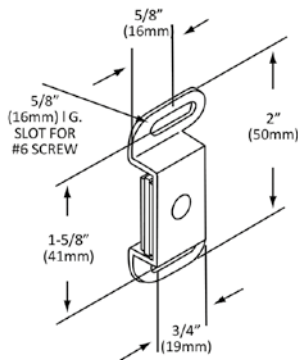
**Part No. P200490**



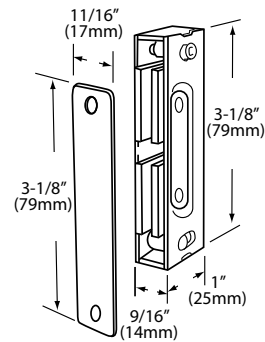
# Magnetic Catches



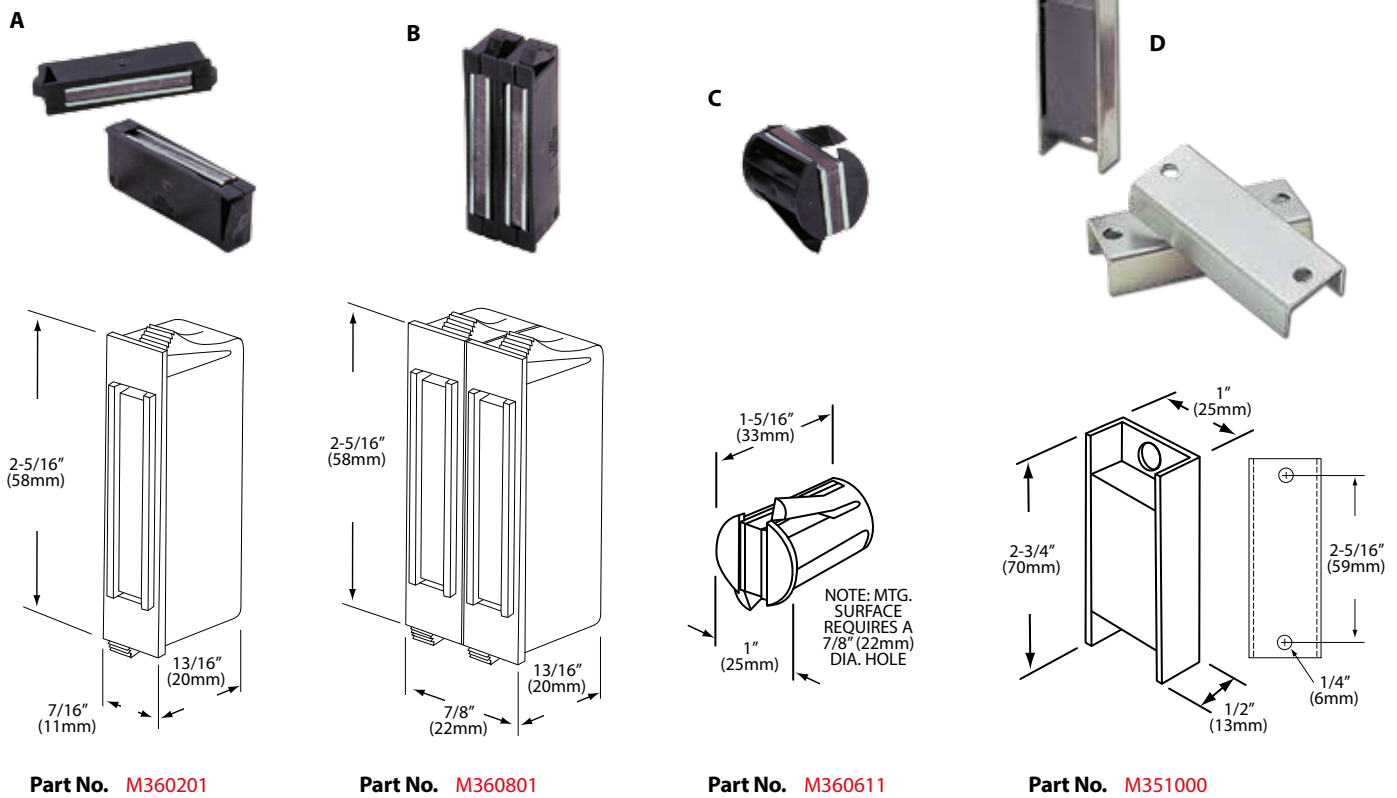
Ref.	Part No.	Description	Size	Pull
A	M302400	Cabinet catch magnetic, single magnet	2" x 1.1/16" x 1/2" (51mm x 27mm x 13mm)	12lbs (5kg)
B	M305920	Cabinet catch magnetic, double magnet	2" x 1.1/16" x 1/2" (51mm x 27mm x 19mm)	20lbs (9kg)
C	M322401	Cabinet catch heavy duty, double magnet	3-1/8" x 1" x 11/16" (79mm x 25mm x 17mm)	20lbs (9kg)



**Part No. M302400 / M305920**

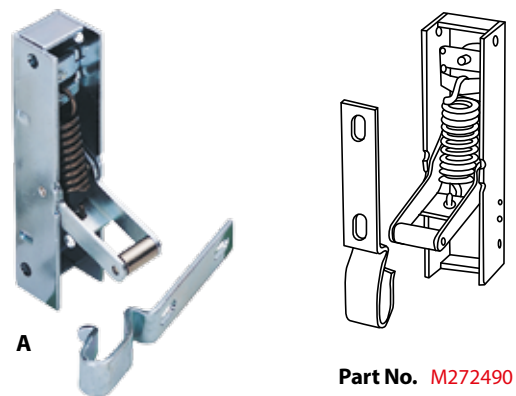


**Part No. M322401**

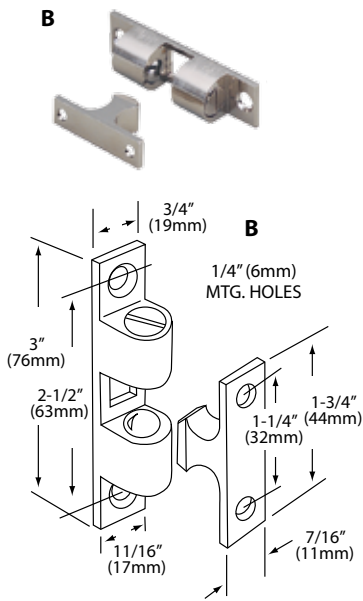


Ref.	Part No.	Description	Material	Pull
A	M360201	Cabinet catch magnetic, snap in type	Black polypropylene with concealed magnets	12lbs (5kg)
B	M360801	Cabinet catch magnetic, snap in type	Black polypropylene with concealed magnets	30lbs (13kg)
C	M360611	Cabinet catch magnetic, snap in type	Black polypropylene with concealed magnets	13lbs (6kg)
D	M351000	Cabinet catch magnetic, concealed type	Zinc plated steel with concealed magnets	30lbs (13kg)

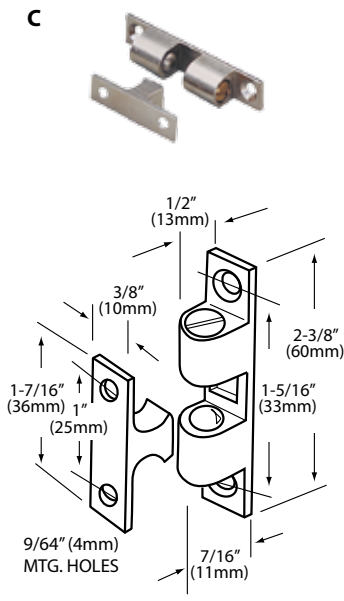
## Mechanical Catches



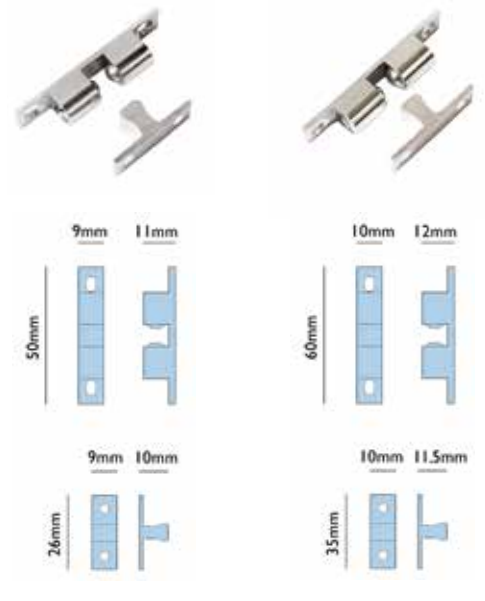
Ref.	Part No.	Description	Material	Size	Pull
A	M272490	Door catch heavy duty adjustable tension	Steel nickel plated	1" x 4" (25mm x 102mm)	8lbs (3.6kg)



Part No. M222430

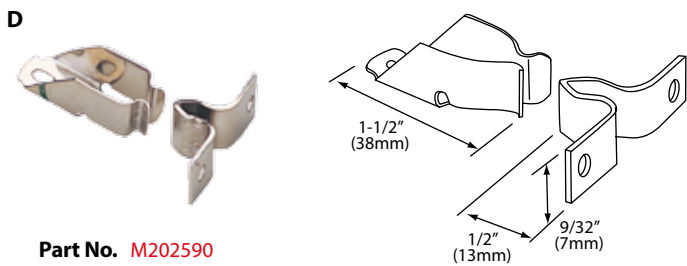


Part No. M222420

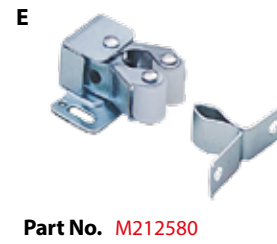


Part No. M222450

Part No. M222460



Part No. M202590



Part No. M212580

Ref.	Part No.	Description	Material
B	M222430	Door catch heavy duty with adjustable spring loaded ball tension	Solid brass with satin nickel finish and stainless steel balls
	M222420	Door catch standard duty with adjustable spring loaded ball tension	Solid brass with satin nickel finish and stainless steel balls and springs
C	M222450	Door catch standard duty with adjustable spring loaded ball tension	
	M222460	Door catch standard duty with adjustable spring loaded ball tension	
D	M202590	Door catch friction type with spring steel action	Zinc plated spring steel
E	M212580	Cabinet catch, friction type with spring action nylon rollers	Zinc plated steel

## Bullet Catches With Fixed Tension

Ref.	Part No.	Material	Size
F	M259460	Steel nickel plated	1/4" (6mm) dia. x 5/16" (8mm) length
F	M259469	Steel nickel plated	3/8" (10mm) dia. x 7/16" (11mm) length



## Under Table Drawers

- Complete undertable drawer assembly
- Designed to be easily stackable
- Stainless steel construction
- Full size gastronorm containers 100mm or 150mm deep
- Container easily removable for cleaning
- D-shaped handles or stainless steel flush pull



Part No. P163

Part No. P150

Part No.	Description	Height	Width	Depth	Pull	Front Panel
P150-100/01	1/1 100mm deep stainless steel undertable drawer	115mm	390mm	530mm	P501010	18mm thick
P150-150/01	1/1 150mm deep stainless steel undertable drawer	165mm	390mm	530mm	P501010	18mm thick
P163-100/01	1/1 100mm deep stainless steel undertable drawer	115mm	390mm	530mm	P631012	18mm thick
P163-150/01	1/1 150mm deep stainless steel undertable drawer	165mm	390mm	530mm	P631012	18mm thick

## Coffee Knock Out Drawer

- Stainless steel 304 construction
- 1.2mm thick
- Full extension removable drawer
- White nylon or rubber bars on request
- Fitted with 4 non-skid pad feet

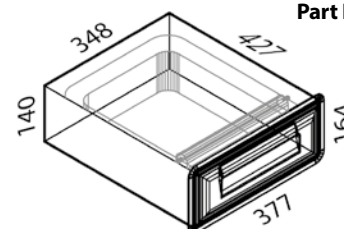


Part No. CKD 360



Part No. CKD 360/KB

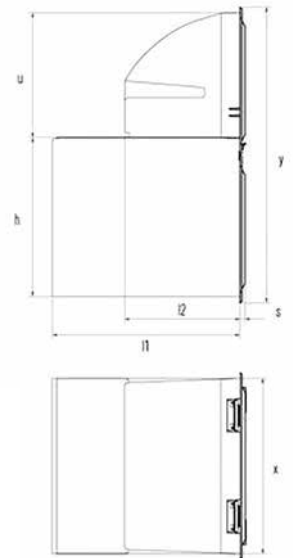
Part No. AP17



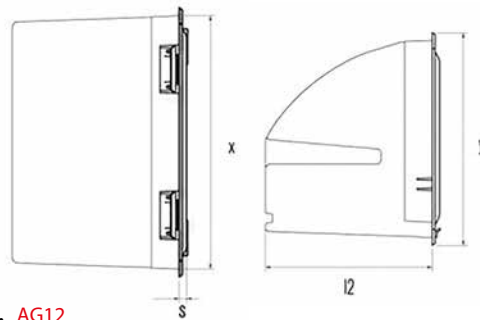
Part No.	Description
CKD 360	Coffee knock out drawer with nylon bar
CKD 360/KB	Knock out bar, nylon, 230mm
CKD 360/SP	Coffee knock out drawer with rubber coated bar
AP17	Single knock out drawer

# Coffee Ground Hopper

Part No.	Description
AG14	Double coffee ground hopper
AG12	Single coffee ground hopper
TB311	Knock out bar with clips, 310mm long. Suitable for AG12 & AG14



Part No. AG14



Part No. AG12



Part No. TB311



## Full Extension Drawer Slides

## S56 Series – Full Extension Steel Zinc Plated Drawer Slides



Part No. S561010



Part No. S561014



Part No. S561018



Part No. S561022

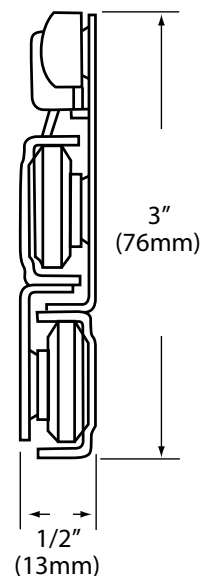
Part No.	Size
S561010	10" (250mm)
S561012	12" (300mm)
S561014	14" (350mm)
S561016	16" (400mm)
S561018	18" (450mm)
S561020	20" (500mm)
S561022	22" (550mm)
S561024	24" (600mm)

## Specifications

- Mounting: Side
- Space required: 12.7mm
- Height: 45.5mm
- Drawer extension: Full travel positive stop
- Material: Zinc plated steel
- Load capacity: 100 lbs (45kg) per pair

## S15 Series

- NSF listed
- Zinc plated steel
- 75 lbs (40kg) load capacity
- Positive stops
- Finger tip lever drawer release



## S15 Series – Steel Zinc Plated Drawer Slides

Part No.	Size
S151012	12" (305mm)
S151014	14" (356mm)
S151016	16" (406mm)
S151018	18" (457mm)
S151020	20" (508mm)
S151022	22" (559mm)
S151024	24" (610mm)
S151026	26" (660mm)

### Specifications

- Mounting: Side
- Space required: 9/16" (16mm)
- Height: 3" (76mm)
- Drawer extension: Length of slide minus 4-1/4" (107mm)
- Material: Cold rolled steel, zinc plated, clear chromate
- Load capacity: 75 lbs (40kg) per pair
- Load rating based on 18" (457mm) slide length packaged 10 pair per carton
- When ordering, measure from inside face to extreme rear of drawer

# Heavy Duty Drawer Slides

## S52 Series

- NSF listed
- Stainless steel full extension
- 200 lbs (100kg) load capacity
- Slides and rollers easily removed for cleaning
- Includes 8 ball bearing assemblies
- Retainer plates keep slides in position even when the drawers are removed
- Positive stops



### Specifications

- Mounting: Side
- Space required: 25/32" (20mm)
- Height: 2-7/16" (62mm)
- Drawer extension: Full travel
- Material: 14 ga (2mm) stainless steel
- Load capacity: 200 lbs (100kg) per pair with stainless steel bearings, 150 lbs (68kg) per pair with Delrin bearings
- Action: Solid Delrin or stainless steel ball bearing wheels with removable stainless steel screws
- Load rating based on 20" (500mm) slide length packaged 6 pair per carton

### S52 Series – Stainless Steel Full Extension Drawer Slides With Stainless Steel Bearings

Part No.	Size
S520020	20" (500mm)
S520022	22" (559mm)
S520024	24" (610mm)
S520026	26" (660mm)

### S52 Series – Stainless Steel Full Extension Drawer Slides With Delrin Bearings

Part No.	Size
S522020	20" (500mm)
S522022	22" (559mm)
S522024	24" (610mm)
S522026	26" (660mm)

### Notes

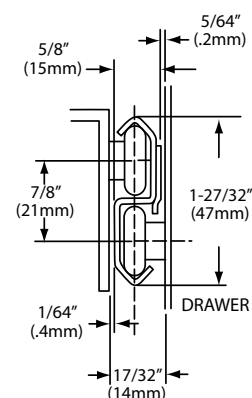
- Both models are furnished with removable stainless steel threaded fasteners
- Stainless steel ball bearing assemblies with removable stainless steel threaded fasteners (Part No. S52-X001) and Delrin bearing complete with removable stainless steel threaded fasteners (Part No. S52-X101) may be ordered separately

## S26 Series – Stainless Steel Full Extension Drawer Slides With Stainless Steel Bearings

- NSF listed
- Stainless steel
- Full extension
- 100 lbs (50kg) load capacity
- Slides and rollers easily removed for cleaning
- Includes 8 ball bearing assemblies
- Retainer plates keep slides in position even when the drawers are removed
- Positive stops

## S10 Series – Zinc Plated Full Extension Drawer Slides With Zinc Plated Bearings

- NSF listed
- Economical zinc plated steel
- Full extension
- 100 lbs (50kg) load capacity
- Slides and rollers easily removed for cleaning
- Includes 8 ball bearing assemblies
- Retainer plates keep slides in position even when the drawers are removed
- Positive stops



### S26 Series Specifications

- Mounting: Side
- Space required: 5/8" (15mm)
- Height: 1-27/32" (21mm)
- Drawer extension: Full travel
- Material: Stainless steel
- Load capacity: 100 lbs (50kg) per pair with stainless steel bearings with removable stainless steel screws
- Load rating based on 20" (500mm) slide length packaged 10 pair per carton
- Stainless steel ball bearing assemblies with removable stainless steel threaded fasteners (Part No. [S26Y001](#)) may be ordered separately

### S10 Series Specifications

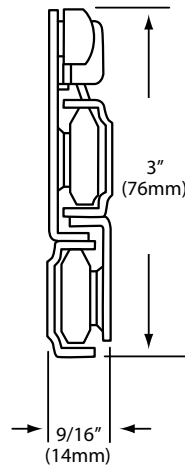
- Mounting: Side
- Space required: 5/8" (15mm)
- Height: 1-27/32" (21mm)
- Drawer extension: Full travel
- Material: Cold rolled zinc plated steel
- Load capacity: 100 lbs (50kg) per pair with cold rolled zinc plated bearings with removable zinc plated steel screws
- Load rating based on 20" (500mm) slide length packaged 10 pair per carton
- Zinc plated steel ball bearing assemblies with removable zinc plated steel threaded fasteners (Part No. [S10Y001](#)) may be ordered separately

Part No.	Size
<a href="#">S260014</a>	14" (356mm)
<a href="#">S260016</a>	16" (406mm)
<a href="#">S260018</a>	18" (457mm)
<a href="#">S260020</a>	20" (508mm)
<a href="#">S260022</a>	22" (559mm)
<a href="#">S260024</a>	24" (610mm)
<a href="#">S260026</a>	26" (660mm)

Part No.	Size
<a href="#">S100014</a>	14" (356mm)
<a href="#">S100016</a>	16" (406mm)
<a href="#">S100018</a>	18" (457mm)
<a href="#">S100020</a>	20" (508mm)
<a href="#">S100022</a>	22" (559mm)
<a href="#">S100024</a>	24" (610mm)
<a href="#">S100026</a>	26" (660mm)

## S25 Series

- NSF listed
- Stainless steel
- 150 lbs (68kg) load capacity
- Positive stops
- Finger tip lever drawer release



### Specifications

- Mounting: Side
- Space required: 9/16" (16mm)
- Height: 3" (76mm)
- Drawer extension: Length of slide minus 4-1/4" (107mm)
- Material: Stainless steel
- Load capacity: 150 lbs (68kg) per pair with stainless steel ball bearing wheels with removable stainless steel screws
- Load rating based on 20" (500mm) slide length packaged 10 pair per carton

### S25 Series – Stainless Steel Drawer Slides With Stainless Steel Bearings

Part No.	Size
S250012	12" (305mm)
S250014	14" (356mm)
S250016	16" (406mm)
S250018	18" (457mm)
S250020	20" (508mm)
S250022	22" (559mm)
S250024	24" (610mm)
S250026	26" (660mm)
S250028	28" (711mm)

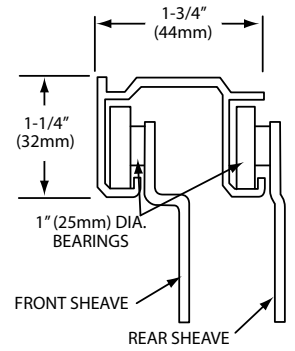
### S25 Series – Stainless Steel Drawer Slides With Stainless Steel Bearings With Nylon Tyre

Part No.	Size
S252012	12" (305mm)
S252014	14" (356mm)
S252016	16" (406mm)
S252018	18" (457mm)
S252020	20" (508mm)
S252022	22" (559mm)
S252024	24" (610mm)
S252026	26" (660mm)
S252028	28" (711mm)

# Sliding Door Components

## Sliding Door Track Aluminium Extrusion

Part No.	Length
B573000/02	3000mm



## Front Door Sheave, Zinc Plated Steel 3/4"(19mm) Side Mounted Door Hanger

Part No.	Wheel Type
B585511/01	Flat steel plated ball bearing
B585513/01	Flat polyimide surface steel inner race ball bearing



Part No. B585511/01



Part No. B585513/01

## Rear Door Sheave, Zinc Plated Steel 3/4"(19mm) Side Mounted Door Hanger

Part No.	Wheel Type
B585521/01	Flat steel plated ball bearing
B585523/01	Flat polyimide surface steel inner race ball bearing



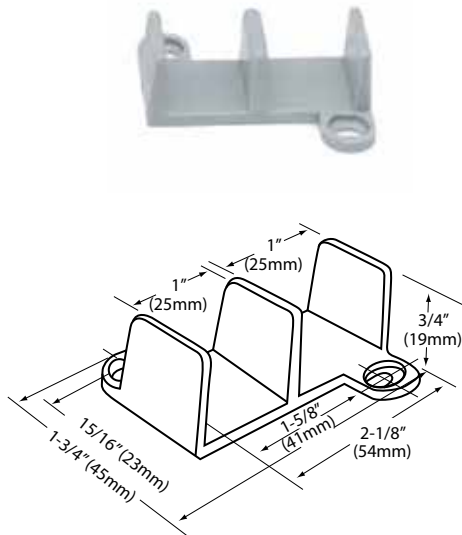
Part No. B585521/01



Part No. B585523/01

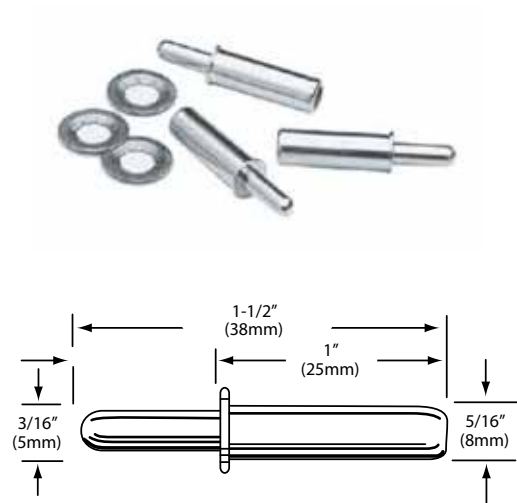
## Door Guide For 3/4" 19mm Sliding Doors

Part No.	Material
B621093/01	Nylon O.A. size 13/4" x 2 1/8" (44mm x 54mm)



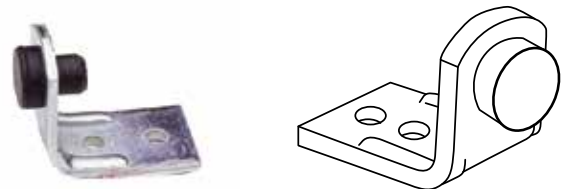
## Guide Pins Spring Loaded With Push-On Speed Nuts

Part No.	Material
B561096	Chrome plated brass



## Door Stop

Part No.	Material
B601086	Steel, zinc plated with solid rubber bumper

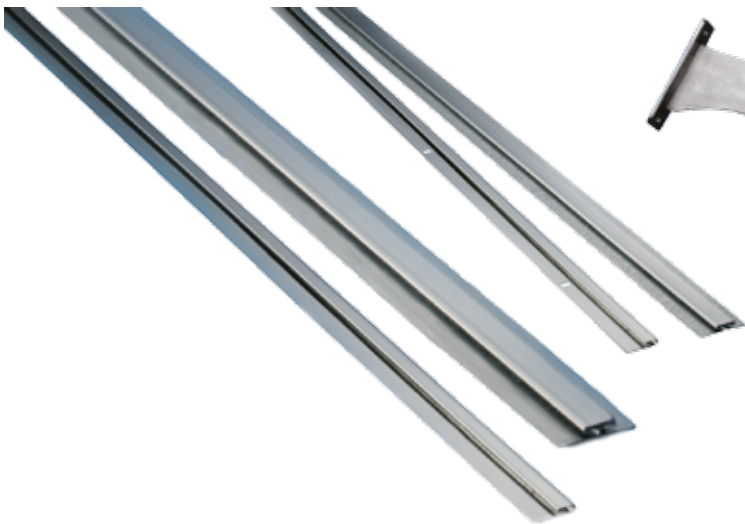








# Cafeteria Components



# Cafeteria Components

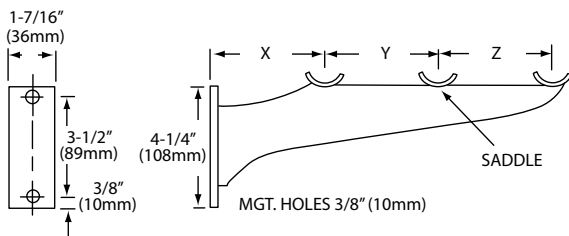
Brackets	143-144
3 Rail	143-144
Fixed	143
Fold Down	144
Tray Slide	143-144
Cap Strips	145
Cup Dispensers	146
Dipperwell	147
Divider Bar	145
Elbows, Tubular	143
End Caps	148
Gastronorm Containers	147
Glass Cappings	145
Rings, Finishing	148
Scrap Rings	147
Sink Corner Inserts	148
Tray Slide Components	143-144
U Bends	143

Please order by 4pm for next day delivery.  
Timed and special deliveries can also be arranged.

## Tray Slide Components

### Stainless Steel 3 Rail Tray Slide Bracket

- Load capacity 200 lbs per 2 brackets

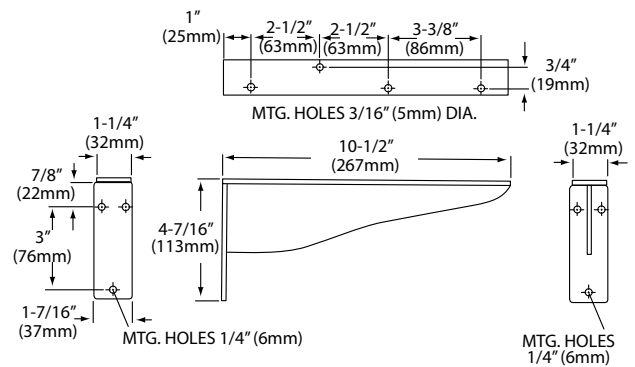


Part No.	X	Y	Z
J194960	4" (102mm)	4" (102mm)	4" (102mm)

Please note: All brackets above are manufactured from .170" (4.5mm) thickness material. All brackets above are stainless steel polished to satin finish.

### Stainless Steel Fixed Shelf Bracket

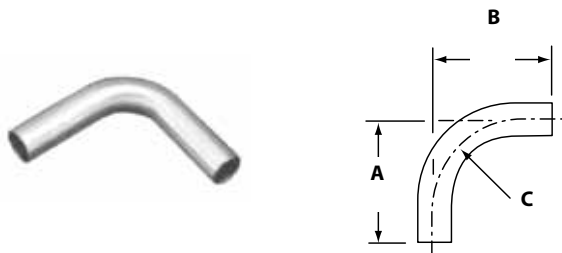
- Load capacity 200 lbs per 2 brackets



Part No. J194966

### Stainless Steel 90° Elbows

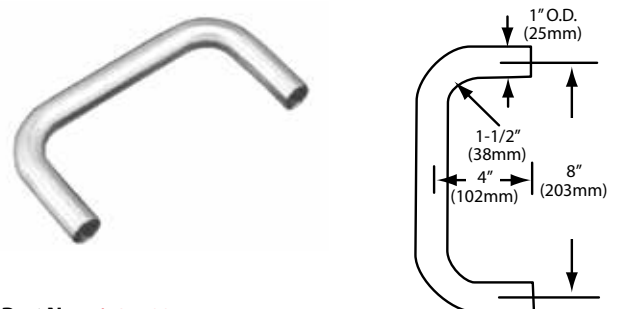
- 16ga (1.5mm) for 1" (25mm) dia. tubing
- Designed for rails, supports, etc.



Part No.	Dia.	A	B	C
J140117	1" (25mm)	4" (102mm)	4" (102mm)	11/2" (38mm)

### Stainless Steel U Bends

- 16ga (1.5mm) for 1" (25mm) dia. tubing
- Designed for rails, supports, trayslides
- Can be used with model no's J194960 & J194955 3 rail tray slide brackets



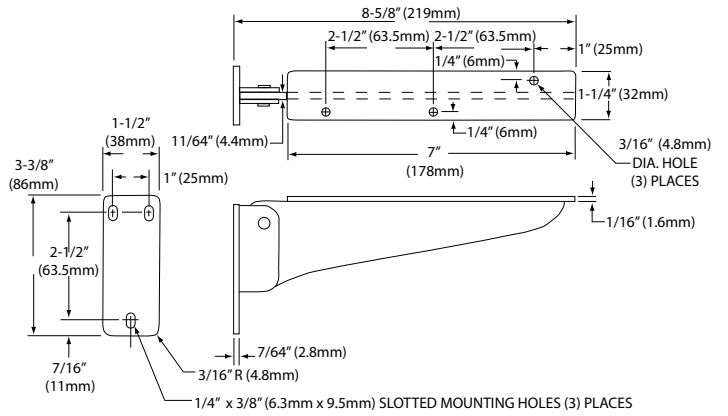
Part No. J134488

## Stainless Steel Fold Down Shelf Bracket

- Load capacity 200 lbs per 2 brackets



**Part No. J194967**



## Heavy Duty Folding Bracket

- Folds down when not in use
- Shelves easily removed for cleaning
- Zinc plated steel mount or 300 series stainless steel mount
- Load capacity 200 lbs per 2 brackets



**Part No. J174270**



**Part No. J174273**

Part No.	Description
J174270	Chrome plated die cast bracket 14ga (2mm) zinc plated steel mount
J174273	Chrome plated die cast bracket with 300 series stainless steel mount
J195000	S/S fold down removable shelf bracket



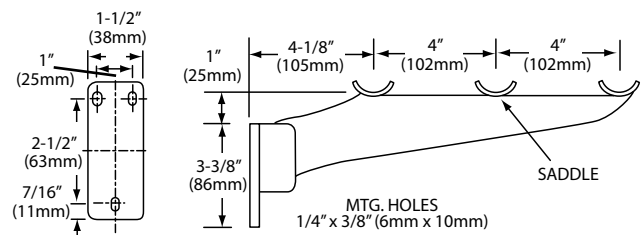
**Part No. J195000**

## Stainless Steel Fold Down 3 Rail Tray Slide Bracket

- Load capacity 150 lbs per 2 brackets
- For support of 1" (25mm) dia. rails



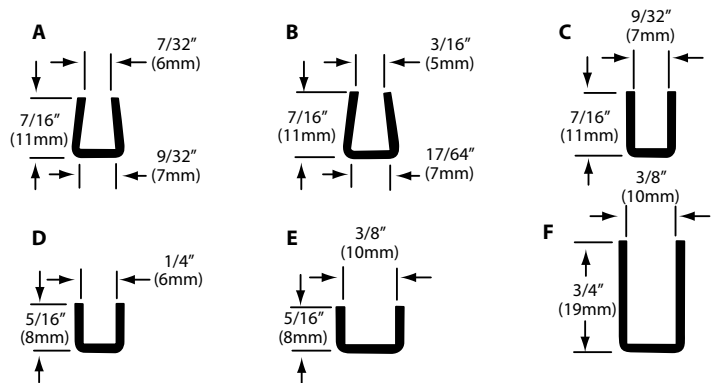
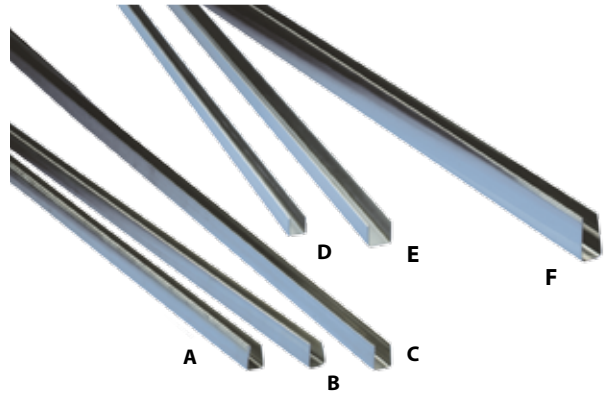
**Part No. J194955**



## Glass Capping, Cap Strips, Moulding & Dividers

### Stainless Steel Glass Capping

- Prevents chipping
- Provides secure fit
- Attractive finish



Ref.	Part No.	Stainless Steel Type	Gauge
A	B701001	300	.022 (.6mm)
B	B701002	300	.022 (.6mm)
C	B701003	300	.022 (.6mm)
D	B701005	400	.019 (.5mm)
E	B701007	400	.019 (.5mm)
F	B701008	400	.019 (.5mm)

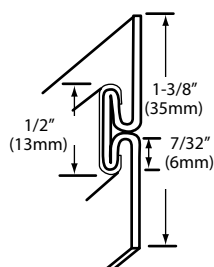
### Cap Strip & Divider Bar

- All stainless steel face galvanised back plate
- Accepts 1/16" (1.6mm) wall flashing material
- Satin finish
- Grain of finish matches wall lining



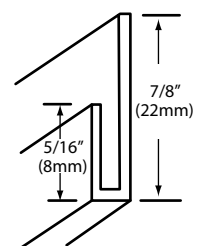
### Stainless Steel Divider Bar Galvanised Back Plate

Part No.	Length
J641450-8	8ft (2.4 m)



### Stainless Steel Cap Strip

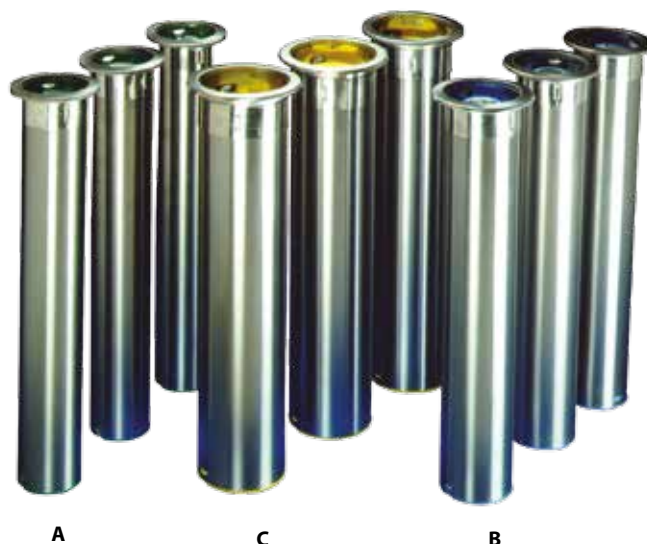
Part No.	Length
J631451-8	8ft (2.4 m)



# Cup Dispensers

## Stainless Steel Cup Dispensers

- All stainless steel construction satin finish 24 gauge
- Top loading with spring tension
- Low profile only 9/32" (7mm) protrusion above countertop
- Removable 1/4 turn releases dispenser from countertop
- Gasketed counter seal
- Wax and foam models



Ref.	Part No.	Type	Cup Size Dia. (Adj)	Cup Rim Dia. Required	Counter Hole Flange Dia.	Outer Length	O.A.
A	C3200CV	Vertical Mount (180 to 360 ml)	6 to 12 oz (56 to 81mm)	2 7/32" to 3 3/16" (110 mm)	4 3/16" 135 mm	5 3/8" (610 mm)	24"
	C3200CH	Horizontal Mount (180 to 360 ml)	6 to 12 oz (56 to 81mm)	2 7/32" to 3 3/16" (110 mm)	4 3/16" 135 mm	5 3/8" (610 mm)	24"
	C3200CF	Foam Cup (180 to 360 ml)	6 to 12 oz (56 to 81mm)	2 7/32" to 3 3/16" (110 mm)	4 3/16" 135 mm	5 3/8" (610 mm)	24"
B	C3400CV	Vertical Mount (360 to 720 ml)	12 to 24 oz (63 to 98mm)	2 1/2" to 3 7/8" (120 mm)	4 11/16" 150 mm	5 7/8" (610 mm)	24"
	C3400CH	Horizontal Mount (360 to 720 ml)	12 to 24 oz (63 to 98mm)	2 1/2" to 3 7/8" (120 mm)	4 11/16" 150 mm	5 7/8" (610 mm)	24"
	C3400CF	Foam Cup (360 to 720 ml)	12 to 24 oz (63 to 98mm)	2 1/2" to 3 7/8" (120 mm)	4 11/16" 150 mm	5 7/8" (610 mm)	24"
C	C3500CV	Vertical Mount (960 to 1380 ml)	32 to 46 oz (102 to 124 mm)	4" to 4 7/8" (145 mm)	5 11/16" 170 mm	6 3/4" (610 mm)	24"
	C3500CH	Horizontal Mount (960 to 1380 ml)	32 to 46 oz (102 to 124 mm)	4" to 4 7/8" (145 mm)	5 11/16" 170 mm	6 3/4" (610 mm)	24"
	C3500CF	Foam Cup (960 to 1380 ml)	32 to 46 oz (102 to 124 mm)	4" to 4 7/8" (145 mm)	5 11/16" 170 mm	6 3/4" (610 mm)	24"

Please note: Vertical cup dispensers operable up to 45°.

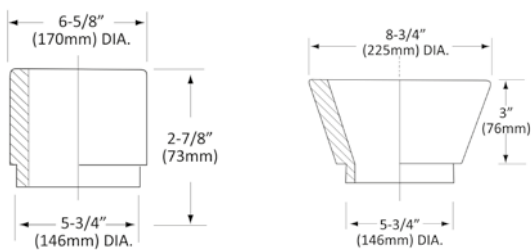
## Scrap Rings

### Solid Grey Rubber Rings

- Fits standard 5-3/4" dia. opening



Part No. J929360 / J925000

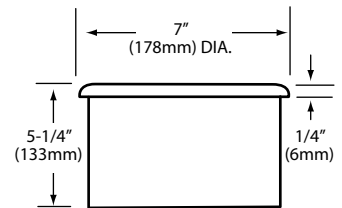


### Stainless Steel Scrap Shute

- Fits standard 6" (152mm) dia. opening



Part No. J921000/01



### Stainless Steel Dipperwell Assembly

- Fits standard 6" (152mm) dia. opening
- Type 18-8 stainless steel inner and outer shell
- 9-1/2" (241mm) overall length
- Complete with stainless steel drain and 1-1/2" (38mm) O.D. x 4" (102mm) long brass nickel plated tailpiece



Part No.	Description
K301000	Without faucet
K301010	With faucet
K223100	Faucet only

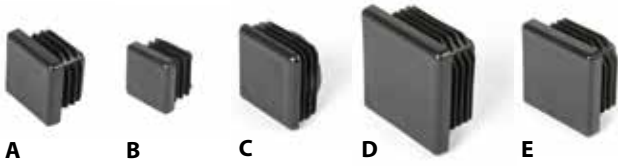
### Gastronorm Containers

Die-Pat stocks a range of gastronorm stainless steel containers. Please call our sales team on 01327 311144 for further information.



## End Caps

### Black Thermoplastic Square End Caps



Ref.	Part No.	Tube Size
A	IN1	25mm
B	IN2	20mm
C	IN3	30mm
D	IN4	40mm
E	IN125	1-1/4"

### Black Thermoplastic Round End Caps



Ref.	Part No.	Tube Size
A	IN1RD	1
B	IN125RD	1-1/4"
C	IN150RD	1-1/2"

### Nickel Plated Steel End Cap



Part No.	Tube Size
J160201	1" (25mm)

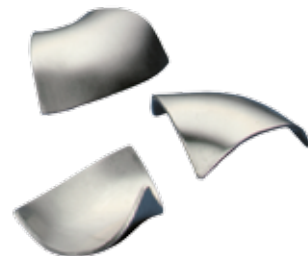
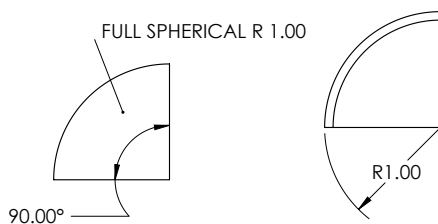
### Brass Nickle Plated Finishing Ring



Part No.	Description
J864300	To suit 22mm dia. hole
J864301	To suit 25mm dia. hole

## Corner Inserts

### Stainless Steel Corner Inserts



Part No.	Description
J704801	Triangular insert 14ga (1.8mm)



# Electrical Components



---

# Electrical Components

Brass Glands & Ferrules for Elements	167
Ceramic Heaters	156
Controls & Knobs	164
Energy Regulators	159
Infrared Heat Lamps & Accessories	153-155
Gantry Shades & Lamps	155
Limiters, Single & Triple Pole	161
Ring Elements	167
Shaded Pole Fans	168
Straight Rod Elements	166
Switches	162-163
Digital Temperature	162
Thermocouple Temperature	163
Thermostats	160
Tubular Heating Elements	165-167
Variable Phase Power Regulators	156-158

---

Please order by 4pm for next day delivery.  
Timed and special deliveries can also be arranged.

# Electrical Components

Die-Pat Divisions Limited Electrical Components brochure covers a vast range of heat lamps, heaters, thermostats, energy regulators, elements, heater pads and hot plates as detailed below. We have a large amount of stock available for immediate delivery.

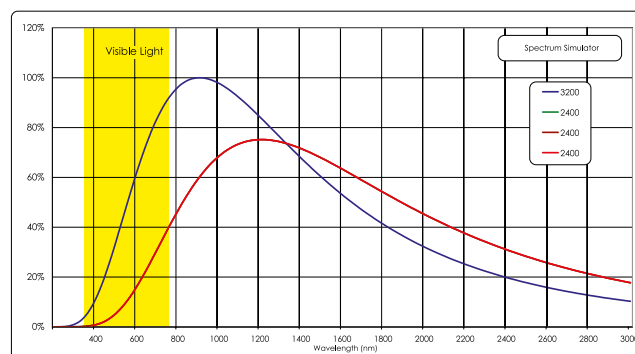
## Infrared Low Pressure Heat Lamps

### What is Infrared (IR) radiation?

Infrared radiation is part of a broad electromagnetic spectrum, its wavelength is longer than that of visible light but shorter than that of microwave radiation and passes through space in the form of electromagnetic waves. Like light it can be reflected and focused and does not require air for transmission and is converted to heat upon absorption by the subject which is a safe process.

### What is a Halogen lamp?

A Halogen lamp is a gas filled filament lamp. Its gas consists of not only inert gas, which is commonly used in gas filled lamp technology, but also a trace of Halogen material. Conventional incandescent lamps lose their flux gradually during operation due to tungsten vapour deposits condensing on the inner bulb surfaces (blacking phenomenon). Infrared lamps do not suffer this because of the Halogen cycle that increases the life of the lamp. Halogen gas is added to the inert gas in the lamp and as the heater operates, tungsten slowly evaporates from the filament and combines with the halogen to create tungsten halide. As the tungsten halide touches the filament, the heat separates the halide into tungsten and halogen gas and re-deposits the tungsten back on the filament. The freed halogen gas then repeats the cycle.



The high density infrared tungsten wire filament in the lamp produces energy and this wire comes in different diameters according to the output required, and is supported by tungsten wire rings. The support prevents the filament from coming into contact with the quartz envelope and causing it to fail. The exterior of the quartz glass must be cleaned before any power is supplied to the lamp, as any residue or salt deposit (perspiration) on the envelope will absorb energy or react with the quartz and cause premature lamp failure.

Try various temperature

Theoretical Power Spreads in UV/VR/IR

Wavelength nm	Tc : Color Temperature (K)				
	3200	2400	2400	2400	
- 380	0%	0%	0%	0%	UV
380 - 780	16.5	5.2%	5.2	5.2%	VR
780 - 1,000	16%	9%	9%	9%	IR
1,000 - 1,500	29%	26%	26%	26%	
1,500 - 2,000	16%	20%	20%	20%	
2,000-	23%	39%	39%	39%	
TTL	100%	100%	100%	100%	
Peak Wavelength nm	906	1,208	1,208	1,208	

Peak wavelength λ [nm] = 2898000 / Tc [K]  
where Tc = Color temperature in Kelvin



The rated life for short 300w R7 infrared heat lamps is 5000 hours and has a colour temperature of 2200 Kelvin as against the high colour temperature bulbs being over 3400 Kelvin having a lot shorter life span. Die-Pat's short bulbs 118mm are all low pressure and even when operating will stay below 1 bar pressure but some of the high colour temperature bulbs can attain pressures of 2.5 bar. All our lamps are rated at 230/240 volts, operating lamps in excess of the rated voltage will reduce the lamp life.

## Jacketed Low Pressure Infrared Lamps

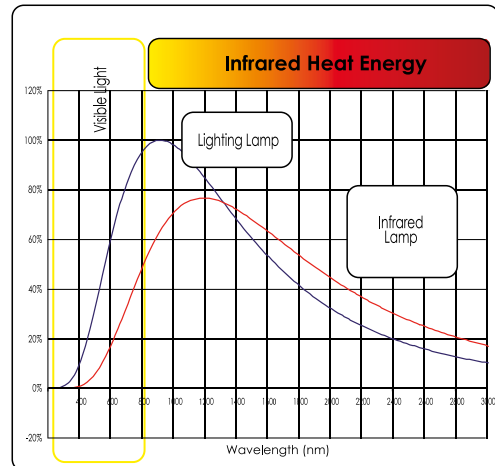
Die-Pat's Jacketed Low Pressure Lamps are specially designed for food warming application. Fig.1 shows how our infrared lamps efficiently generate more Infrared Heat Energy but less visible light than a classical lighting lamp. These are not only Low Pressure infrared lamps, they are also jacketed by a 20mm diameter clear quartz sleeve:

- For anti-shattering protection against quartz pieces by an accidental break of the heater inside.
- To avoid chemical attacks over heater tubes to maintain good performance.
- To protect the infrared lamps from unexpected thermal shock such as splashed water or foods.



The protection by clear quartz sleeve more securely ensures long life as well because of no direct contamination in a infrared lamp inside from splashed sodium contained in foods. When such splashed sodium goes directly onto infrared lamp without protection being operated at high temperature, devitrification phenomenon is caused on quartz tube glass. Devitrification deteriorates not only quality of quartz over time, but also lifetime of infrared lamp itself. Die-Pat's jacketed low pressure infrared lamps protected by clear quartz sleeve therefore bring benefits of;

- More secured against thermal shock.\*
- More durable against devitrification and mechanical shock.\*



- Warming foods or objects and NOT the air in between.
- Low maintenance and long life 5000h on average.
- No warm-up time required, switched on-off within a second.
- Silent and odourless.

\*Internal comparison with unjacketed IR lamp

Die-Pat's jacketed low pressure infrared lamps are therefore the best suited for both warming and displaying in catering operation.



## Infrared Heat Lamp Assemblies



Part No.	Description
DPJ300WS/ASS/01	Jacketed short 300 watt infrared low pressure heat lamp assembly

Part No.	Description
DP300WS/ASS/01	Non-jacketed short 300 watt infrared low pressure heat lamp assembly



Part No.	Description
DPJ500WL/ASS/01	Jacketed long push in 500 watt infrared heat lamp assembly

Part No.	Description
DP300WS/ASS/01	Non-jacketed short 300 watt infrared low pressure heat lamp assembly
DPJ300WS/ASS/01	Jacketed short 300 watt infrared low pressure heat lamp assembly
DP300WS/ITH/ASS/01	Non-jacketed short 300 watt infrared low pressure heat lamp assembly with Italian holder
DPJ300WS/ITH/ASS/01	Jacketed short 300 watt infrared low pressure heat lamp assembly with Italian holder
DPJ300WL/ASS/01	Jacketed long push in 300 watt infrared low pressure heat lamp assembly
DPJ500WL/ASS/01	Jacketed long push in 500 watt infrared low pressure heat lamp assembly
DP200WS/ASS	Non-jacketed short 200 watt infrared low pressure heat lamp assembly

# Heat Lamps



Part No.	Description
DP300WS/01	Non-jacketed push in 300 watt low pressure infrared heat lamp – 118mm



Part No.	Description
DPIRJ300W118R7S/01	Jacketed push in 300 watt low pressure infrared heat lamp – 118mm



Part No.	Description
DPIRJ500W219R7S	Jacketed long push in 500 watt infrared heat lamp – 219mm

Part No.	Description
DP200WS	Non-jacketed push in 200 watt low pressure infrared heat lamp – 118mm
DPIRJ500W219R7S/01	Jacketed long push in 500 watt infrared heat lamp – 219mm
DPIRJ300W219R7S/01	Jacketed long push in 300 watt infrared heat lamp – 219mm
DPIRJ300W225W	Jacketed long wired 300 watt infrared heat lamp – 225mm

## Heat Lamp Accessories



**Part No.** R7-300W Holder HA



**Part No.** R7-300W Reflector HA



**Part No.** A-R7300



**Part No.** DP500FTG/02

Part No.	Description
R7-300W Reflector HA	300 watt smooth heat lamp reflector
R7-300W Holder HA	300 watt heat lamp holder
A-R7300	300 watt Italian heat lamp holder
DP500FTG/02	300/500 watt heat lamp holder for push in lamps

## Gantry Shade & Lamps

Part No.	Description
5925	250 watt hard glass bulb with Edison screw – clear
5931	Heat lamp gantry shade in anodised copper



**Part No.** 5931



**Part No.** 5925

## Ceramic Heaters



**Part No. FTE300**



**Part No. FTE500FF**

Part No.	Description
FTE300	300 watt infrared curved ceramic heater
FTE500	500 watt infrared curved ceramic heater
FTE500FF	500 watt infrared flat faced ceramic heater
FTE1000	1000 watt infrared curved ceramic heater

## Variable Phase Power Regulators

- Integral RFI network
- On/off switch variable
- Single hole mounting
- Rugged and compact
- Designed to maximise thermal dissipation



**Part No. DPVRF1/H/2**



**Part No. DPVRF1/H/3**

*Note: Mounting a 10 mm hole is required to accept mounting bush.*

Part No.	Description
DPVRF1/H/2	Plug-in power connector block with push-fit connections
DPVRF1/H/3	Plug-in power connector block with screw terminal connections
DPVRF1H/UC	Slimline plug-in power regulator



## DPVRF1/H/2 & DPVRF1/H/3 Regulators

DPVRF1/H/2 and DPVRF1/H/3 are variable phase angle power regulators for controlling single-phase mains power. They have a fully adjustable voltage output from 0 to 99% and is capable of handling high inrush currents safely.

Each unit incorporates an integral RFI filter network and is suitable for most quartz lamps and conventional resistive heating elements. No additional heat sinks are required.

It is recommended that each unit be protected by a fuse or MCB to current I.E.E. regulations.

This product family also carries a "CE" mark and incorporates a filter (Standard type to emission levels BS EN 55022 Class A – Industrial) to address the EMC directive.

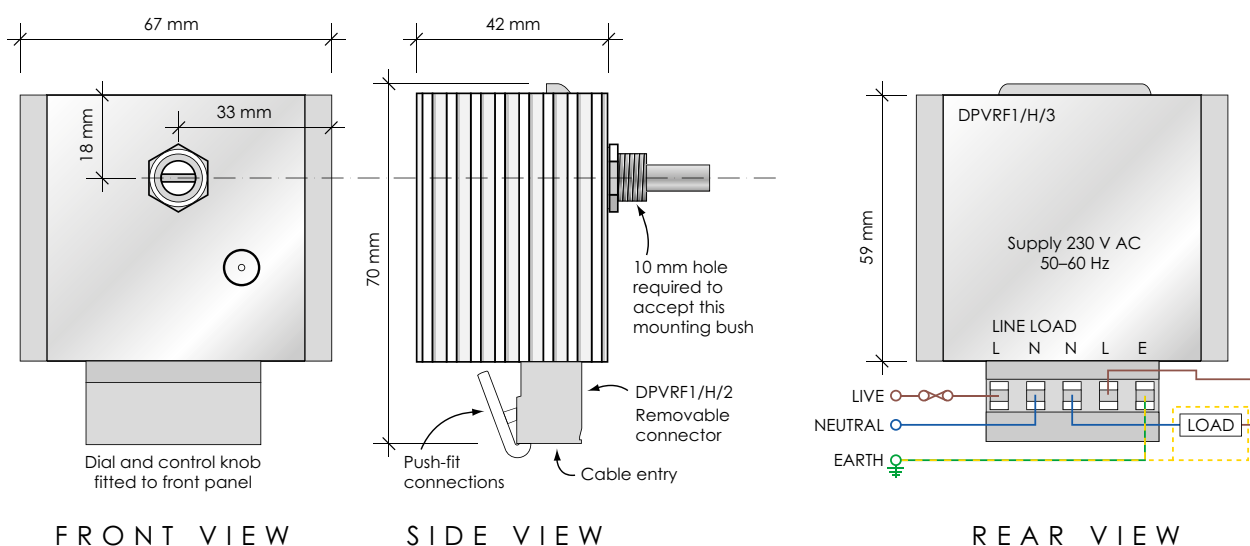
For more information, please contact our sales department.



Part No. DPVRF1/H/2 Push in



Part No. DPVRF1/H/3 Screw in



### Specifications

- Triac limiting RMS. On state cycle: 40A
- Peak one cycle surge @ 20ms: 400A
- Max forward volts drop: 10A
- Max load at 20°C ambient (no extra heatsink): 15A
- Max unit operating temperature: 150°C
- Insolation voltage: 2500 V nms
- I2t limiting value for fusing: 880 A2S
- Unit limiting RMS. On state current: 15A
- Operating voltage range: 0-220V
- Mains supply tolerance: +/- 10%
- Mains frequency: 50/60 Hz
- Unit storage temperature range: 0°C to + 65°C
- Shaft diameter: 6mm
- Bush length: 7mm
- Shaft projection from bush: 8mm
- Fixing hole diameter: 10mm

Warning: Live terminals – switch off supply before commencing any service work.

## DPVRF1H/UC Switch

This is a Phase Angle Power Regulator, designed for single-phase 230VAC.

The load current can be up to a maximum of 17A. The module gives full adjustment of the output voltage from 0 to 98% of the load (scale plate included). An in-house large triac enabled the unit to handle high inrush currents. Easy front panel mounting via a single hole and locknut arrangement.

These units incorporate their own RFI filter network to comply with EMC Regulations (Class A).



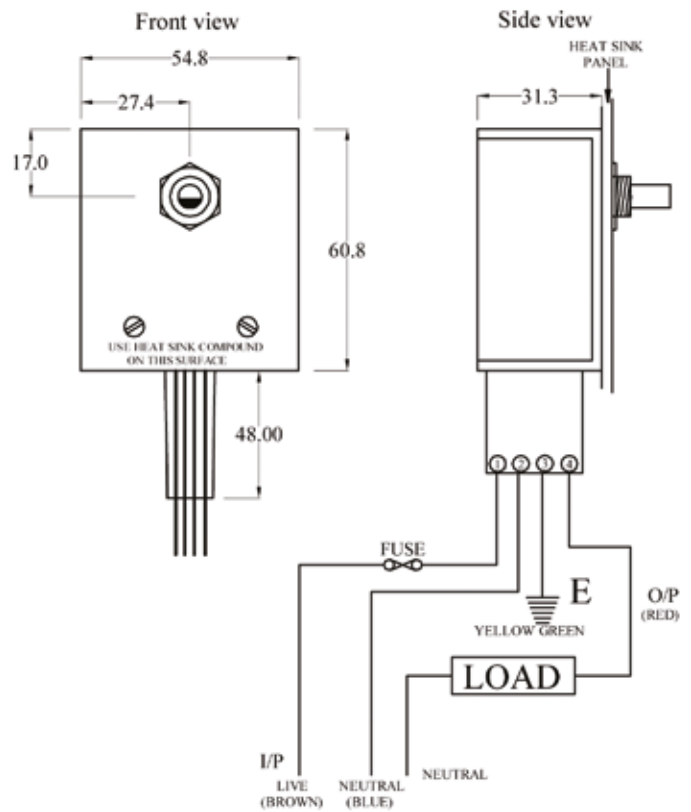
Please note: Brown colour wire – Live. Blue colour wire – Neutral. Yellow/Green colour wire – Earth. Red colour wire – Load.

### Features

- Output variable from 0 to 98%
- Load current up to 17A\*
- On/off switch included
- Easy installation
- Integral RFI network

### Applications

- Quartz lamps
- Resistive heating elements
- Oven heaters
- Industrial dryers



\* If load current is more than 5A@70°C, then suitable external heat sink is necessary.

All dimensions are in mm.

### Specifications

- Max. load at 20°C ambient (no extra heatsink): 10A
- Max. load at 20°C ambient (with external heat sink): 17A
- Switching device: Triac
- Max. off state leakage current (RMS): 10.0mA
- Max. on state voltage drop (RMS): 3.5 VAC
- Min. load current to maintain 'On': 80mA
- Surge current peak (ITSM) @tp = 10msec & Tj = 25°C: 250A
- Transient protection (static dv/dt not to exceed blocking voltage): 250 V/μSec
- Blocking voltage (peak-VDRM): 800VAC
- Storage temperature: -40°C to +100°C

## Energy Regulators

E.G.O. Energy Regulators (series 50.57) have been developed to provide infinitely variable input control of single-circuit elements. Designed around the latest platinum substrate technology they are compact, high quality products for use in a variety of applications including microwave ovens, grills, hob units and Bain Marie.

Independent of the application the product dimensions and principal operation mode remain the same. The differing requirements for each application are met by the individual performance curves in each case.

E.G.O. Energy Regulators are provided with a snap-action switch actuated by a heat bimetal strip. The switch periodically connects and disconnects the element.

Energy regulators control the temperature by switching the power on or off at longer or shorter intervals. The output is continuous at the highest setting. Energy regulators are installed immediately behind the control knob. They essentially consist of a heated bimetallic strip and a snap-action mechanism, i.e. a switch spring with a contact.

When the heating element is switched on, the bimetallic strip is heated, allowing current to flow in parallel to the heating resistor of the cooking zone. This heats up the bimetallic strip, which changes shape and triggers the relevant contact.

When the position of the control knob changes, the distance between the bimetallic strip and the regulator contact is also changed by a cam disc. The energy regulator allows the current to flow for longer or shorter intervals according to the size of this gap.

### Controlling the output

The E.G.O. energy regulator is infinitely variable in the range between 6 and 70% of nominal output. At the highest setting, the heating is switched on continuously and the output is 100% of the nominal output.

Long ON periods and short pauses between heating bursts mean higher output, as needed, for heat-up and for frying, for example. Short ON Periods and longer pauses between heating bursts mean a lower output for simmering, for example.



Part No. 50.57076.070



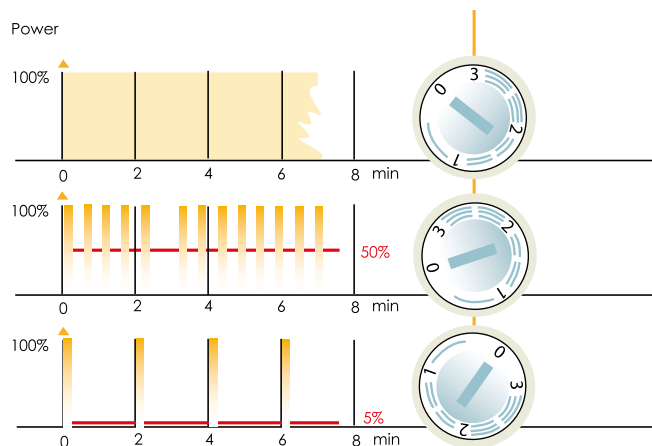
Part No. 50.57071.010



### Infinitely variable output

With infinitely variable setting, the heat output can be matched particularly well to different cooking processes and quantities of food. The cooking zone can be heated with one or more heating coils or elements. Control knobs are usually labelled as follows:

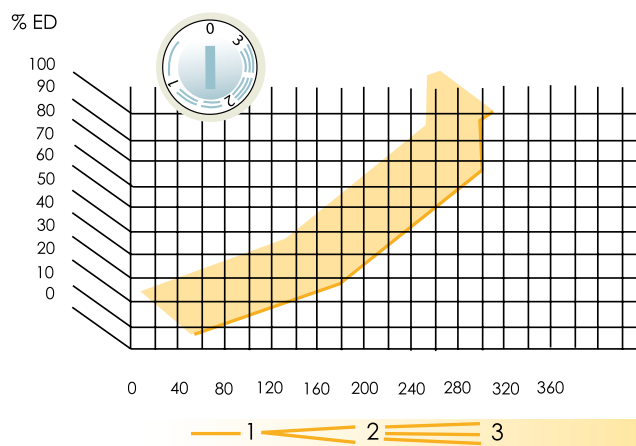
- 0 to 3
- 0 to 9
- 0 to 12



### Output Curves

If the controlling power range of a cooking zone is known, then the corresponding output can be accurately calculated for every control knob position. The "output curve" for an energy regulator clearly shows the average ON period for every control knob setting as a percentage of continuous duty (100%).

Output curves enable comparable settings to be found for different hot plates and control knob markings.



E.G.O.'s extensive range of energy regulators enables a variety of functions and features to be offered for example, energy regulators with automatic heat up or energy regulators with auxiliary switch for connecting the second circuit of double-circuit radiant heating elements.

Energy regulators are voltage-dependent, i.e. they must be designed for the same nominal voltage as the appliance to be controlled.

Part No.	Description
50.57071.010	13A 240v 52 – 308 (clockwise gradient 2 screw fixing) 2 x M4
50.57076.070	13A 240v 75 – 285 (clockwise gradient) central nut

## Thermostats

The principle by which our thermostats operate is that of liquid-expansion. The hydraulic thermal system, also called 'diastat', consists of the sensor, the capillary tube and the diaphragm. When the sensor heats up, the liquid expands through the capillary tube into the diaphragm where a working stroke is produced. By this working stroke a snap-action switch is actuated which opens or closes the circuit. These thermostats are intended to regulate the temperatures of liquids, gases and solids.

### Typical applications of E.G.O. Thermostats

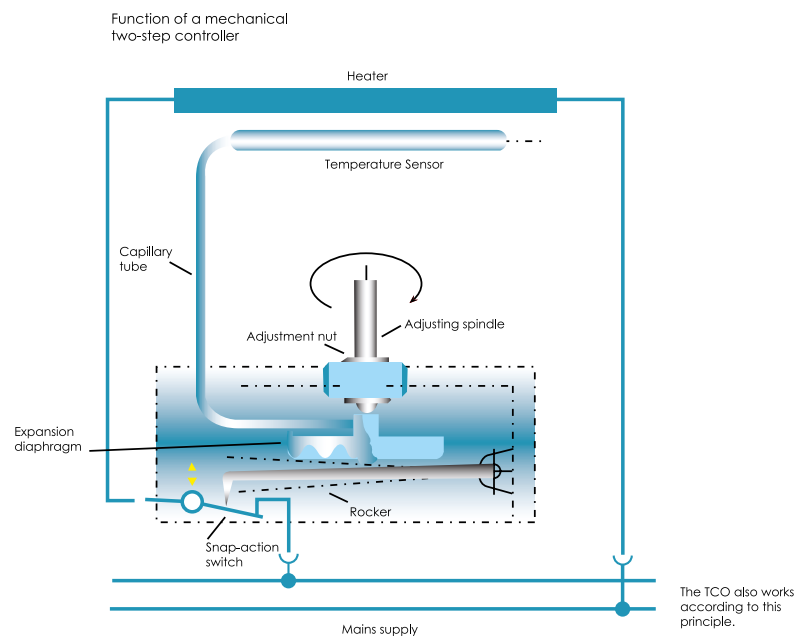
- Domestic and commercial electric ranges
- Domestic and commercial electric ovens
- Hot cupboards
- Deep fat fryers
- Boilers
- Storage water heaters
- High temperature water heating appliances
- Dishwashers

### Fields of use

Using stainless steel as the material for sensors and the flexible capillary tube make the thermostats particularly well suited for the high ambient temperatures that occur in ovens.

Series 55.17 was developed specifically for use in standard ovens. Multi-pole series for various functions are available. The usual temperature range is 50°C-320°C.

Thermostats for temperatures of up to approximately 500°C are offered by E.G.O. for installation in ovens with self-cleaning feature. Rod thermostats are also available for these ovens.



## Single Pole & Triple Pole Limiters



**Part No. 55.18012.010**



**Part No. 55.13212.370**



**Part No. 55.13624.010**

Part No.	Description
55.18012.010	30°-85°C single pole thermostat. Capillary length: 870mm, sensor size: ø6mm x 147mm long
55.13212.370	82°-93°C single pole thermostat (C/O). Capillary length: 830mm, sensor size: ø6mm x 147mm long
55.13624.010	30°-110°C single pole thermostat, with Auxiliary switch. Capillary length: 1430mm, sensor size: ø6mm x 113mm long
55.13222.210	30°-120°C single pole thermostat. Capillary length: 830mm with gland, sensor size: ø6mm x 73mm long. Includes 400mm PVC sleeve
55.13229.060	50°-105°C single pole thermostat. Capillary length: 2380mm with gland, sensor size: ø3.03mm x 201mm long. Includes 2200mm PVC sleeve
55.18022.010	30°-110°C single pole thermostat. Capillary length: 870mm
55.13223.010	30-110 degree C single pole thermostat. Capillary length 1130mm



**Part No. 55.13222.210**



**Part No. 55.13229.060**



**Part No. 55.18022.010**



**Part No. 55.13223.010**

Please note: A range of single and triple pole capillary thermostats are available upon request.

# Digital Temperature Switch Series TS2

## Easy Multi-Unit Programming, 16A SPDT Relay Output

Monitor and control temperature for heating and cooling applications with the series TS2 Digital Temperature Switch. The Series TS2 offers 12 programmable functions to customise the unit to fit application requirements.



Use the 16(5) amp SPDT relay output to drive a motor, compressor or fan. Designed with the OEM in mind, the TS2 offers the ability to configure multiple units with the touch of a button.

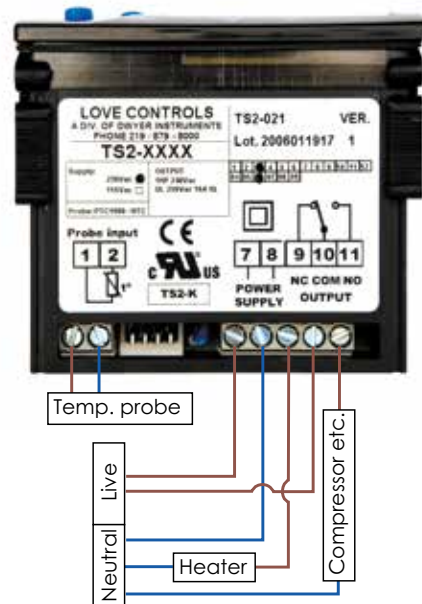
Programming multiple units is quick and easy. Simply program one switch with the desired parameter settings and connect the configuration key (sold separately TS2-K Key) to the back of the unit. Press the button on the configuration key and download the parameter settings. Connect the key to the other switches to upload the stored settings with the push of a button.

The TS2 features set point adjustments, static defrost timing, compressor mean time, hysteresis and ambient probe adjustment. Security protection is offered using a password code. The TS2 Digital Temperature Switches are designed to operate with the PTC (1000Ω @ 25°C).

## Specifications

- Probe Range: -50°C to 150°C (-58° to 302°F)
- Input: PTC thermistor 1000Ω @ 25°C
- Output: 16A SPDT relay @ 250VAC resistive, 5A inductive
- Horsepower rating (HP): 3/4 HP
- Control Type: ON/OFF
- Power Requirements: 110VAC, 230VAC or 12VAC/VDC (depending on model)
- Accuracy: +1% FS
- Display: 3-Digit, Red 12.7mm digits
- Resolution: 1°
- Memory Backup: Nonvolatile memory
- Ambient Operating Temperature: -10°C to 55°C
- Storage Temperature: -20°C to 80°C
- Weight: 2.3oz (65g)
- Front Panel Rating: NEMA 4X (IP65)
- Key Input: TS2-K Key

Part No.	Description
TS2-KLT11D	Digital control
TS2-K	Remote configuration key
TS-5	5m length cabled probe



## Thermocouple Temperature Switch

### Heating & Cooling Control, 15 Amp Rating, Two Alarms

Monitor and control temperature for heating and cooling applications with the series TCS Thermocouple Switch.



The series TCS offers a wide temperature range, two selectable alarm sets and an internal buzzer indicating alarm sets and an internal buzzer indicating alarm condition or error. The user can define the set point, heating/cooling regulation, cycle time, alarm configuration, load status and ambient probe adjustment.

The thermocouple switch features password protection and error/ alarm messaging. Temperature and output status is indicated on the bright red LED display.

Use the configuration key (sold separately) to quickly program multiple units. The series TCS includes a fitting clip for panel mounting, gasket, rear terminal cover and instruction manual.

### Specifications

- Probe Range: 0°C to 700°C for thermocouple J. 0°C to 999°C for thermocouple K
- Input: Type J, K or SS thermocouples (depending on model)
- Output: 15A SPDT relay @ 250VAC resistive
- Horsepower rating (HP): 3/4 HP
- Control Type: ON/OFF
- Power Requirements: 110VAC, 230VAC or 12VAC/VDC (depending on model)
- Accuracy: +1% FS
- Display: 3-Digit, Red 12.7mm digits, plus sign
- Resolution: 1°
- Memory Backup: Nonvolatile memory
- Ambient Operating Temperature: -10°C to 55°C
- Storage Temperature: -20°C to 80°C
- Weight: 2.3oz (65g)
- Front Panel Rating: NEMA 4X (IP65)

### Applications

TS Digital Temperature Switches are suitable for industrial chillers, environmental chambers, walk-ins and freezers, heat sealers, sterilisers, beer and wine chillers, coolers, display cases and cabinets, meat and produce storage, floral preservation, refrigeration transportation, laboratories, food service equipment, ovens and dryers, tobacco preservation, cool rooms, burns-in rooms and chambers.

Part No.	Description
TCS-4021	Type J input, 230v, 0°C-700°C
TS4021	Type K input, 230v, 0°C-999°C

*Other voltages on request.*



# Controls & Knobs



Part No.	Description
524.886	Black control knob marked 0°C to 50°C



Part No.	Description
524.804	Black control knob marked 30°C to 90°C



Part No.	Description
524.805	Black control knob marked 30°C to 110°C



Part No.	Description
524.010	Black control knob 41mm diameter marking 0-1-2-3



Part No.	Description
524.176	Black control knob marked 50°C to 300°C



Part No.	Description
524.007	Black control knob marked 0-1-2-3



Part No.	Description
524.006	Black control knob marked 0-1-2-3-4-5-6



Part No.	Description
524.353	White control knob marked 0-1-2-3



Part No.	Description
524.235	Black control knob marked ON-1-2-3-4-FULL, to be used with Energy Regulator 50.57076.070



Part No.	Description
524.083	Black control knob no markings



Part No.	Description
67.62105.000	Pressed chrome plated bezel

Please contact our sales department for alternative control knobs.



## Tubular Heating Elements

EGO tubular heating elements are suitable for heating gaseous media or solids. They can be directly or indirectly allocated to the medium to be heated. As they can be shaped as desired, they can be perfectly adapted to the specific application. And very often they are the best choice for state-of-the-art appliances.

### Design

A protected-type heating coil is embedded in highly compressed magnesium oxide at the centre of a tubular metal shell.

### Shaping

Straight heating tubes are shaped into tubular heating elements as required for the application. Standardised bending radii will simplify manufacturing.

### Electric Values

All wattages and voltages are possible, provided the resistance is within the prescribed limits and the tube shell temperature allowed for the respective use as a function of the surface load is not exceeded.

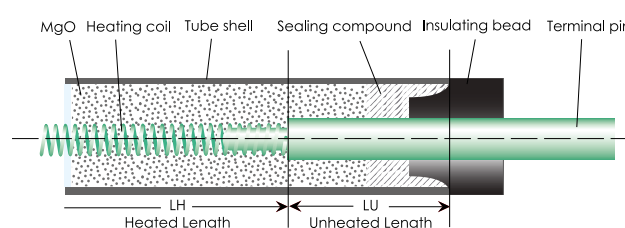
### Tubular Heating Elements for convection ovens

These tubular heating elements are designed for household and commercial ovens with hot air circulation. Because of the high load density, this tubular heating element should only be operated with the fan running.

*Special formed elements available to order*



Configuration of a tubular heating element



Part No. FSE-3000-01/01



## Straight Rod Elements

Part No.	GSL	Description	Feet
20.25000.420/02	3605	500 watt, 240 volt Straight Rod Element. Ø8.0mm x 915mm (36 inches)	3ft
20.25000.440/01	4810	1000 watt, 240 volt Straight Rod Element. Ø8.5mm x 1219mm (48 inches)	4ft
20.25000.444/02	4815	1500 watt, 240 volt Straight Rod Element. Ø8.0mm x 1219mm (48 inches)	4ft
20.25000.450/02	6010	1000 watt, 240 volt Straight Rod Element. Ø8.0mm x 1524mm (60 inches)	5ft
20.25000.451/02	6015	1500 watt, 240 volt Straight Rod Element. Ø8.0mm x 1524mm (60 inches)	5ft
20.25000.460/02	7210	1000 watt, 240 volt Straight Rod Element. Ø8.0mm x 1829mm (72 inches)	6ft
20.25000.461/02	7215	1500 watt, 240 volt Straight Rod Element. Ø8.0mm x 1829mm (72 inches)	6ft
20.25000.463/02	7220	2000 watt, 240 volt Straight Rod Element. Ø8.0mm x 1829mm (72 inches)	6ft
20.25000.464/02	7205	500 watt, 240 volt Straight Rod Element. Ø8.0mm x 1829mm (72 inches)	6ft
20.25000.501/01	9615	1500 watt, 240 volt Straight Rod Element. Ø8.5mm x 2439mm (96 inches)	8ft
20.25000.502/01	9620	2000 watt, 240 volt Straight Rod Element. Ø8.5mm x 2439mm (96 inches)	8ft
20.25000.504/02	9630	3000 watt, 240 volt Straight Rod Element. Ø8.0mm x 2439mm (96 inches)	8ft
20.25000.512/02	12020	2000 watt, 240 volt Straight Rod Element. Ø8.0mm x 3048mm (120 inches)	10ft
20.25000.514/01	12030	3000 watt, 240 volt Straight Rod Element. Ø8.5mm x 3048mm (120 inches)	10ft
20.25000.520/02	14430	3000 watt, 240 volt Straight Rod Element. Ø8.0mm x 3658mm (144 inches)	12ft
FSE-3000-01/01		Steam element 3 kw 240 volt	

Please note: When all 8.5mm dia elements have been sold, they will be replaced with 8mm dia.

## Two, Three Ring & Other Elements

Part No.	Description
20.17983.040	1250 watt, 240 volt Fan Oven Element (Two Ring)
20.35390.010/01	2500 watt, 240 volt Fan Oven Element (Three Ring)
20.35390.050	1800 watt, 240 volt Fan Oven Element (Three Ring)
20.35390.060	1000 watt, 240 volt Fan Oven Element (Three Ring)
20.40262.000	3000 watt, 240 volt Universal Fryer Element

## Brass Glands & Ferrules For Elements



Part No. CF87MM



Part No. CF81MM



Part No. BPT4BA

Part No.	Description
CF81MM	Brass gland with compression fitting to suit 8mm diameter elements (ferrules)
CF87MM	Brass gland with compression fitting to suit 8.5mm diameter elements (ferrules)
BPTM4/01	Brass pillar Terminal M4 to suit /01 elements Ø8.5mm (ferrules)
BPT4BA	Brass pillar Terminal M4 to suit /02 elements Ø8.0mm (ferrules)

# Shaded Pole Fans

Shaded Pole fans offer high performance, low noise and durability.

Shaded Pole fans are constructed from a metal die-cast body (spider) and offered in a number of design configurations. Fitted to the body construction is the coil, with standard 6.3mm x 0.8mm terminal connections. The body section is completed by incorporating the bearing race and a small cooling fan located on the fan blade shaft.

All fans can be offered with either ball bearing or linear sleeve rollers. Applications include hot cabinets, control panel compartments, commercial ovens and airflow cavities.



**Part No. C20X0E01/36CL.H**

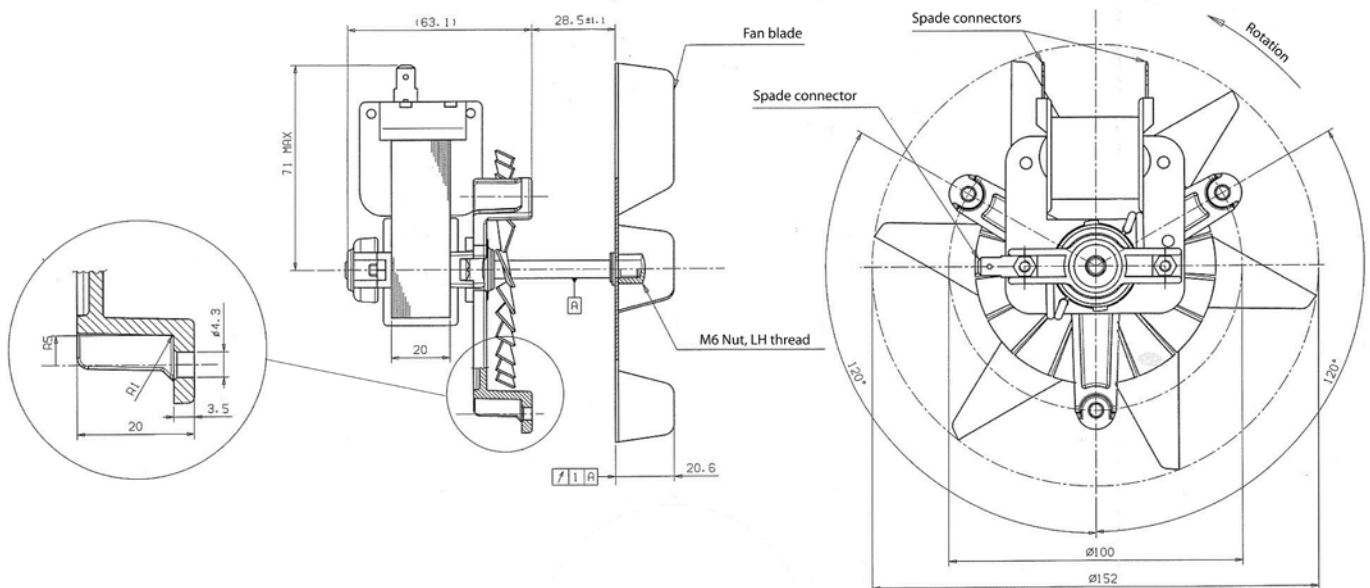


**Part No. TP-1** Optional fixing plate

Part No.	Description
C20X0E01/36CL.H	Shaded pole fan
TP-1	Triangular fixing plate

## Specifications

- Rating: 220-240 volts
- Frequency: 50/60 Hz
- Motor power: 32 W
- Operating temp: Ball bearing: -40°C to 70°C
- Sleeve bearing: -20°C to 70°C
- Life expectancy: Ball bearing: over 40,000 hrs (at 40°C)
- Sleeve bearing: 15,000 hrs (at 40°C)
- Safety approval: UL, CUL, CSA and VDE



All dimensions are in mm.



# Fabrication Supplies



# Fabrication Supplies

Abrasive Pads	173
Acid Brushes	172
<hr/>	
Caulking Gun	171
<hr/>	
Deburring Tool	172
<hr/>	
Heat Transfer Compound	171
<hr/>	
Silicone Sealant	171
Sound Deadener Latex	171
Sound Pads	173
<hr/>	
Thermal Mastic	171
Tuff Brake Film	173
<hr/>	
Wire Brushes	172
<hr/>	

Please order by 4pm for next day delivery.  
Timed and special deliveries can also be arranged.

## Sealants & Compounds

### Silicone Sealant 10.3oz (305ml) Cartridge

- Fits all standard caulking guns including the M90-CG
- FDA approved
- UL recognised
- Meets FDA extraction requirement no. 21 cfr177.2600
- Supplied with a removable tip



Part No.	Colour	Max. Temp.
M901010	Clear	232°C
M901012	Aluminium	232°C
M901014	White	232°C
M901016	Black	232°C
M901018	Red (Hi Temp)	315°C

### Thermal Mastic Heat Transfer Compound

- Replaces solder for heat transmission
- Stable at all working temperatures

Part No.	Description	Size
Q771000	Thermal mastic coating	305ml tube cartridge
Q771240	Thermal mastic coating	3.7 litre container
Q771250	Thermal mastic coating	19 litre container
Q771260	Thermal mastic coating	200 litre container

#### Notes

- Thermal mastic is used wherever rapid heat transmission is desired, between coils and liners, between liquid and suction line heat exchangers

### Latex Sound Deadener

- For sheet metal resonance, damping and noise control
- Smooth flowing Latex Sound Deadener is prepared specifically for brush and spray application
- Material is non-aging, does not become brittle and may be painted when dry

Part No.	Description	Colour
Q75-1366	3.7 litre container	Light grey

#### Notes

- 3.7 litres covers approximately 2.8-4.6 sq. metres (30-50 sq. ft) depending on application

### Caulking Gun

- Mild steel plated pressed steel design
- Handle acts as ratchet as well as nozzle cutter
- Swivel pin to clear out debris in dispensing nozzle
- Ratchet feature allows continuous flow
- Fits all standard silicone tubes

Part No.	Description
M90CG	Thermal mastic caulker

## Brushes & Tools

### Stainless Steel Wire Brushes – Special Order

- Ideal for cleaning welding tips and castings
- Removes weld burns, scale, paint and rust from all metal surfaces
- Three sizes complete with custom hardwood shaped handles



Part No.	Handle Length	Wire Configuration
Q594030	357mm (14")	3x18
Q594440	260mm (10-1/4")	4x16
Q591500	190mm (7-5/8")	20 Tufts*

\* Laced through handle

### Acid Brushes

Part No.	Size	Case Qty.
Q580001	1-3/8" (9mm) wide	Packed 144 per box

### Deburring Tool

- A fast, convenient, inexpensive deburring tool
- Ideal for stainless steel, eliminates costly filing
- Adjustable for all gauges
- Safely and quickly debur metal edges for easier handling
- Rotate blades to prolong tool life

Part No.	Description
DBR-1000	Adjustable deburring tool
DBR-1000-RR	Replacement rollers (pair)



## Pads & Brake Film

### Sound Pads



- Easy to apply
- Self adhering
- Immediate adhesion
- Controls noise, damps vibration in sheet metal
- The flexible aluminium backing follows any contour and matches stainless steel

Part No.	Size	Case Qty.
Q76-1250	90mm x 250mm x 2mm	10 per pack

### Tuff Brake Film – Special Order

- Die marks and sanding are eliminated
- Dies are protected
- Production costs decrease



#### Notes

- Used between press brake die and formed piece to eliminate brake marks and polishing. Protects expensive dies and decreases production costs.
- Cut off a piece of film the same length as your bottom die. Fasten edge of the film to the die using strip magnets, masking, duct or double faced tape for whichever surface you want to protect. Let the film "flop" over the die, begin forming.

Part No.	Size
Q80-4000	4" wide x 100' long x .015" (102mm x 30.5m x .4mm)

### Sait Abrasive Hand Pads

- For cleaning, finishing, polishing and blending
- May be used wet or dry
- Size: 6" x 9" (150mm x 225mm)



Model No.	Grade	Colour	Abrasive
AK7440AP	Heavy duty	Brown	Aluminium oxide
AK7446AP	Stainless steel	Black	Aluminium oxide
AK7447AP	General purpose	Maroon	Silicone carbide

## How To Find Us

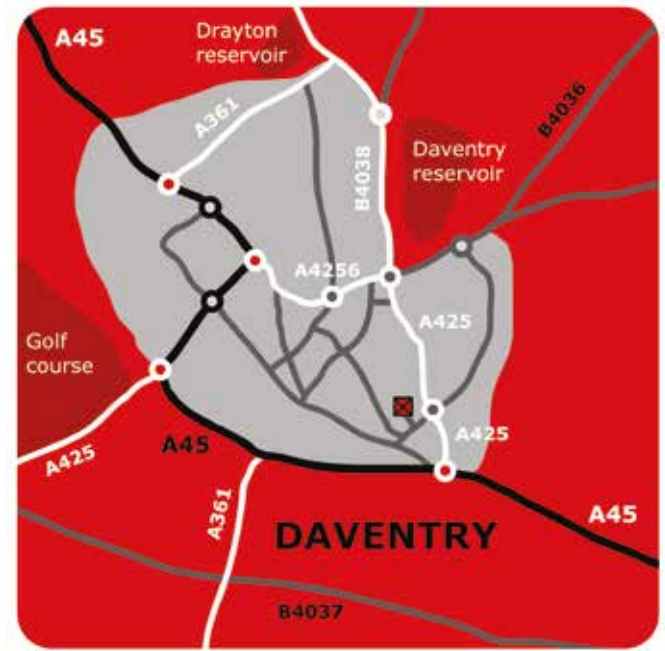
---

### Head Office

Die-Pat Divisions Limited  
The Die-Pat Centre  
Broad March  
Daventry  
Northamptonshire  
NN11 4HE

**Tel:** +44 (0)1327 311 144  
**Fax:** +44 (0)1327 871 821  
**Email:** sales@die-pat.co.uk  
**Website:** www.die-pat.co.uk

---



### Directions

#### From North

Exit M1 at Junction 18  
Follow A5 South to A361 signposted Daventry  
Follow A425 Northern Way, then South Way  
signposted to Long March Industrial Estate  
Take first right into Broad March  
Die-Pat is situated on the right hand side

#### From South

Exit M1 at Junction 16  
Follow A45 signposted Daventry  
At first roundabout take third exit onto South Way  
Take first left into Long March  
Take first right into Broad March  
Die-Pat is situated on the right hand side

---



# Celebrating 50 Years In Business **1966 - 2016**

Die-Pat Divisions Limited, The Die-Pat Centre, Broad March, Daventry, Northamptonshire NN11 4HE  
T 01327 311144 • E sales@die-pat.co.uk

---

[www.die-pat.co.uk](http://www.die-pat.co.uk)