



MADE IN ITALY

OUTDOOR KITCHEN COMPONENTS



A photograph of an outdoor dining area at night. In the foreground, a square stainless steel table with four matching chairs is set on a stone patio. The table is set with a white tablecloth, plates, glasses, and a bottle of wine. A lit candle in a holder sits on the table. In the background, a swimming pool is illuminated with blue lights, and a large rock formation is visible on the left. The sky is dark blue, and the overall atmosphere is serene and elegant.

ITALIAN DESIGN FOR AN AMERICAN WAY OF LIFE. FOR A COOL BARBECUE.

You never turn down an invitation to a barbecue, now you have the opportunity to make your outdoor barbecue area even more beautiful, original and practical. Ronda outdoor kitchen components gives you the maximum guaranteed protection to external elements such as temperature (-2°/+140°f) and bacterial agents thanks to the quality of the stainless steel, together with the style and the great quality of the Made in Italy by Ronda, the world leader in designing and producing stainless steel components for the café/restaurant and food industries.



MADE IN ITALY





TESTED FOR MORE THAN 80.000

MAINTENANCE-FREE
top-quality materials for long life

HYGIENE
simple forms for simple cleaning

ROBUST
a perfect balance between
loading capacity and durability



ITALIAN DESIGN, QUALITY, MODULARITY AND INTERNATIONAL STANDARDS

The drawer can hold any food container, from the 1/1 size up





MADE IN ITALY

4

rondaoutdoors.com



DETAILS THAT MAKE THE DIFFERENCE



Rubber Bumper Pads



Mechanically
Inserted Pin



Micro-Roller
Runner System



High-Resistance Acetal Resin
Roller With Quick Switch System

A photograph of a modern building's exterior. The image shows a large glass window reflecting the sky and a stone wall. The text "DESIGNED TO BE INTEGRATED WITH" is overlaid on the image in a black, sans-serif font. The background is slightly blurred, emphasizing the text.

DESIGNED TO BE INTEGRATED WITH



MADE IN ITALY

ENCASED OUTDOOR KITCHENS




RONDA
OUTDOORS
KITCHEN COMPONENTS

MADE IN ITALY



INSULATED COMPONENTS

TOTAL HYGIENE
AND SAFETY

INSULATED SINGLE DRAWERS

Enclosed single drawers with insulated front, watertight inside box and full length tracks completely made of AISI 304 Stainless Steel. External shell in composite material. Hermetic closure granted by a magnetic gasket.



QK11

NSF

INSULATED DOUBLE DRAWER UNITS

Enclosed drawer units with two independent insulated fronts, two watertight inside boxes and full length tracks completely made of AISI 304 Stainless Steel. External shell in composite material. Hermetic closure granted by a magnetic gasket.



QM11

NSF

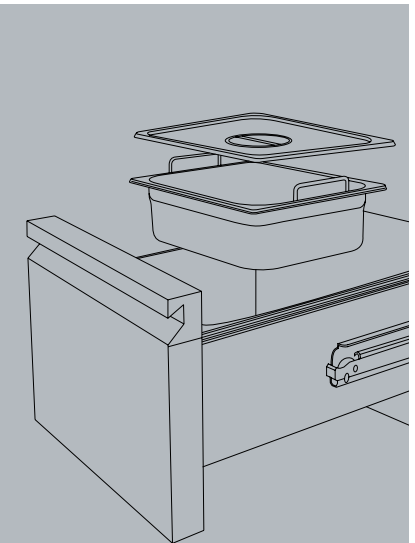
INSULATED DOUBLE DRAWER UNITS WITH ONE SINGLE FRONT

Enclosed drawer units with one single insulated front, two watertight inside boxes and full length tracks completely made of AISI 304 Stainless Steel. External shell in composite material. Hermetic closure granted by a magnetic gasket.



QM19

NSF



The insulated drawers are only meant to store ice and/or bottled refreshments.

Foodstuffs must be placed in food containers and sealed with a lid before being stored in the drawers.

INSULATED COMPONENTS

INSULATED SINGLE DRAWERS

QK11

INSULATED DOUBLE DRAWER UNITS

QM11

INSULATED DOUBLE DRAWER UNITS WITH ONE SINGLE FRONT

QM19



QK11

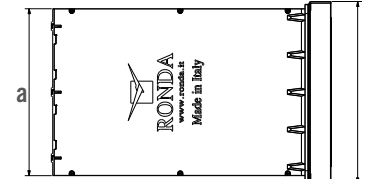
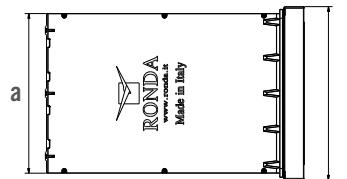
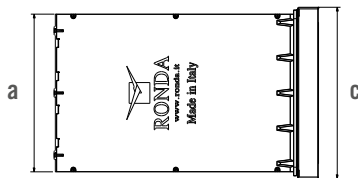
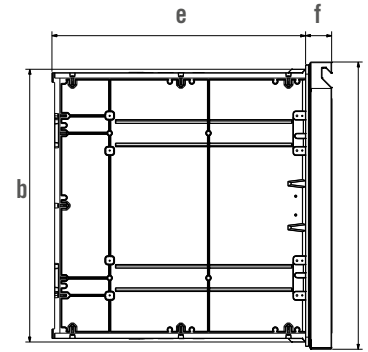
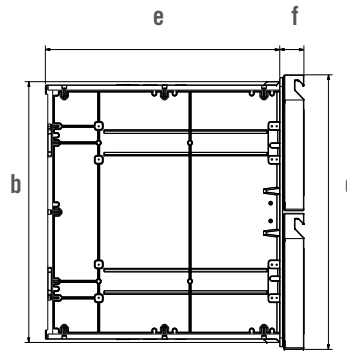
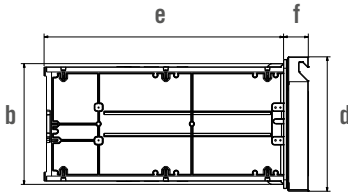


QM11



QM19

10



Legend

a/b: opening
c/d: dimensions of the drawer front
e: total depth of the item from the counter front
f: external projection from the counter front

Model	Opening		External and internal size				Gross weight	
	a	b	c	d	e	f	Kg	Lbs
QK11	380	291	413	324	577,5	59,5	18,10	40,00
	mm	15"	16 1/4"	12 3/4"	22 23/32"	2 11/32"		
	inch.	11 1/2"						

Model	Opening		External and internal size				Gross weight	
	a	b	c	d	e	f	Kg	Lbs
QM11	380	621	413	654	577,5	59,5	31,40	69,30
	mm	15"	16 1/4"	25 3/4"	22 23/32"	2 11/32"		
	inch.	24 1/2"						

Model	Opening		External and internal size				Gross weight	
	a	b	c	d	e	f	Kg	Lbs
QM19	380	621	413	654	577,5	59,5	30,10	66,40
	mm	15"	16 1/4"	25 3/4"	22 23/32"	2 11/32"		
	inch.	24 1/2"						

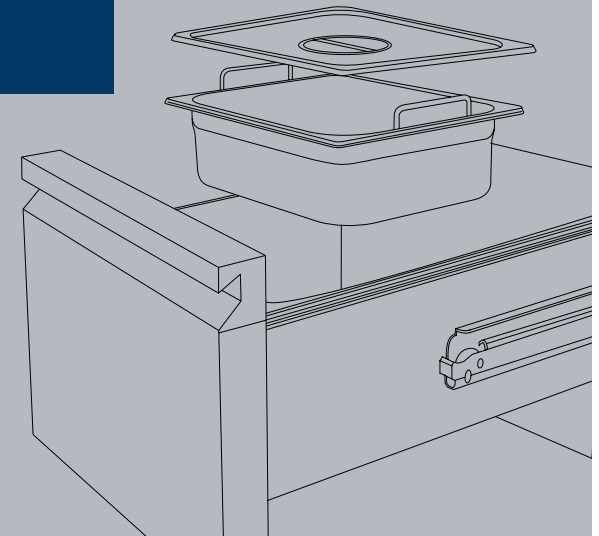
INSULATED COMPONENTS



TOTAL HYGIENE AND SAFETY

The insulated drawers are only meant to store ice and/or bottled refreshments.

Foodstuffs must be placed in food containers and sealed with a lid before being stored in the drawers.



- 1 The drawer inside box is watertight and can be filled with ice or warm water. This keeps bottled beverages & food containers at the ideal temperature (hot or cold).
- 4

- 2 The shape and size of the drawer box are specially studied to fit any composition of standard food containers & lids.

- 3 All corners & edges are rounded to allow safe and easy cleaning.



A PROJECT INSPIRED BY THE FASCINATION OF THE MODERNITY

The new line of outdoor kitchens products was created to enrich the American classic with all the style, elegance and functionality of the best from "Made in Italy". Enjoying a great moment with friends and family united with the Italian creativity; we believe is a winning recipe born from the Ronda passion for innovation and high quality. Ronda has been the world leader for over 40 years in the design and production of stainless steel components for the café/restaurant and food industries where quality and resistance as well as style are a must. Every Ronda product is created with the iso 9001/2000 certification quality stamp: every facet of production is closely controlled from the arrival of the material to the packaging. This is the reason Ronda is a European industrial reality whose mission is to spread the elegance of Italian style in the world.



MADE IN ITALY



MADE IN ITALY

TRASH CONTAINER

SPECIAL COMPONENTS

PULL-OUT TRASH DRAWERS

Enclosed drawers with front, watertight inside box and full length tracks completely made of AISI 304 Stainless Steel. External shell in composite material. Hermetic closure granted by a magnetic gasket. Equipped with two plastic trash containers with handles.



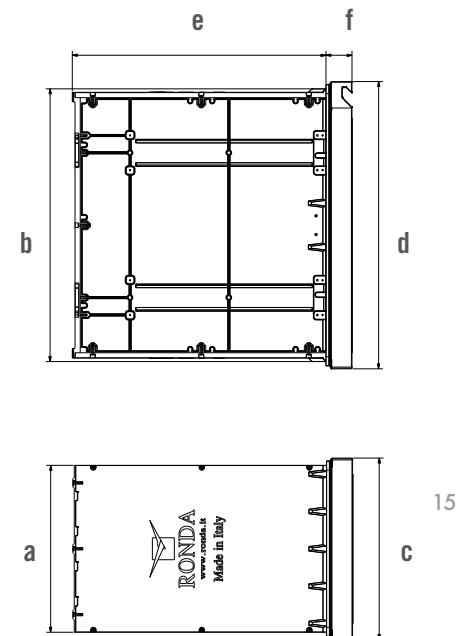
SPECIAL COMPONENTS

PULL-OUT TRASH DRAWER

QU211



QU211



Legend

a/ b: opening
 c/d: dimensions of the drawer front
 e: total depth of the item from the counter front
 f: external projection from the counter front

Model	Opening		External and internal size				Gross weight	
	a	b	c	d	e	f	Kg	Lbs
QU211								
mm	380	621	413	654	577,5	59,5	26,00	
inch.	15"	24½"	16¼"	25¾"	22¾/32"	2¼/32"	57,40	



A NEW CONCEPT
IN "COOL" FOR YOUR
OUTDOOR COOKING AREA



MADE IN ITALY



MADE IN ITALY



18



BASIC COMPONENTS

BASIC SINGLE DRAWERS

Single drawers with front, drawer box and self-supporting structure completely made of AISI 304 stainless steel. Hermetic closure granted by a magnetic gasket. Specially designed to store BBQ utensils and canned/packed food.



QK21

BASIC DOUBLE DRAWER UNITS

Drawer units with two identical fronts, two drawer boxes and self-supporting structure completely made of AISI 304 stainless steel. Hermetic closure granted by a magnetic gasket. Specially designed to store BBQ utensils and canned/packed food.



QM21

BASIC TRIPLE DRAWER UNITS

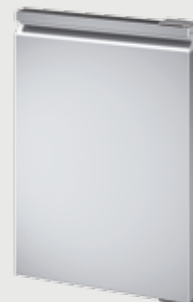
Drawer units with three fronts, three drawer boxes and self-supporting structure completely made of AISI 304 stainless steel. Hermetic closure granted by a magnetic gasket. Specially designed to store BBQ utensils and canned/packed food.



QR21

BASIC SINGLE DOORS

Single doors completely made of AISI 304 Stainless Steel, equipped with angular hinges either for right or left opening. Hermetic closure granted by a magnetic gasket.



QX21D
QX21S



BASIC DOUBLE DOORS

Double doors completely made of AISI 304 Stainless Steel, equipped with angular hinges and 1 single magnetic gasket to grant hermetic closure.



QL21
QL22

BASIC COMPONENTS

BASIC SINGLE DRAWERS

QK21

BASIC DOUBLE DRAWER UNITS

QM21

BASIC TRIPLE DRAWER UNITS

QR21



QK21

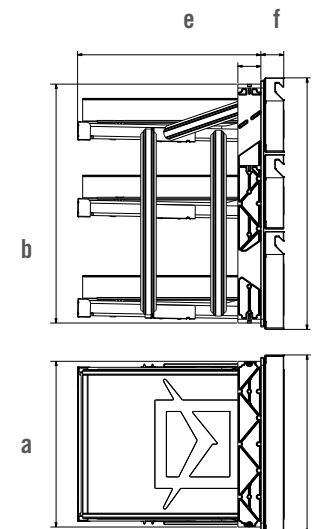
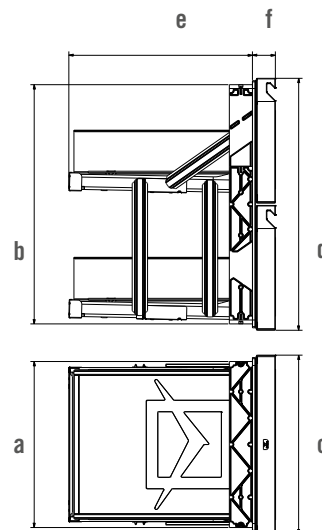
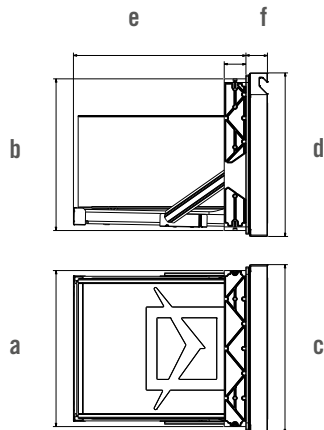


QM21



QR21

20



Legend

a/b: opening
c/d: dimensions of the drawer front
e: total depth of the item from the counter front
f: external projection from the counter front

Model	Opening		External and internal size				Gross weight	
	a	b	c	d	e	f		
QK21								
mm	431	419	464	452	477	59,5	Kg	13,00
inch.	17"	16½"	18¾"	17 13/16"	18 25/32"	2 11/32"	Lbs	28,70

Model	Opening		External and internal size				Gross weight	
	a	b	c	d	e	f		
QM21								
mm	431	621	464	654	477	59,5	Kg	18,80
inch.	17"	24½"	18¾"	25¾"	18 25/32"	2 11/32"	Lbs	41,50

Model	Opening		External and internal size				Gross weight	
	a	b	c	d	e	f		
QR21								
mm	431	621	464	654	477	59,5	Kg	22,30
inch.	17"	24½"	18¾"	25¾"	18 25/32"	2 11/32"	Lbs	49,20

BASIC COMPONENTS

BASIC SINGLE DOORS

QX21D
QX21S

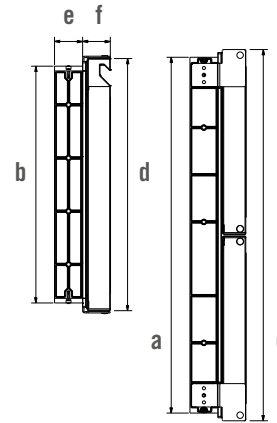
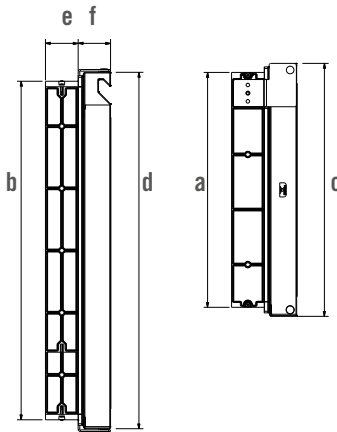
BASIC DOUBLE DOORS

QL21
QL22



QX21D
QX21S

QL21
QL22



Model	Opening		External and internal size				Gross weight	
	a	b	c	d	e	f		
QX21D								
mm	431	621	464	654	60	59,5	Kg	9,20
inch.	17"	24½"	18¾"	25¾"	2⅜"	2⅜"	Lbs	20,30
QX21S								
mm	431	621	464	654	60	59,5	Kg	9,20
inch.	17"	24½"	18¾"	25¾"	2⅜"	2⅜"	Lbs	20,30

Model	Opening		External and internal size				Gross weight	
	a	b	c	d	e	f		
QL21								
mm	762	507	795	540	60	59,5	Kg	13,80
inch.	30"	20"	31⅝"	21¼"	2⅜"	2⅜"	Lbs	30,50
QL22								
mm	863	507	896	540	60	59,5	Kg	14,60
inch.	34"	20"	35¾"	21¼"	2⅜"	2⅜"	Lbs	32,20





RONDA OUTDOORS: KITCHEN COMPONENTS






RONDA
OUTDOORS
KITCHEN COMPONENTS

M A D I N I T A L Y



ACCESSORIES

FOOD CONTAINERS WITH HANDLES

Standard food containers completely made of AISI 304 Stainless Steel, in compliance with the UNI EN 631-1 and the UE 1935/2004 Directive for food use. Available in different sizes. Equipped with handles to be easily inserted into the drawers. We recommend to use food containers in combination with their own lids.



GNA

LIDS NOTCHED FOR HANDLES

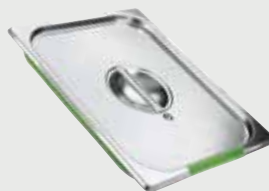
Standard food lids completely made of AISI 304 Stainless Steel, in compliance with the UNI EN 631-1 and the UE 1935/2004 Directive for food use. They are notched to be used with handled food containers. Available in different sizes to fit the food containers.



GNK

SPILLPROOF LIDS NOTCHED FOR HANDLES

Standard food lids completely made of AISI 304 Stainless Steel, in compliance with the UNI EN 631-1 and the UE 1935/2004 Directive for food use. They are notched to be used with handled food containers and equipped with a silicon seal to avoid spilling when the containers are filled with liquids. Available in different sizes to fit the food containers.



GNX

ROUND SINKS

Standard round sink can be top mounted, made of AISI 304 Stainless Steel and equipped with waste pipe.



VRI

SQUARE SINKS

Standard square sink can be mounted, made of AISI 304 Stainless Steel and equipped with waste pipe.



VDI

ACCESSORIES

FOOD CONTAINERS WITH HANDLES

GNA

LIDS NOTCHED
FOR HANDLES

GNK

SPILLPROOF LIDS
NOTCHED FOR HANDLES

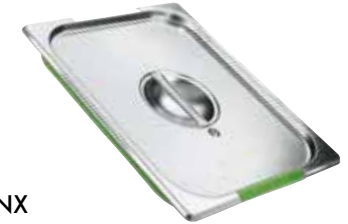
GNX



GNA



GNK



GNX

	Model	Depth		External size		Internal size		Capacity		Box
		h		a x b		c x d		Lt.	Gal.	
		mm	inch	mm	inch	mm	inch			
26	GNA 1106	65	2 ⁹ / ₁₆ "	530x325	20 ⁷ / ₈ "x12 ¹³ / ₁₆ "	505x300	19 ⁷ / ₈ "x11 ¹³ / ₁₆ "	9	2,37	10
	GNA 1110	100	4"	530x325	20 ⁷ / ₈ "x12 ¹³ / ₁₆ "	505x300	19 ⁷ / ₈ "x11 ¹³ / ₁₆ "	14	3,69	10
	GNA 1120	200	8"	530x325	20 ⁷ / ₈ "x12 ¹³ / ₁₆ "	505x300	19 ⁷ / ₈ "x11 ¹³ / ₁₆ "	28	7,39	5
26	GNA 1206	65	2 ⁹ / ₁₆ "	325x265	12 ¹³ / ₁₆ "x10 ⁷ / ₁₆ "	300x240	11 ¹³ / ₁₆ "x9 ⁷ / ₁₆ "	4	1,05	10
	GNA 1210	100	4"	325x265	12 ¹³ / ₁₆ "x10 ⁷ / ₁₆ "	300x240	11 ¹³ / ₁₆ "x9 ⁷ / ₁₆ "	6,5	1,71	10
	GNA 1220	200	8"	325x265	12 ¹³ / ₁₆ "x10 ⁷ / ₁₆ "	300x240	11 ¹³ / ₁₆ "x9 ⁷ / ₁₆ "	12,5	3,17	10
26	GNA 1306	65	2 ⁹ / ₁₆ "	325x176	12 ¹³ / ₁₆ "x6 ¹⁵ / ₁₆ "	300x151	11 ¹³ / ₁₆ "x5 ¹⁵ / ₁₆ "	2,5	0,52	10
	GNA 1310	100	4"	325x176	12 ¹³ / ₁₆ "x6 ¹⁵ / ₁₆ "	300x151	11 ¹³ / ₁₆ "x5 ¹⁵ / ₁₆ "	4	1,05	10
26	GNA 2806	65	2 ⁹ / ₁₆ "	325x132	12 ¹³ / ₁₆ "x5 ⁹ / ₁₆ "	300x107	11 ¹³ / ₁₆ "x4 ⁷ / ₃₂ "	1,5	0,26	10
	GNA 2810	100	4"	325x132	12 ¹³ / ₁₆ "x5 ⁹ / ₁₆ "	300x107	11 ¹³ / ₁₆ "x4 ⁷ / ₃₂ "	2,7	0,53	10

	Model	External size		Box
		a x b		
		mm	inch	
26	1/1 GNK 11	530x325	20 ⁷ / ₈ "x12 ¹³ / ₁₆ "	10
	1/2 GNK 12	325x265	12 ¹³ / ₁₆ "x10 ⁷ / ₁₆ "	10
26	1/3 GNK 13	325x176	12 ¹³ / ₁₆ "x6 ¹⁵ / ₁₆ "	20
	2/8 GNK 28	325x132	12 ¹³ / ₁₆ "x5 ⁹ / ₁₆ "	20

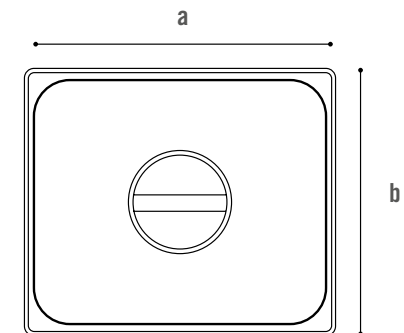
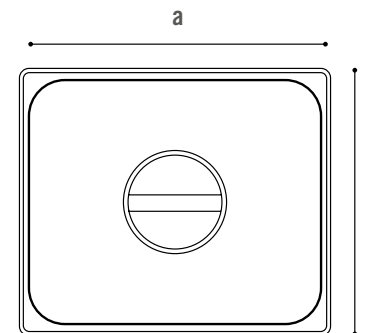
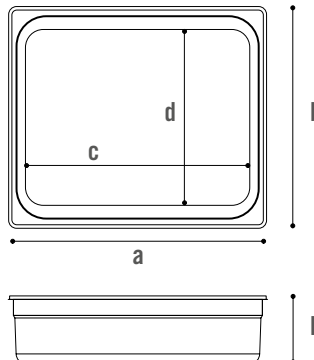
	Model	External size		Box
		a x b		
		mm	inch	
26	1/1 GNX 11	530x325	20 ⁷ / ₈ "x12 ¹³ / ₁₆ "	10
	1/2 GNX 12	325x265	12 ¹³ / ₁₆ "x10 ⁷ / ₁₆ "	10
26	1/3 GNX 13	325x176	12 ¹³ / ₁₆ "x6 ¹⁵ / ₁₆ "	20

1/1
530 x 325 mm
20⁷/₈" x 12¹³/₁₆"

1/2
325 x 265 mm
12¹³/₁₆" x 10⁷/₁₆"

1/3
325 x 176 mm
12¹³/₁₆" x 6¹⁵/₁₆"

2/8
325 x 132 mm
12¹³/₁₆" x 5⁹/₁₆"



ACCESSORIES

ROUND SINKS

VRI



VRI

Model	Opening	External and internal size							Capacity	Box
VRI38	a (∅)	c (∅)	e	f (∅)	g	h	i			
mm	382	380	84	1½"	45	164	27	Lt.	16,5	
inch.	15½"	14¾"	3⅜"	1⅝"	6⅝"	1⅞"		Gallons	4,36	
VRI42	a (∅)	c (∅)	e	f (∅)	g	h	i			
mm	422	420	82	1½"	45	165	25	Lt.	21,5	
inch.	16⅝"	16⅞"	3⅞"	1⅝"	6½"	0¾"		Gallons	5,68	

SQUARE SINKS

VDI



VDI

Model	Opening	External and internal size											Capacity	Box
VDI40201D	a	b	c	d	e	f (∅)	g	h	i	r	ri			
mm	402	402	400	400	90	1½"	34	200	10	6	65	Lt.	25	
inch.	15⅞"	15⅞"	15¾"	15¾"	3⅞"	1½"	1⅞"	7⅞"	0⅞"	0¼"	2⅞"	Gallons	6,60	
VDI40201S	a	b	c	d	e	f (∅)	g	h	i	r	ri			
mm	402	402	400	400	90	1½"	34	200	10	6	65	Lt.	25	
inch.	15⅞"	15⅞"	15¾"	15¾"	3⅞"	1½"	1⅞"	7⅞"	0⅞"	0¼"	2⅞"	Gallons	6,60	

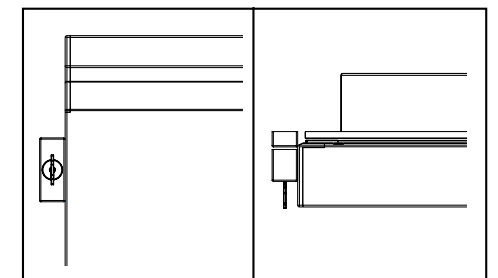
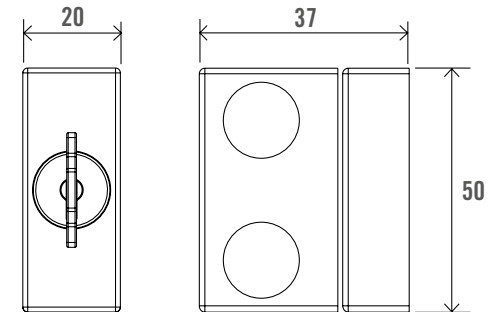
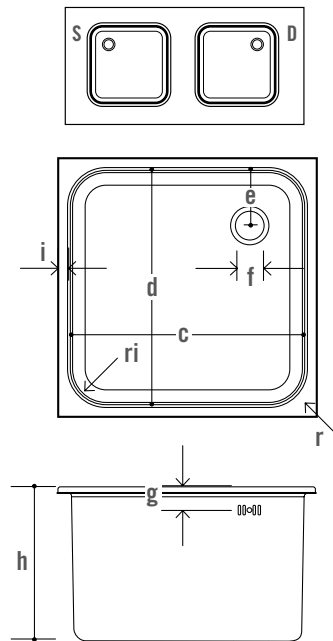
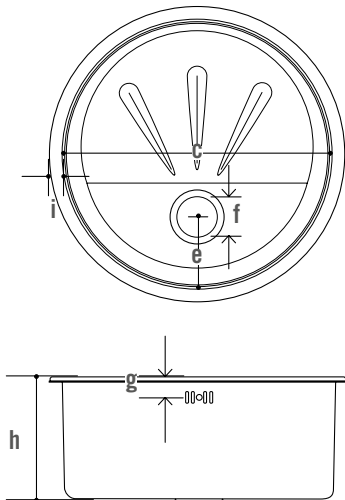
LOCK

S7



Model	Description
S7	External lock to be fixed after installation

27







RONDA, AN ITALIAN HISTORY

Design, technology and functionality are the aims that Ronda has been pursuing for more than 45 year in the planning and realisation of its products.

Ronda is the leading company in the production of stainless steel components "doors, drawers, food containers, sink bowls..." for bar fittings and professional kitchens. Ronda's quality and design have asserted themselves in the main European markets, spreading worldwide the elegance of the Italian style.

All Ronda products are subject to the most severe quality tests as the ho.re.ca sector requires not only ergonomics and elegance, but also resistance and durability.



rondaoutdoors.com



Ronda Outdoors produced by:

Ronda S.p.A.

Via Vegri, 83

36010 Zané, Vicenza, Italy

Phone +39 0445 385600

Fax +39 0445 385700

www.rondaoutdoors.com

sales@ronda.it

vendite@ronda.it