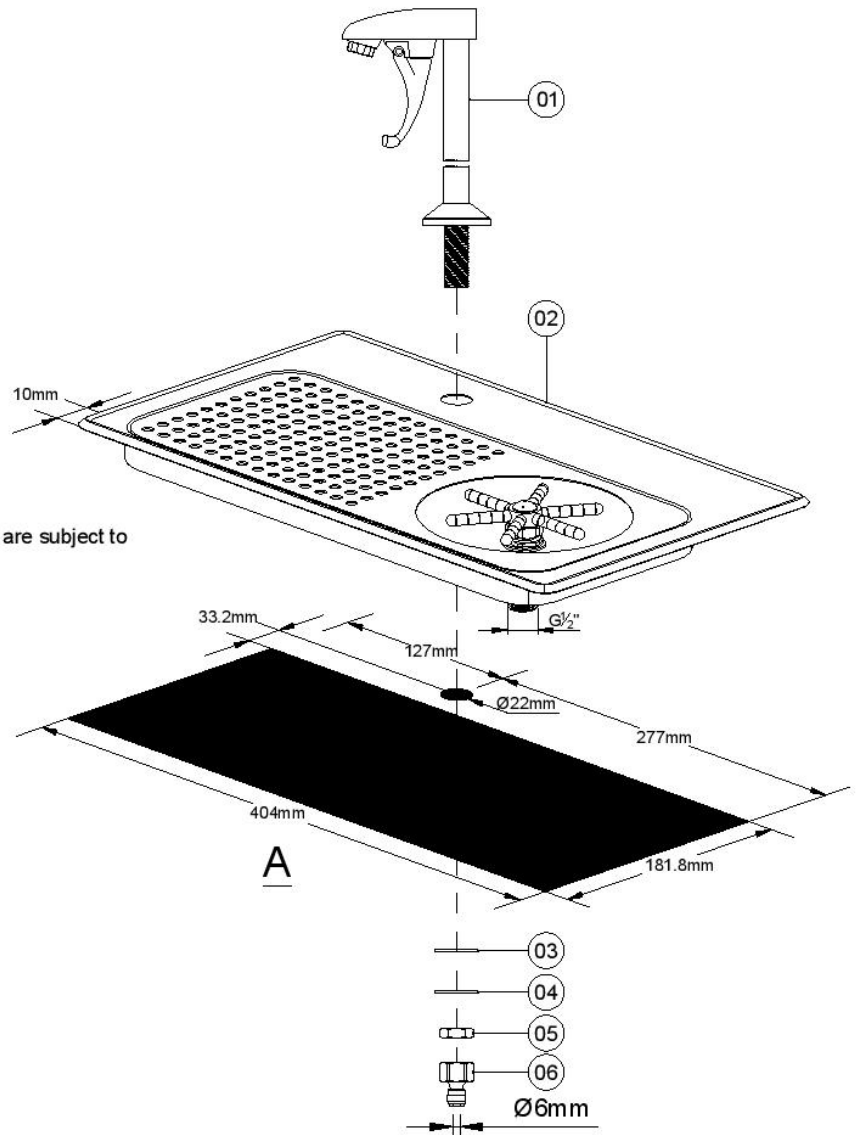


When you open the product package, firstly, please check carefully the accessories according to following Part Number guide drawing. If you found any parts missing, please contact your local dealer or our factory soonest.

Attention: Be sure to read all the contents of this installation manual before installation

Part Number Guide		
		QUANTITY
1	Body	1
2	Stainless steel tray	1
3	Washer	1
4	Washer	1
5	Locknut	1
6	Adaptor	1



*All diagram here are for reference only, specifications are subject to the physical products.

Technical data:
 Product Name:
 Water bubbler faucet
 Media: Water
 Safety pressure: 0.4Mpa
 Hyper pressure scale: $\pm 10\%$
 Working temperature: 85 °C
 Execution standard:
 Food grade CE certification
 WRAS British Drinking Water Safety Certification
 ACS French Health Certification
 NSF American Certification
 CQC China Product Certification
 Install connection: G1/2"

Installing cautions:

- This faucet has been professionally tested and adjusted, please do not disassemble and assemble by yourself.
- Please clean the inlet pipe before installation, to avoid faucet clogged up, affect the normal water.
- The size of deck mounting shall be subject to the A of the above diagram.
- Please check the sealing condition of each joint after the installation, Important to make surer no leakage.