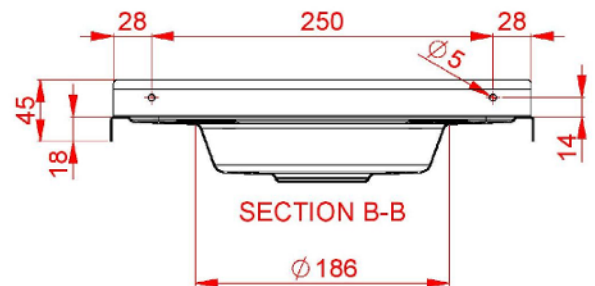
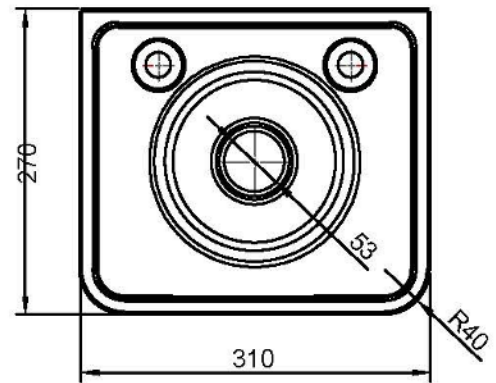
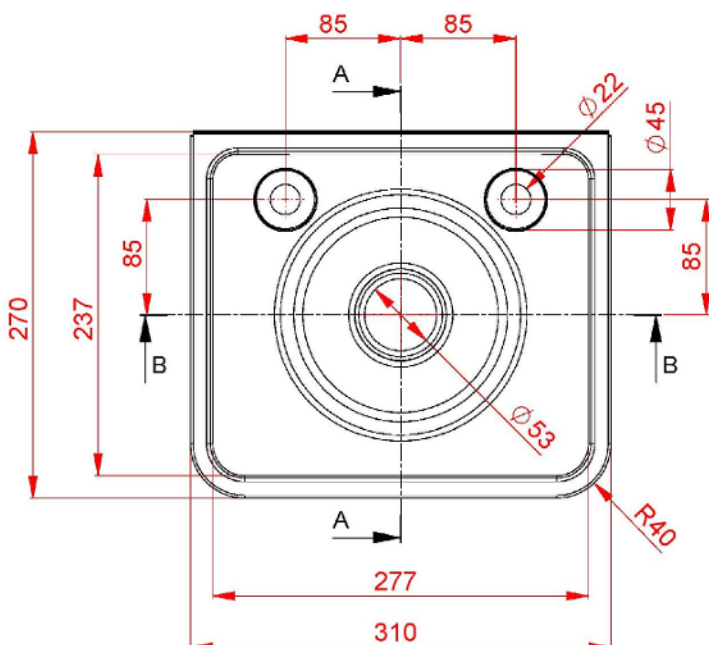




- Stainless steel drinking fountain with bottle filler & water bubbler
- Robust
- Compact to optimise space
- Economical
- Hygienic and easy to clean
- Environmentally friendly



Material	304 stainless steel
Overall dimensions (mm)	310 x 270
Taphole dia (mm)	22
Bowl dia (mm)	186
Tap	3/8" BSP, 3/8" brass back nut and rubber washer, 3/8" BSP connector with a 15mm compression fitting. Bubbler & filler valves with push button to dispense drinking water. Replaceable internal cartridge on bubbler tap.



Also available with taps only, WRAS approved water bubbler only, or WRAS approved bottle filler only.