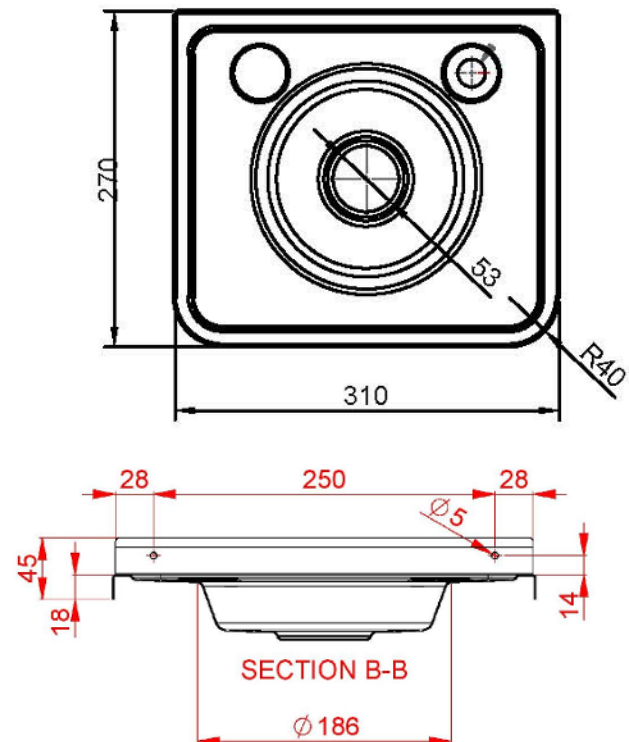
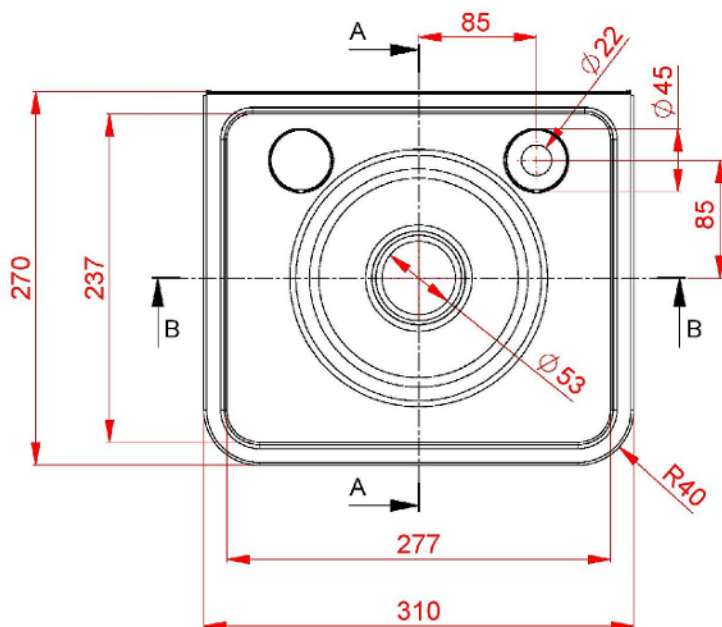




- Stainless steel drinking fountain with bottle filler
- Robust
- Compact to optimise space
- Economical
- Hygienic and easy to clean
- Environmentally friendly



Material	304 stainless steel
Overall dimensions (mm)	310 x 270
Tap hole dia (mm)	22
Bowl dia (mm)	186
Tap	3/8" BSP, 3/8" brass back nut and rubber washer. Filler valve with push button to dispense drinking water



Also available with taps only , a WRAS approved water bubbler, or as a complete kit.