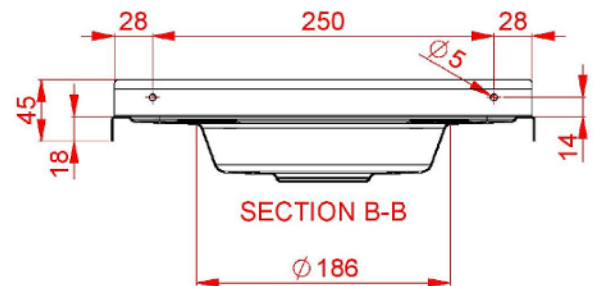
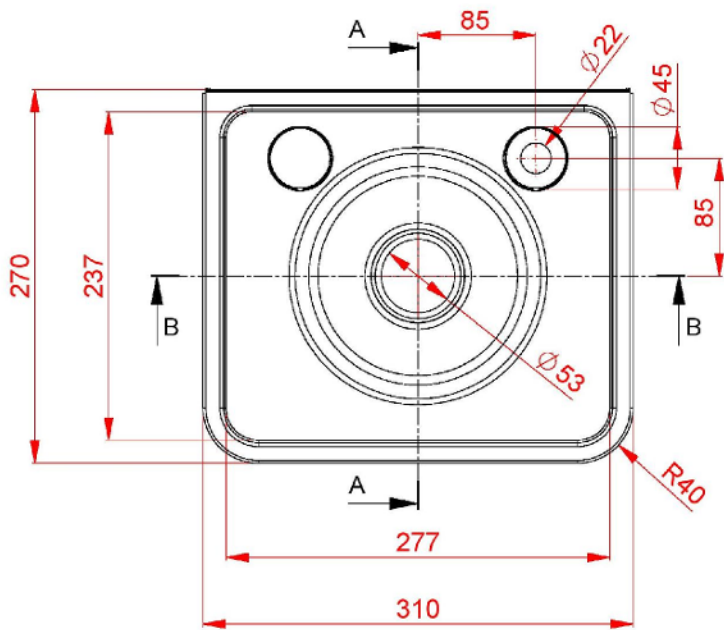
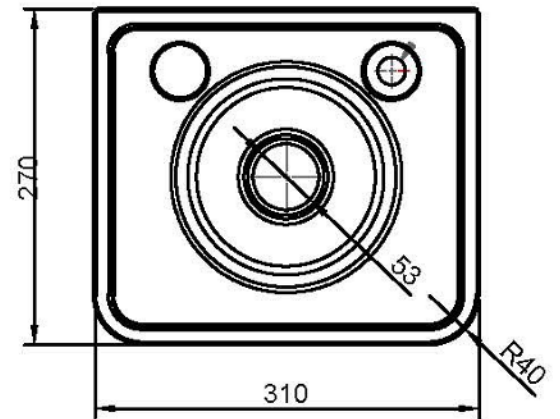




- Stainless steel drinking fountain with 1 taphole
- Robust
- Compact to optimise space
- Economical
- Hygienic and easy to clean
- Environmentally friendly

Material	304 stainless steel
Overall dimensions (mm)	310 x 270
Taphole dia (mm)	22
Bowl dia (mm)	186



Also available with WRAS approved bottle filler, water bubbler, or as a complete kit.