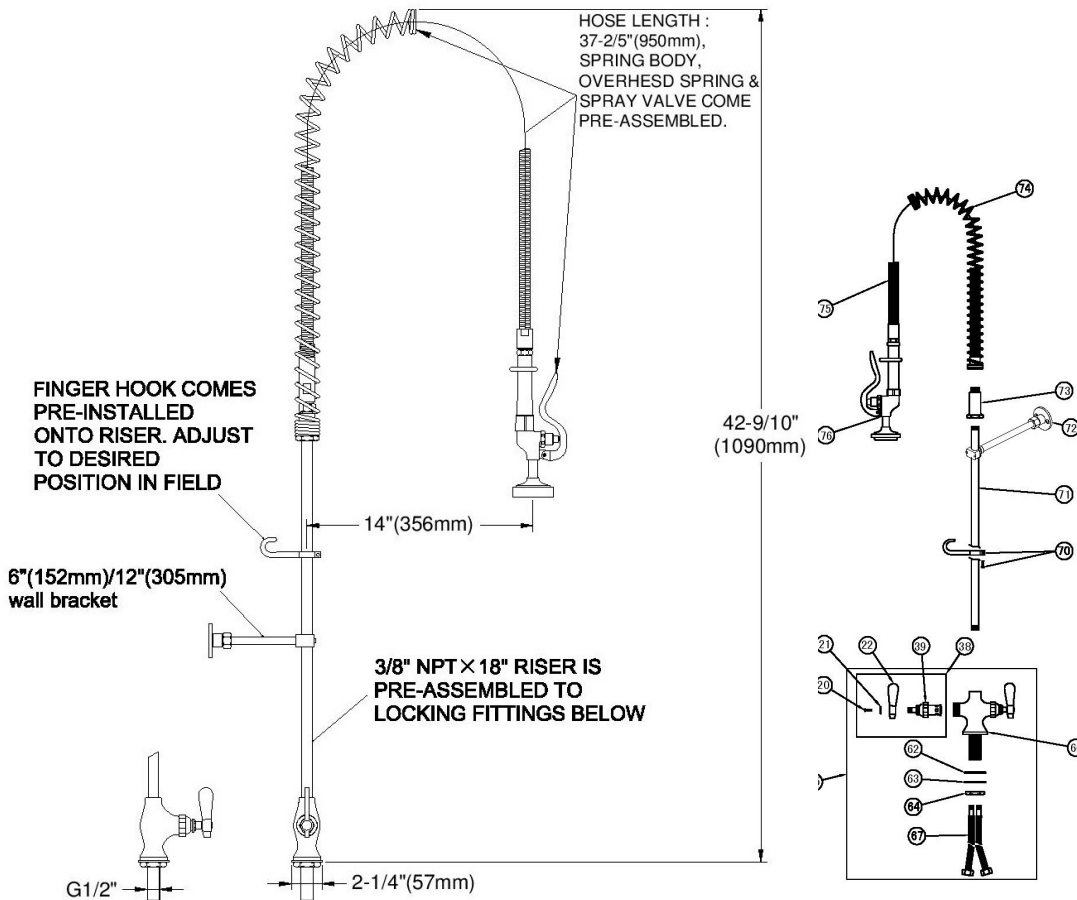




- Single deck mounted pre-rinse unit
- Supplied with flexible hose and wall bracket
- **Optional bowl-filling tap (6", 8" or 12")**
- High quality components for commercial use
- WRAS approved
- Replacement accessories available

- 20" (510mm) riser brass pipe
- 44" (1118mm) flexible stainless steel hose
- Santoprene inner pipe
- 6" (152mm) or 12" (305mm) wall bracket
- Includes check valve to prevent cross flow
- Spray valve conforms to ANSI/ASTM F2324-03



20	Screw, Lever, Handle
21	Index Button
22	Lever Handle
38	Asm, Lever Handle (LH)
39	Asm, Spdl LH-Eterna W/SPring
62	O-Ring
63	Level
64	Locknut, Shank
65	Asm, Body
66	Body, Faucet
67	Flexible Hose
70	Assembly, Finger Hook & Screw
71	Nipple, 3/8" x 24
72	Wall Bracket
73	Spring Body
74	Spring, Overhead
75	Assembly Flex S/S Hose
76	Assembly Spray Valve