

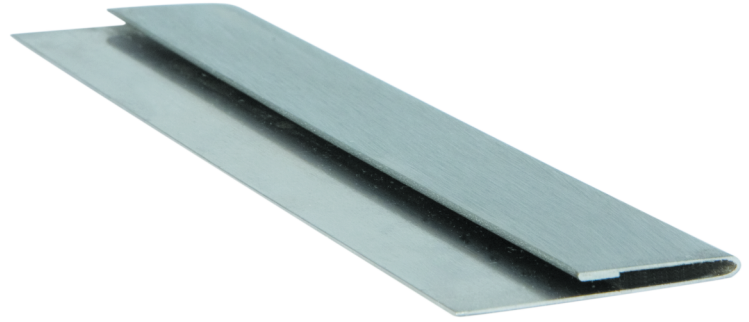


Cap Strip

New length - 2.5M

J631451-2.5

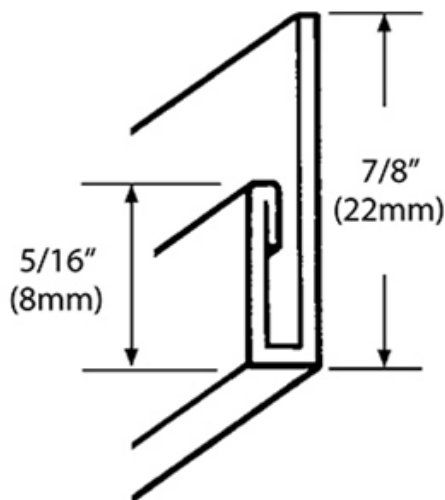
Acting on customer feedback, we have modified our Capping Strip and from mid-February we can supply the same high quality product in lengths of 2.5M (currently 2.4M) to fit standard 2.5M stainless steel sheets.



2.5M lengths available from stock mid-February - order product code J631451-2.5

2.4M lengths currently held in stock for next day delivery - order product code J631451-8

TECHNICAL SPECIFICATION



- Stainless steel construction
- Accepts 1.6mm wall flashing material
- Bright annealed finish
- Individually plastic sleeved for protection of finish
- 2.4M lengths in stock
- 2.5M lengths in stock mid February
- Box quantity of 25

www.die-pat.co.uk/cap-strip

For further information please contact our sales team on
01327 311144 - sales@die-pat.co.uk - www.die-pat.co.uk