

## Deck Mounted Mixer Tap c/w 6" Levers



**Product**  
6100/6/D

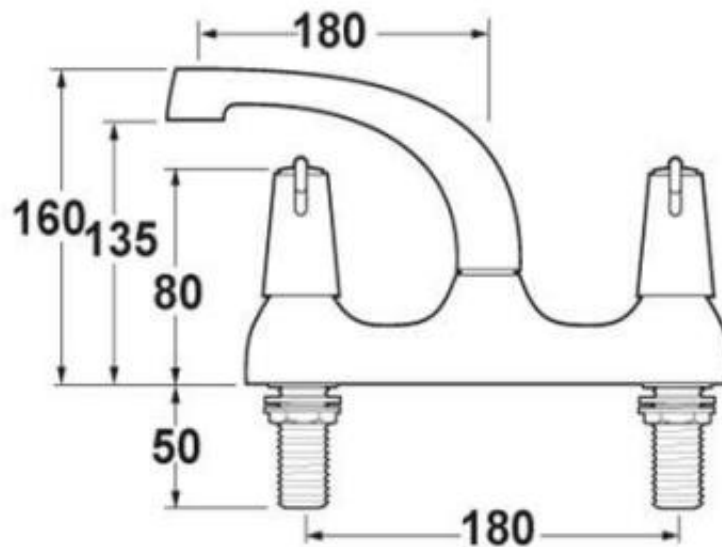
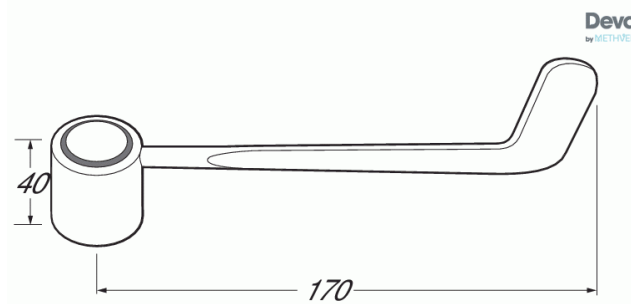
**Description**  
Deck mounted sink mixer tap with 6" levers



### Benefits

- ¼ turn ceramic disc for rapid on/off flow
- Swivelling spout and divided flow
- Chrome finish
- WRAS approved

*In accordance with our policy of continued development we reserve the right to alter design and specifications without prior notification*



**DIE-PAT DIVISIONS LIMITED**

The Die-Pat Centre | Broad March | Daventry NN11 4HE

Tel: 01327 311144 [www.die-pat.co.uk](http://www.die-pat.co.uk)

Created: 30/08/17

Last revised: 30/08/17