



Divider Bar New length - 2.5 m

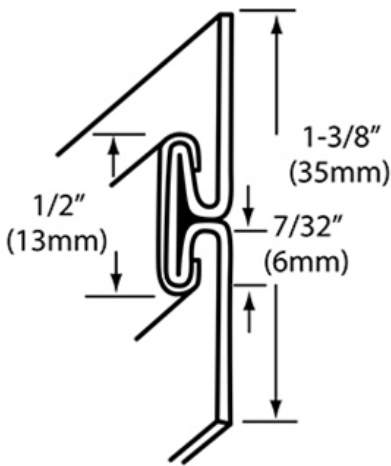
J641450-2.5

Acting on customer feedback, we have modified our Divider Bar and can now supply the same high quality product in lengths of 2.5m (previously 2.4m) to fit standard 2.5m S/S sheets.



IN STOCK
NEXT DAY
DELIVERY

SPRING PRODUCT SPOTLIGHT

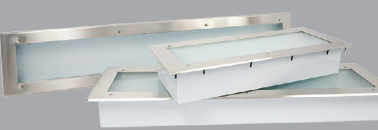


- Stainless steel face , galvanised back plate
- Accepts 1/16" (1.6mm) wall flashing material
- Bright Annealed finish
- Individually plastic sleeved for protection of finish
- Now available in 2.5m lengths
- Box quantity of 25

www.die-pat.co.uk/divider-bar

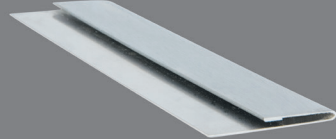
Complimentary products...

L82 Canopy Hood Lights



2ft, 3ft & 4ft options available

Cap Strip



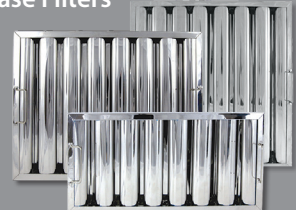
J631451-8

Silicone Sealant



M90 Range

Stainless Steel Baffle
Grease Filters



F91 Range

For more information on any of our products, please contact our customer service team on
01327 311144 or sales@die-pat.co.uk www.die-pat.co.uk