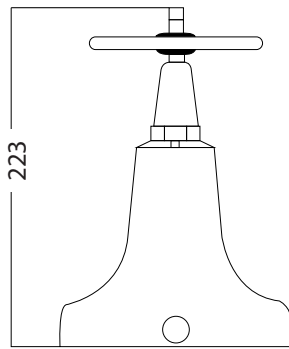
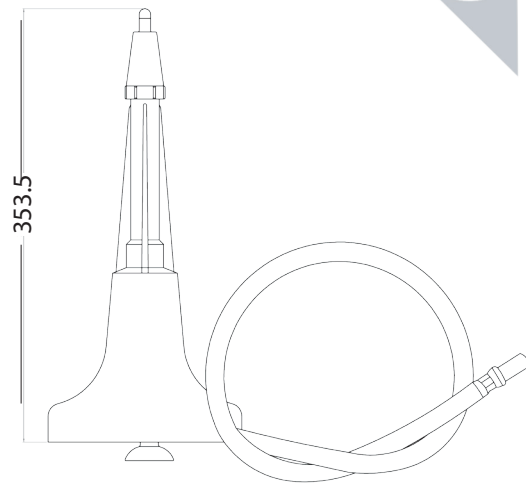


CONTAINER RINSER | CR01C



Option 1

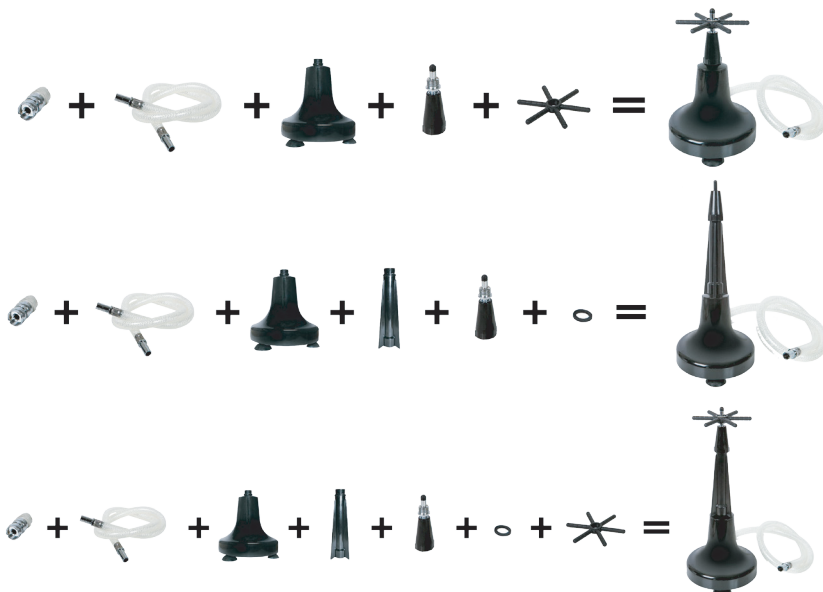


Option 2

TECHNICAL INFORMATION

Part number	CR01C	
Material	Polycarbonate with stainless steel nozzle	
Dimensions (option 1)	223mm (H)	
Dimensions (option 2)	353.5mm (H)	
Flow rate	Water pressure	GPM on outlet
	0.1Mpa	3.7L/MIN (0.98GPM)
	0.2Mpa	5.4L/MIN (1.43GPM)
Connection	Directly to faucet	
Warranty	1 year from date of purchase (back to base)	
Capacity	Cleans containers up to 2 litres	

ACCESSORIES INCLUDED:



For more information on any of our products, please contact our sales team on **01327 311144**

The Die-Pat Centre | Broad March | Daventry | NN11 4HE | www.die-pat.co.uk

