

Shaded Pole Fans

Shaded Pole fans offer high performance, low noise and durability.

Shaded Pole fans are constructed from a metal die-cast body (spider) and offered in a number of design configurations. Fitted to the body construction is the coil, with standard 6.3mm x 0.8mm terminal connections. The body section is completed by incorporating the bearing race and a small cooling fan located on the fan blade shaft.

All fans can be offered with either ball bearing or linear sleeve rollers. Applications include hot cabinets, control panel compartments, commercial ovens and airflow cavities.



Part No. C20X0E01/36CL.H

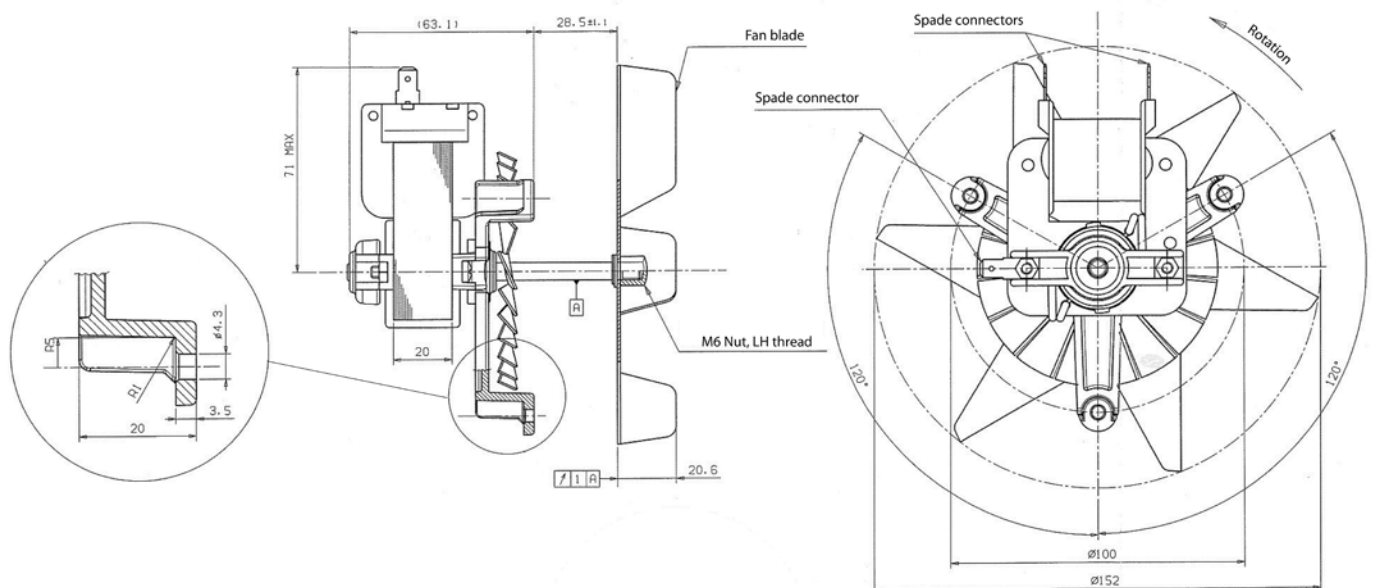


Part No. TP-1 Optional fixing plate

Part No.	Description
C20X0E01/36CL.H	Shaded pole fan
TP-1	Triangular fixing plate

Specifications

- Rating: 220-240 volts
- Frequency: 50/60 Hz
- Motor power: 32 W
- Operating temp: Ball bearing: -40°C to 70°C
- Sleeve bearing: -20°C to 70°C
- Life expectancy: Ball bearing: over 40,000 hrs (at 40°C)
- Sleeve bearing: 15,000 hrs (at 40°C)
- Safety approval: UL, CUL, CSA and VDE



All dimensions are in mm.